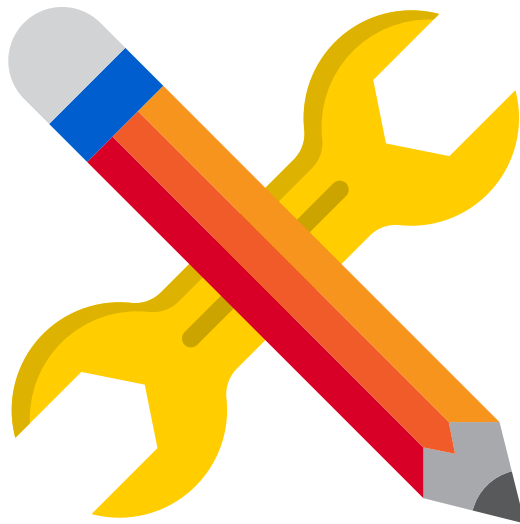
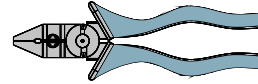
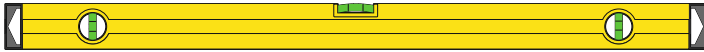
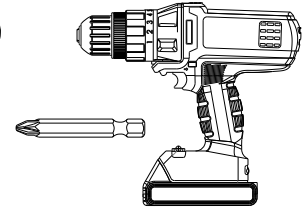
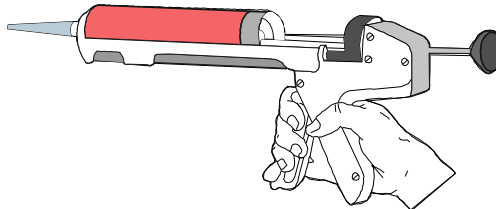
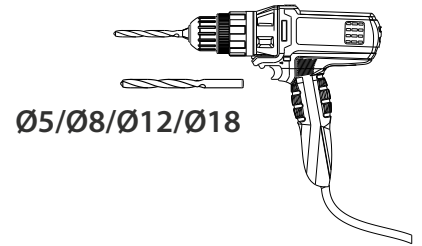


Slider Next Family

Installation



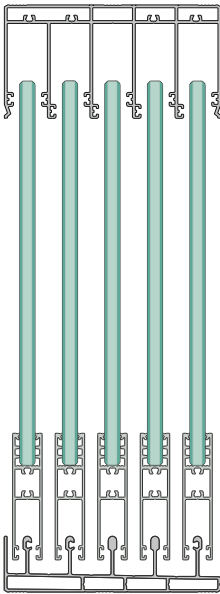
All you need for installation;



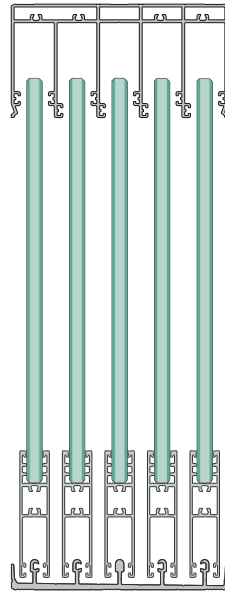
Systems to be Installed:

<p>All Glass Slider Next 8&10 Panels</p>		<p>103</p>
<p>All Isolation Slider Next 8&10 Panels</p>		<p>79</p>

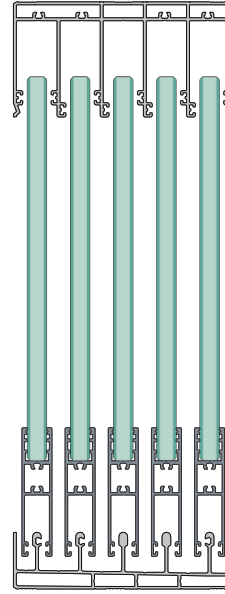
All Glass System Installation



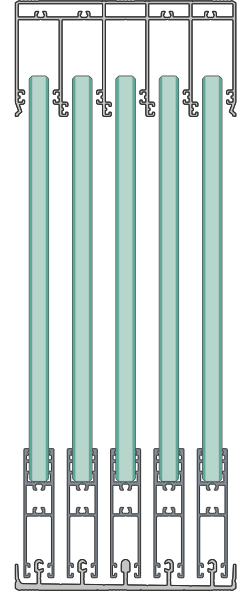
**All Glass
Slider Next 8**
with
threshold bottom rail



**All Glass
Slider Next 8**
with
flat bottom rail



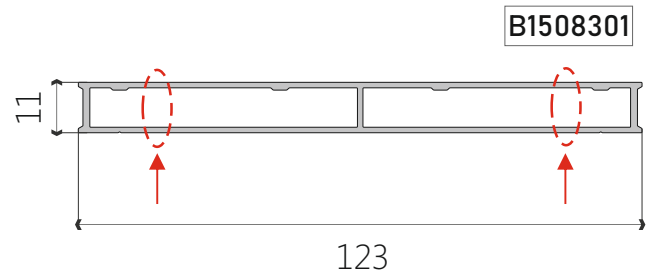
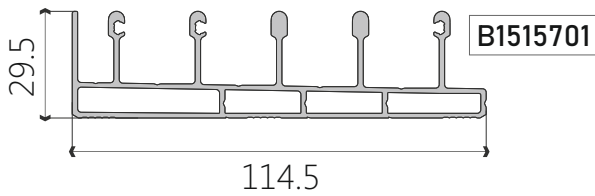
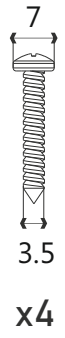
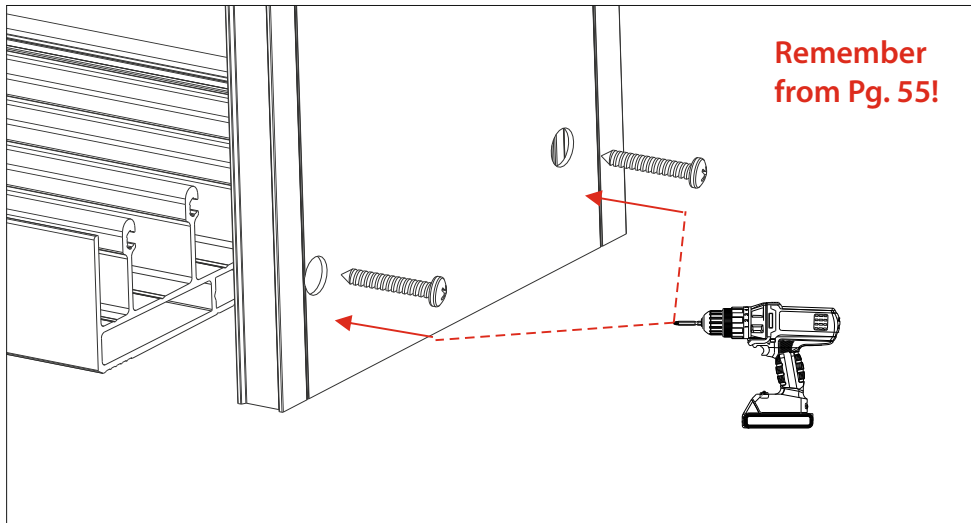
**All Glass
Slider Next 10**
with
threshold bottom rail



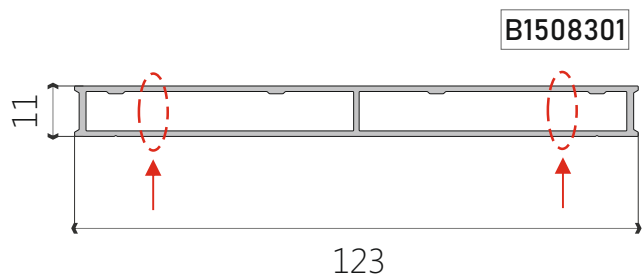
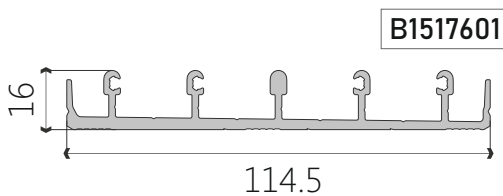
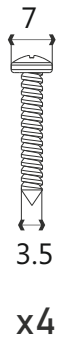
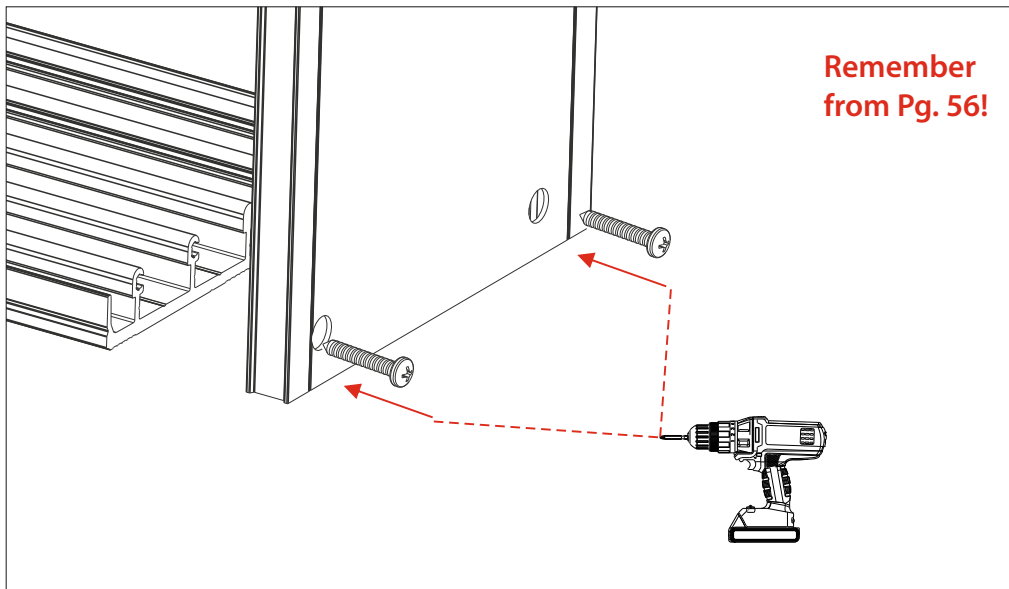
**All Glass
Slider Next 10**
with
flat bottom rail

1

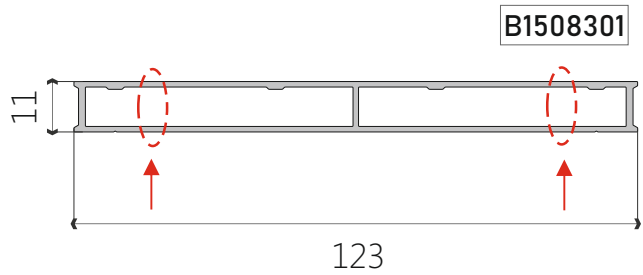
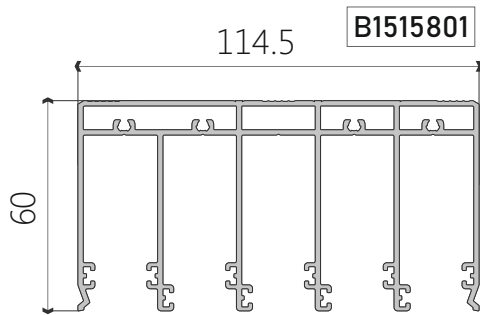
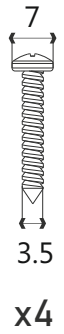
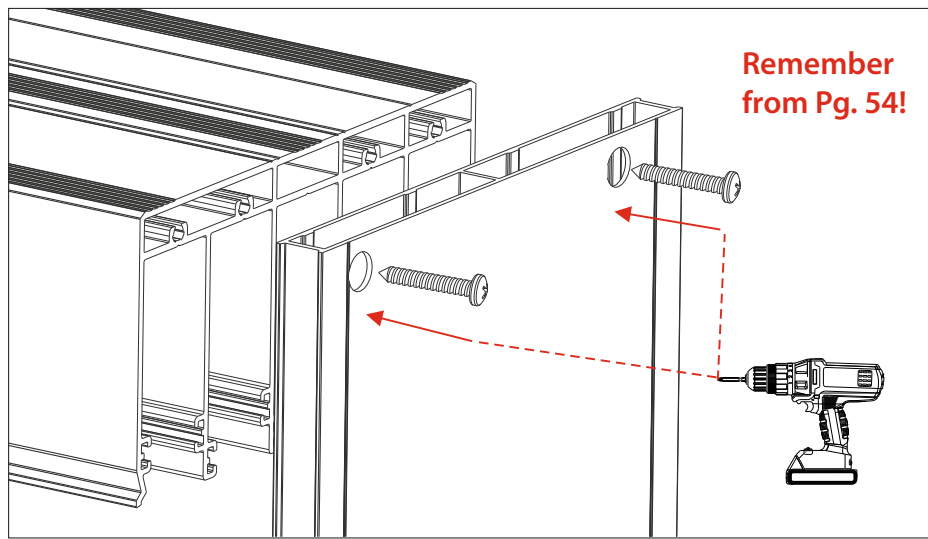
First Option!
(threshold
bottom rail)



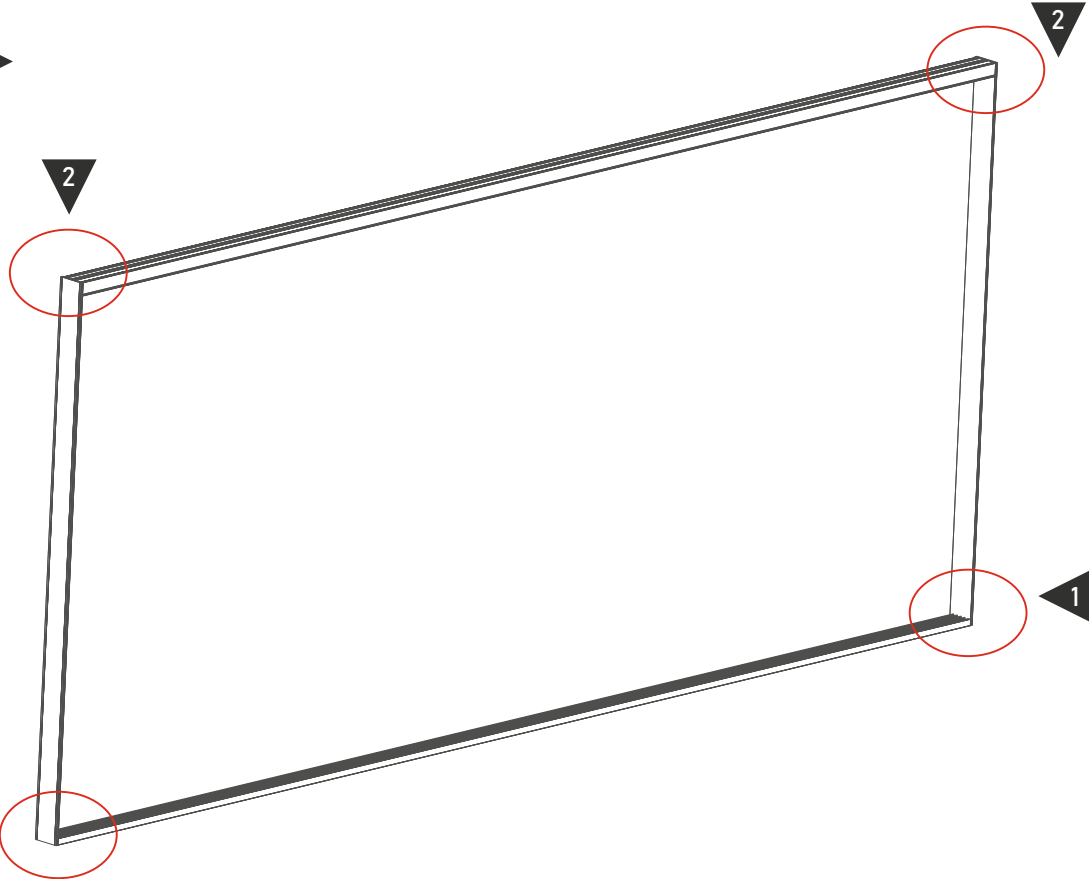
Second Option!
(flat bottom
rail)



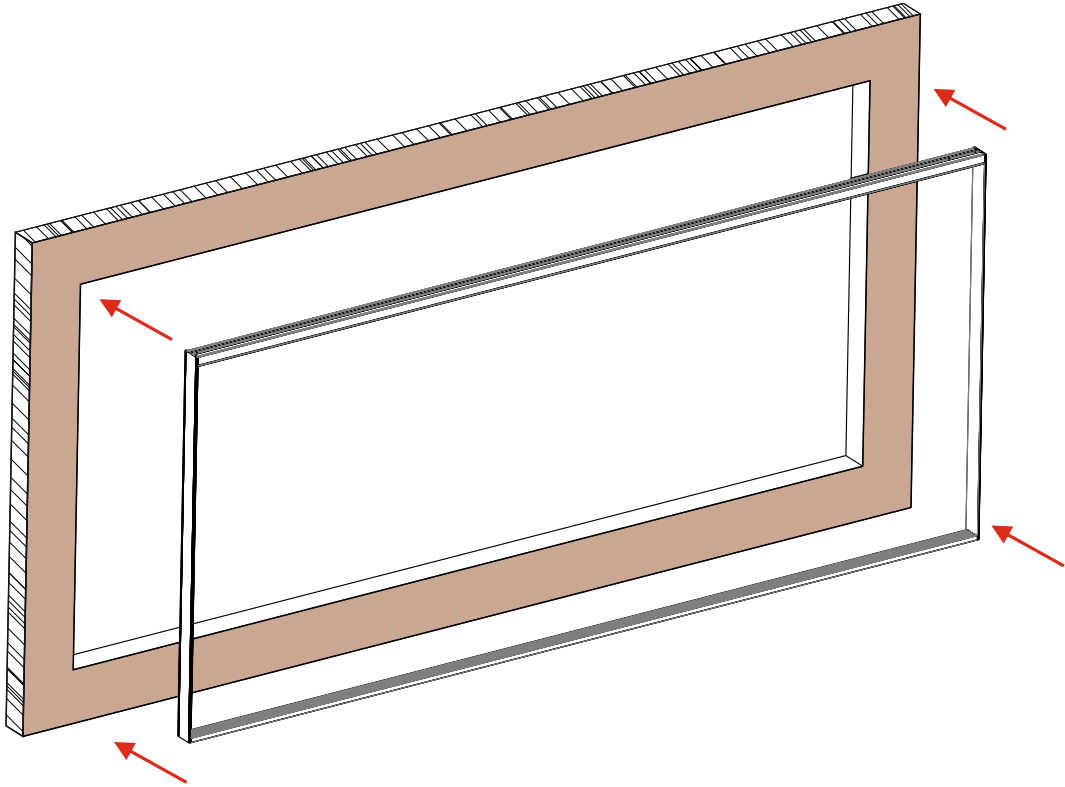
2



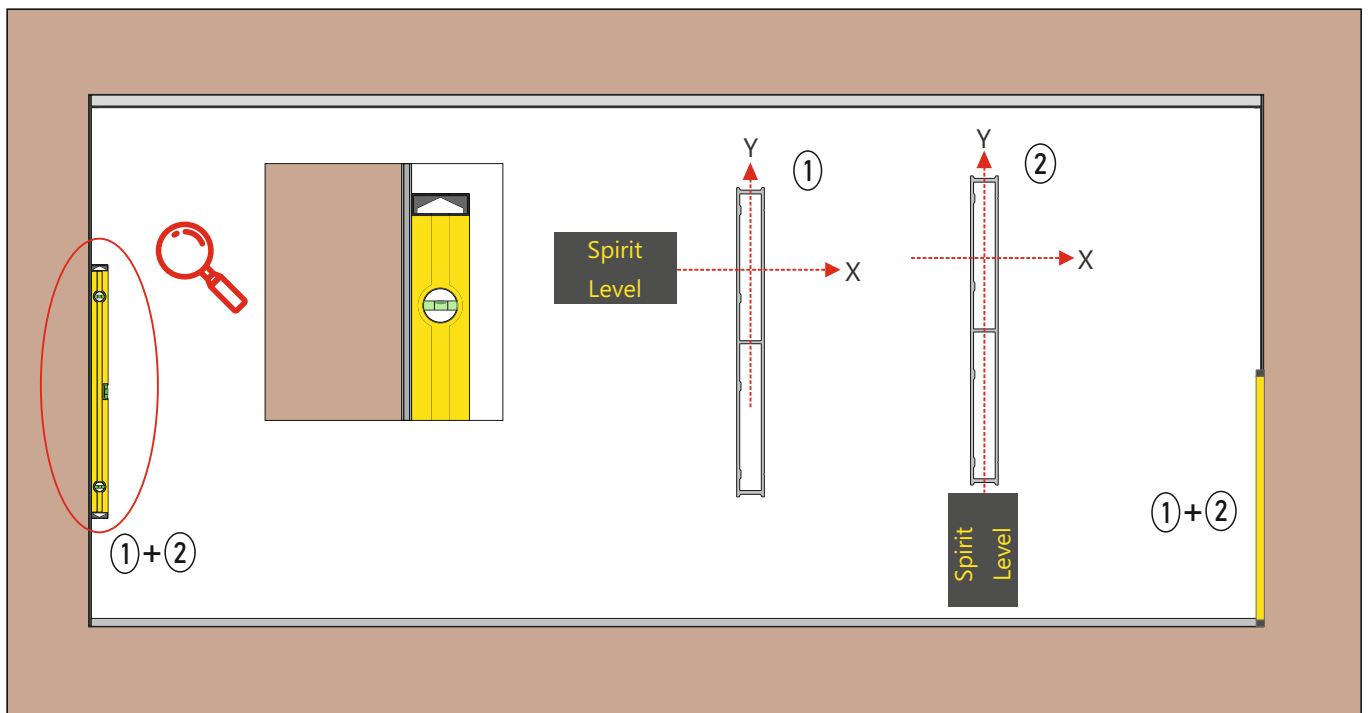
3



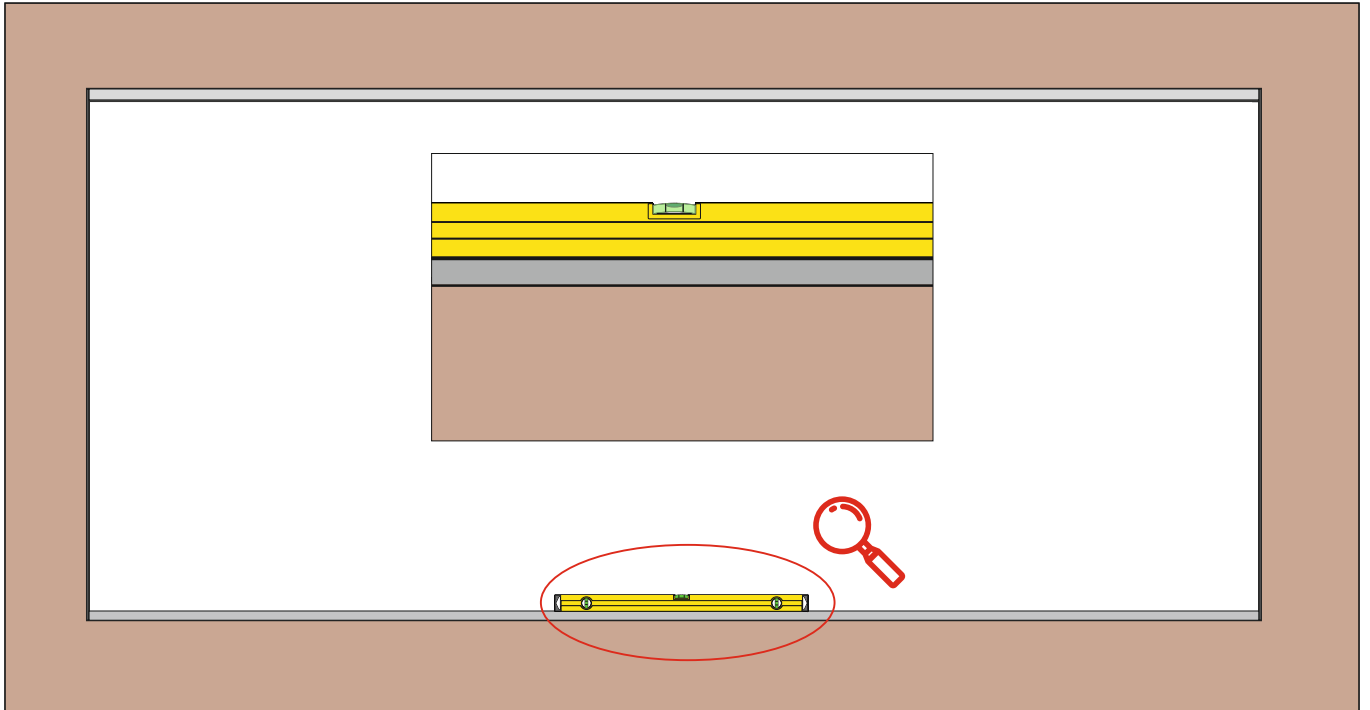
4



5

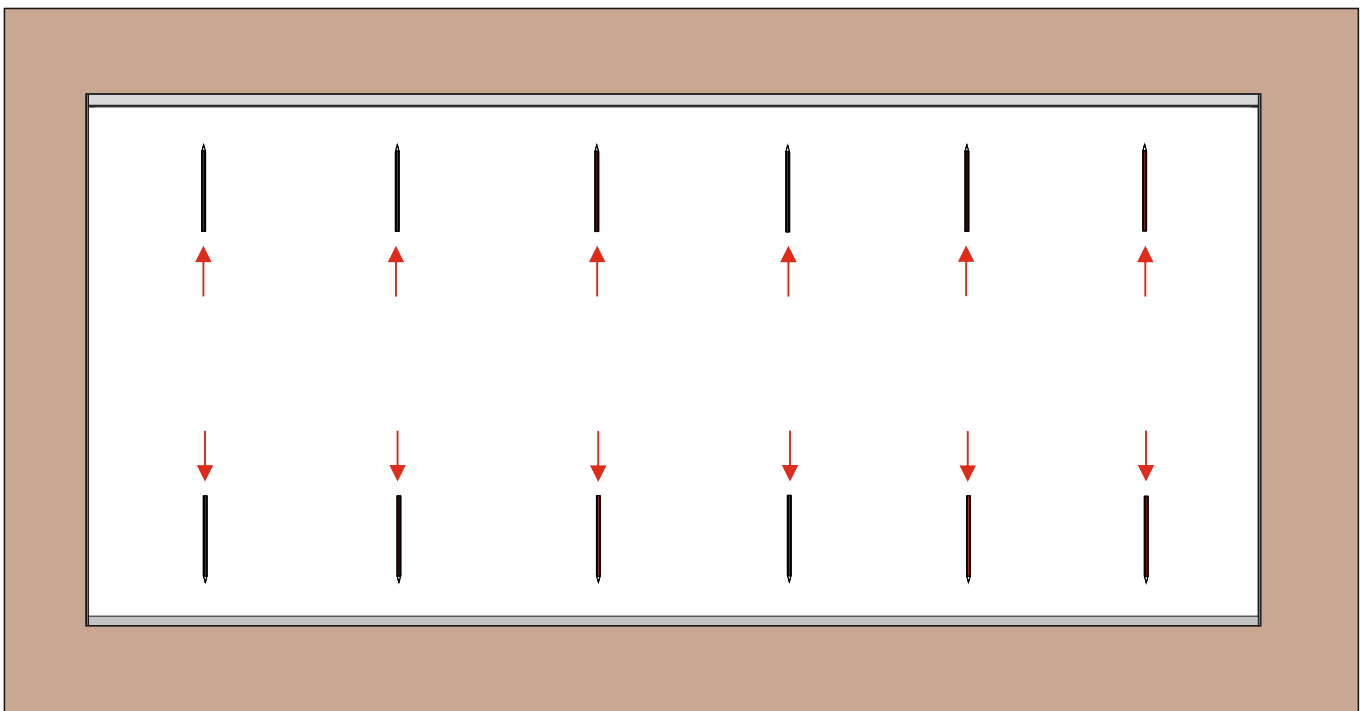


6



7

Mark the montage holes!

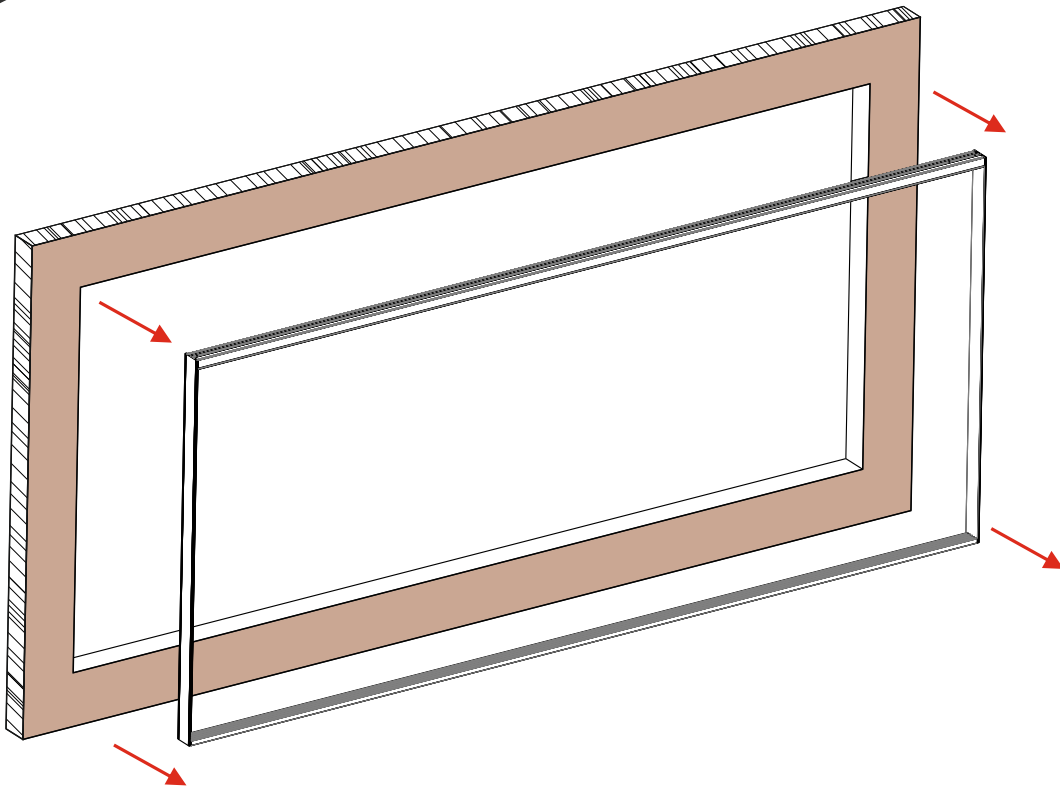


8

Mark the montage holes!

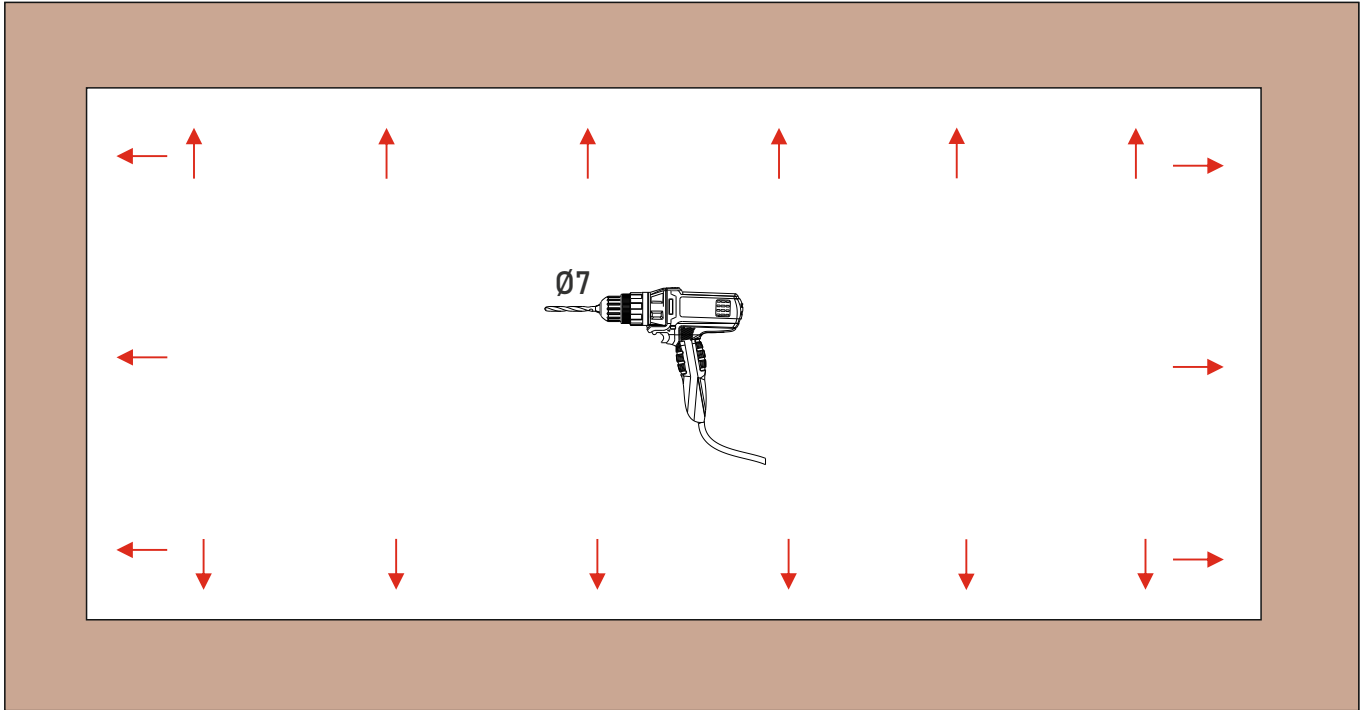


9

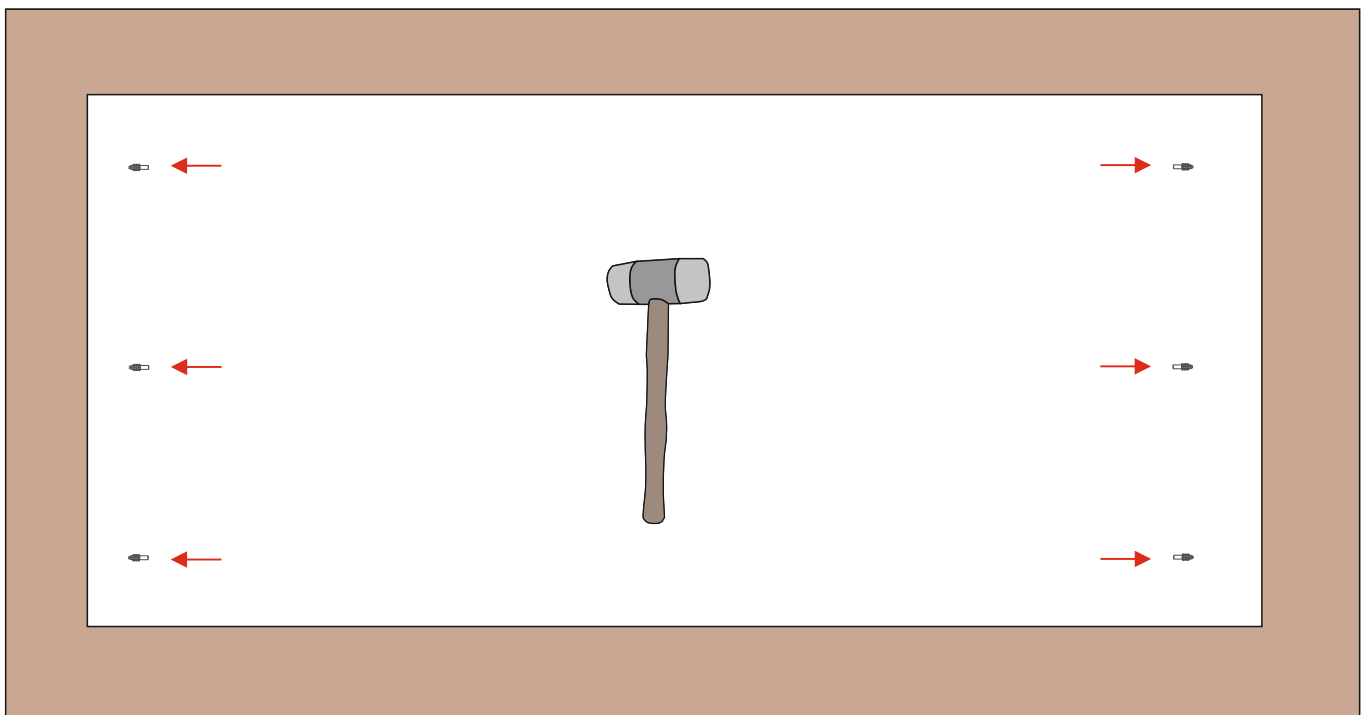
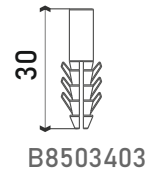


10

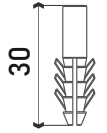
Drill the marked holes!



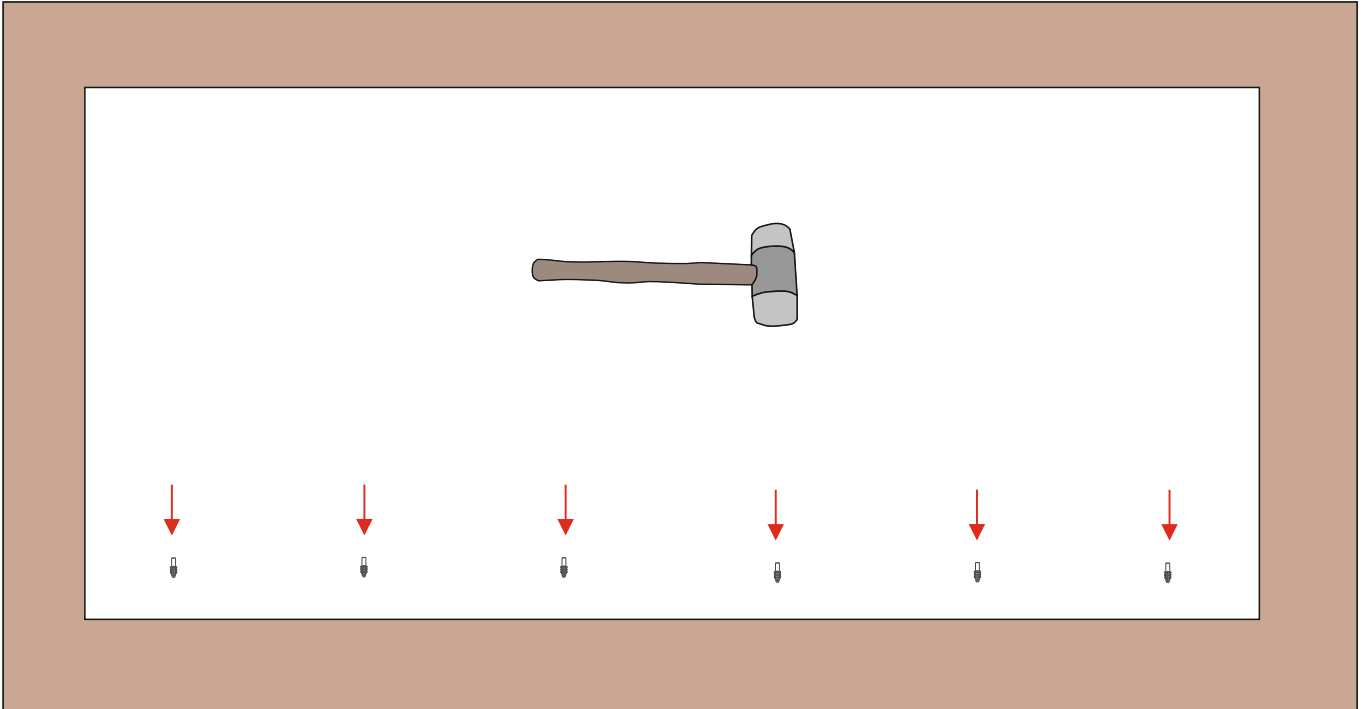
11



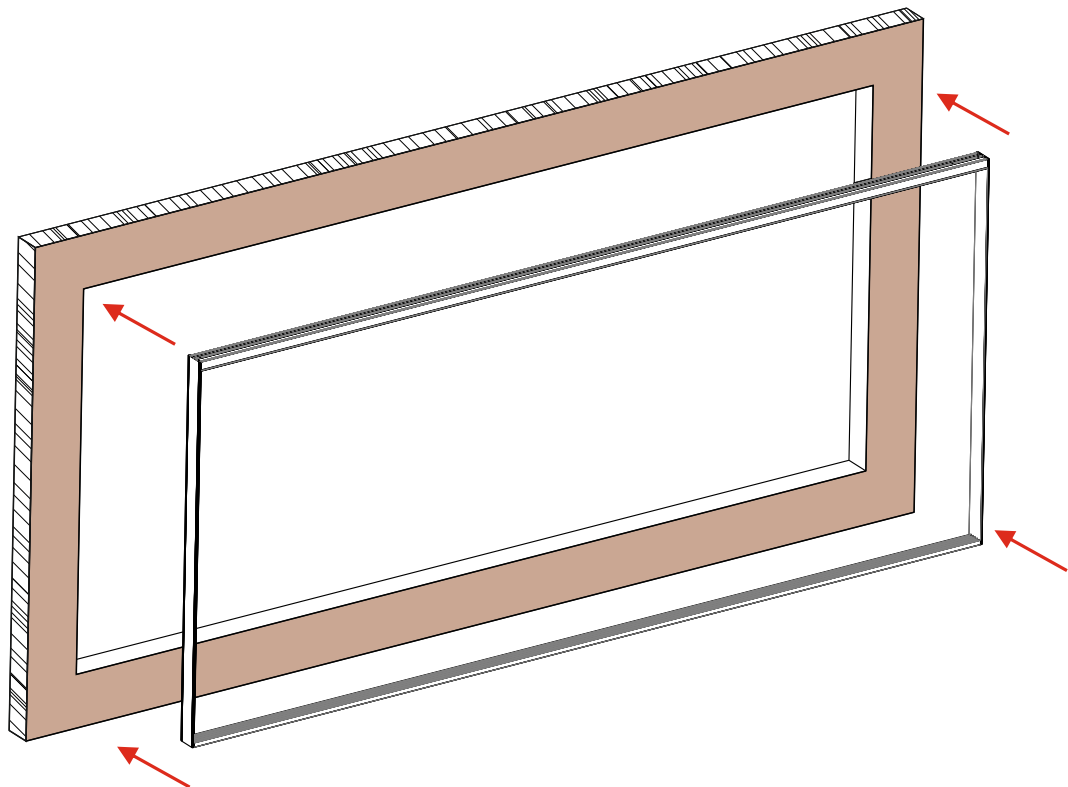
12



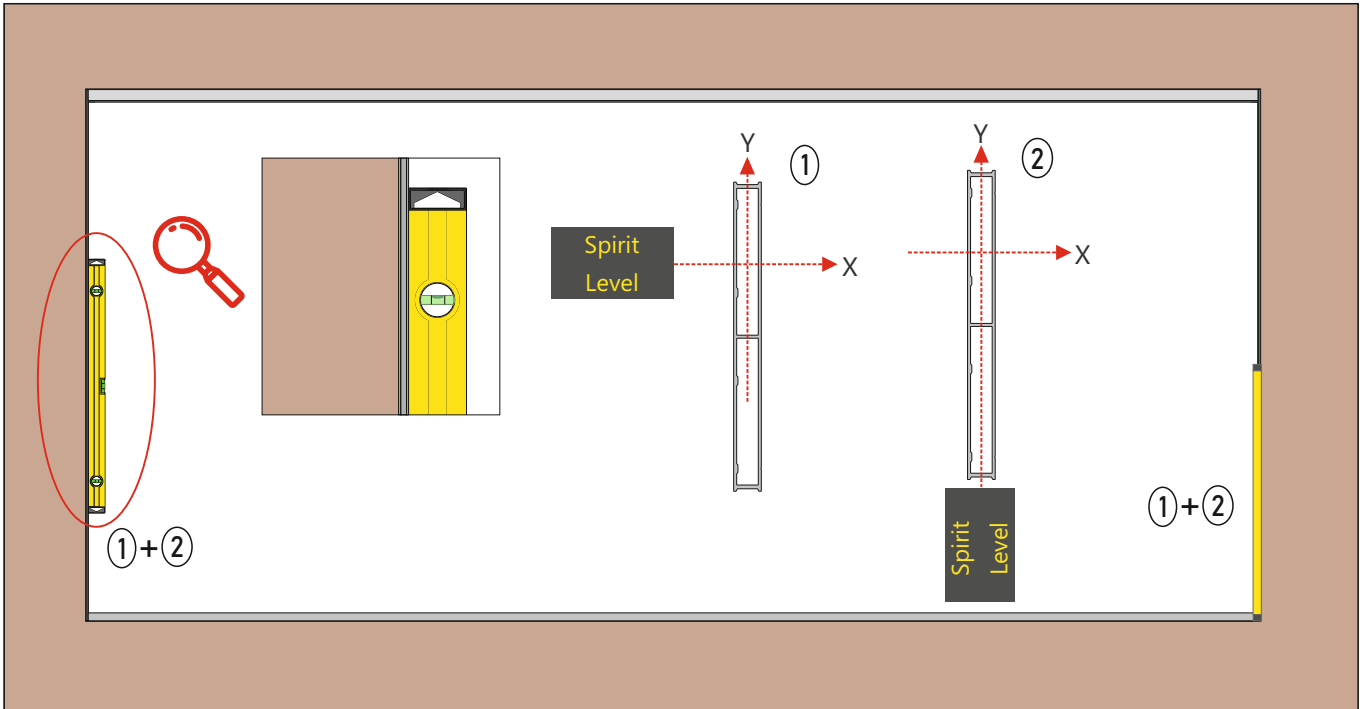
B8503403



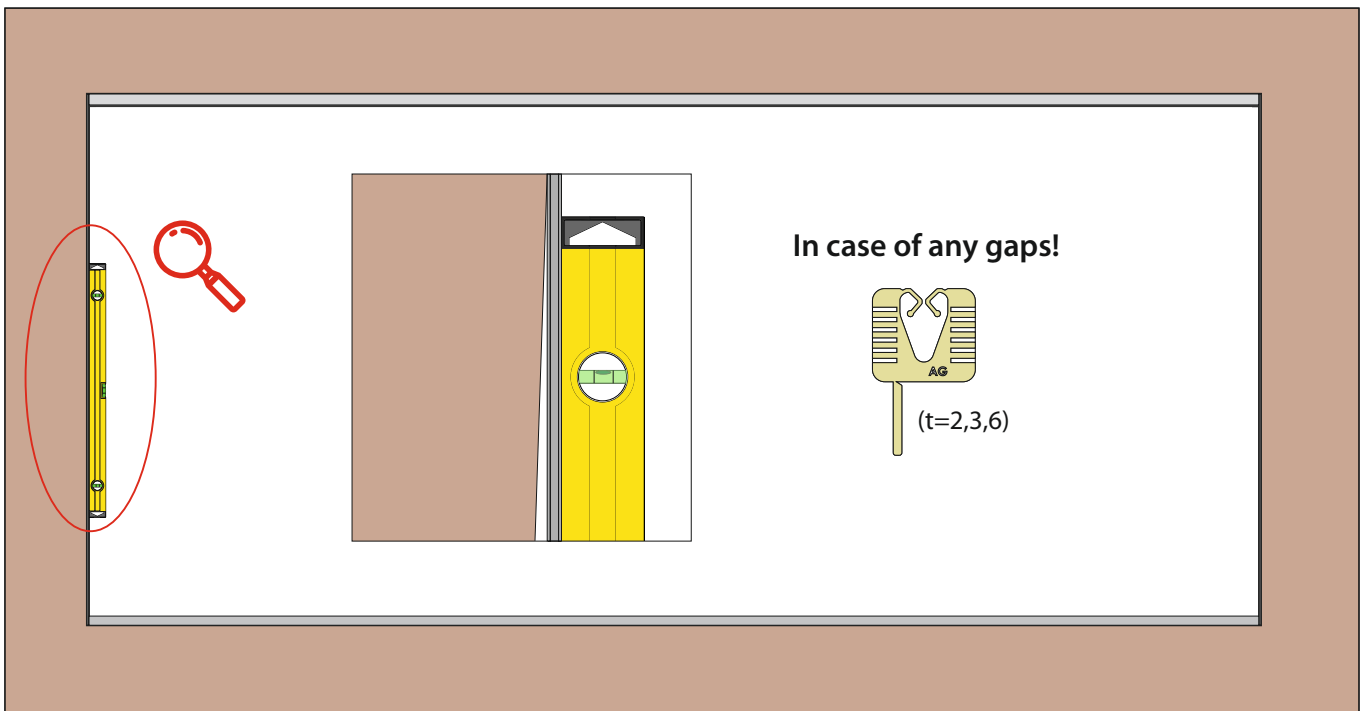
13



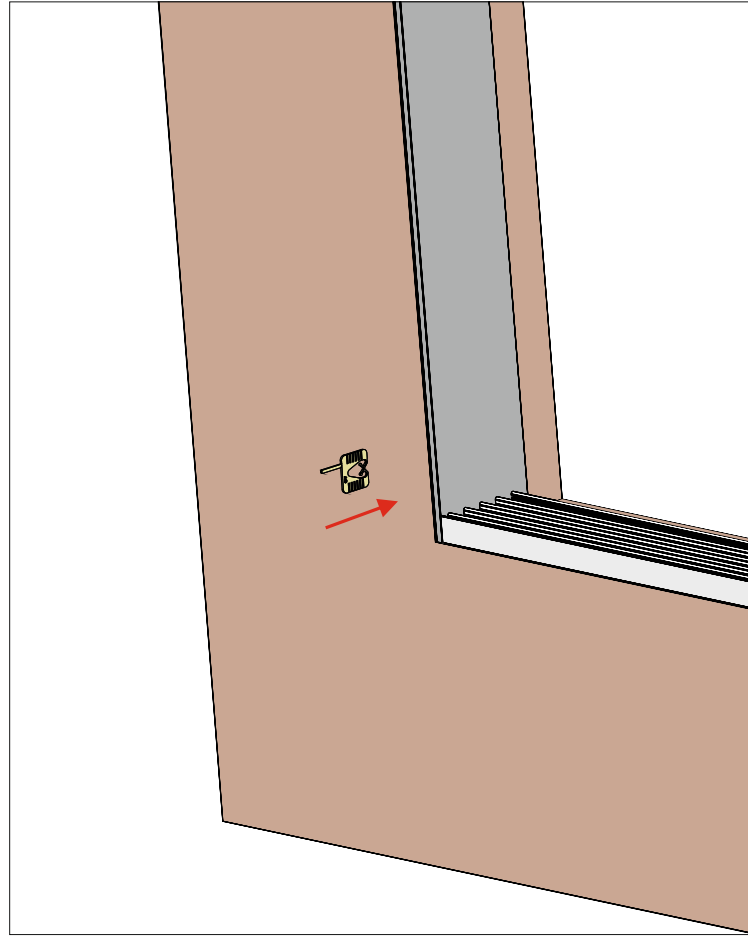
14



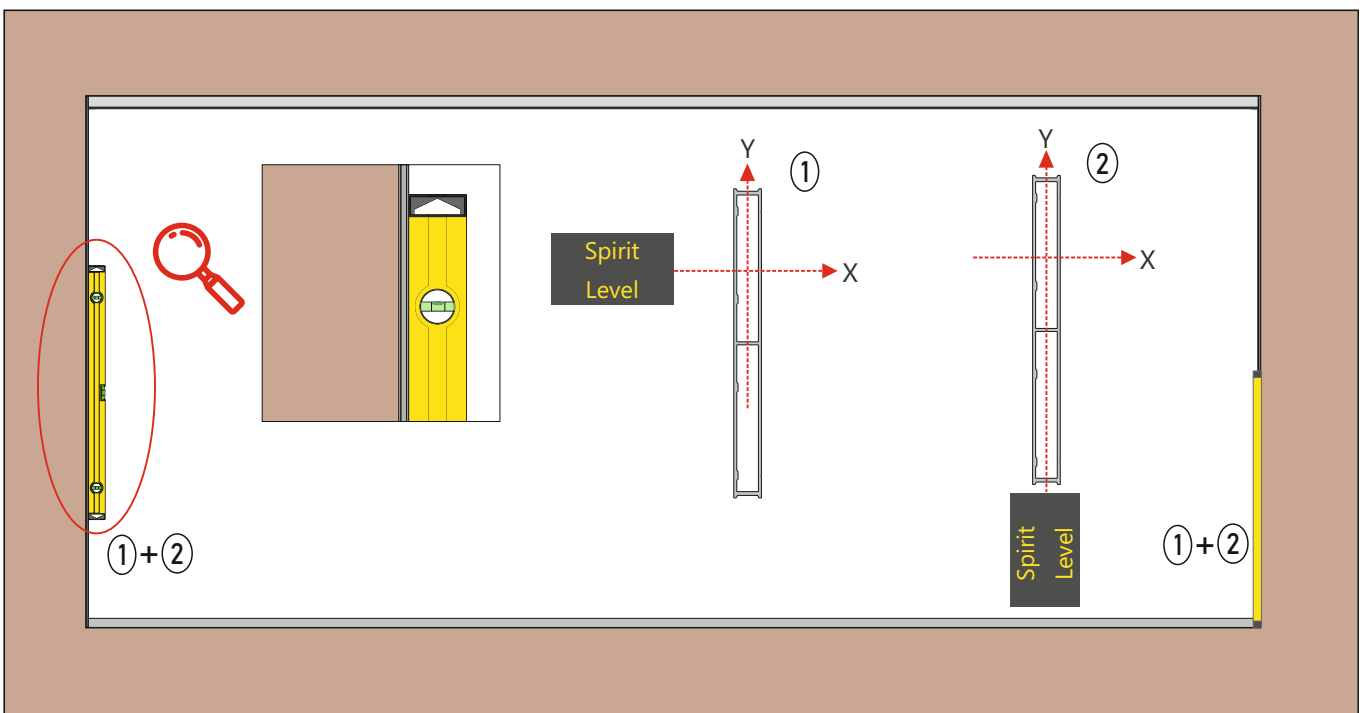
15



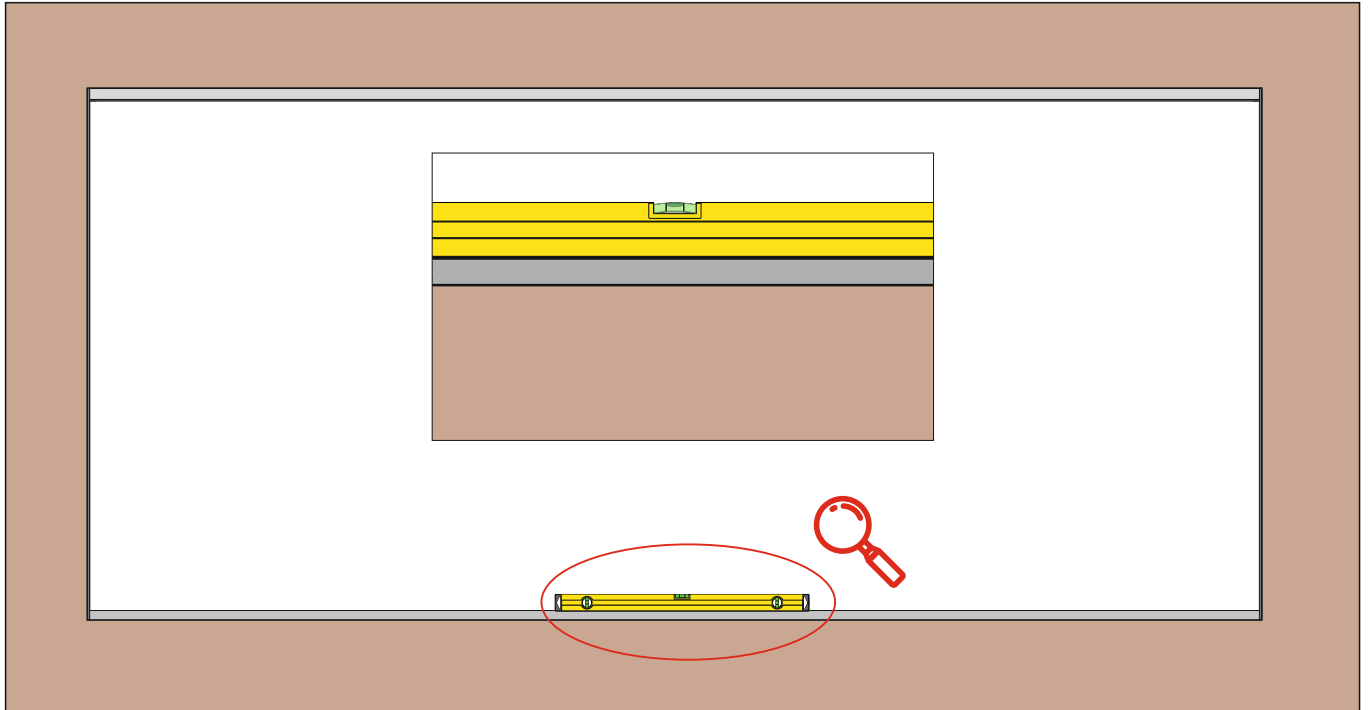
16



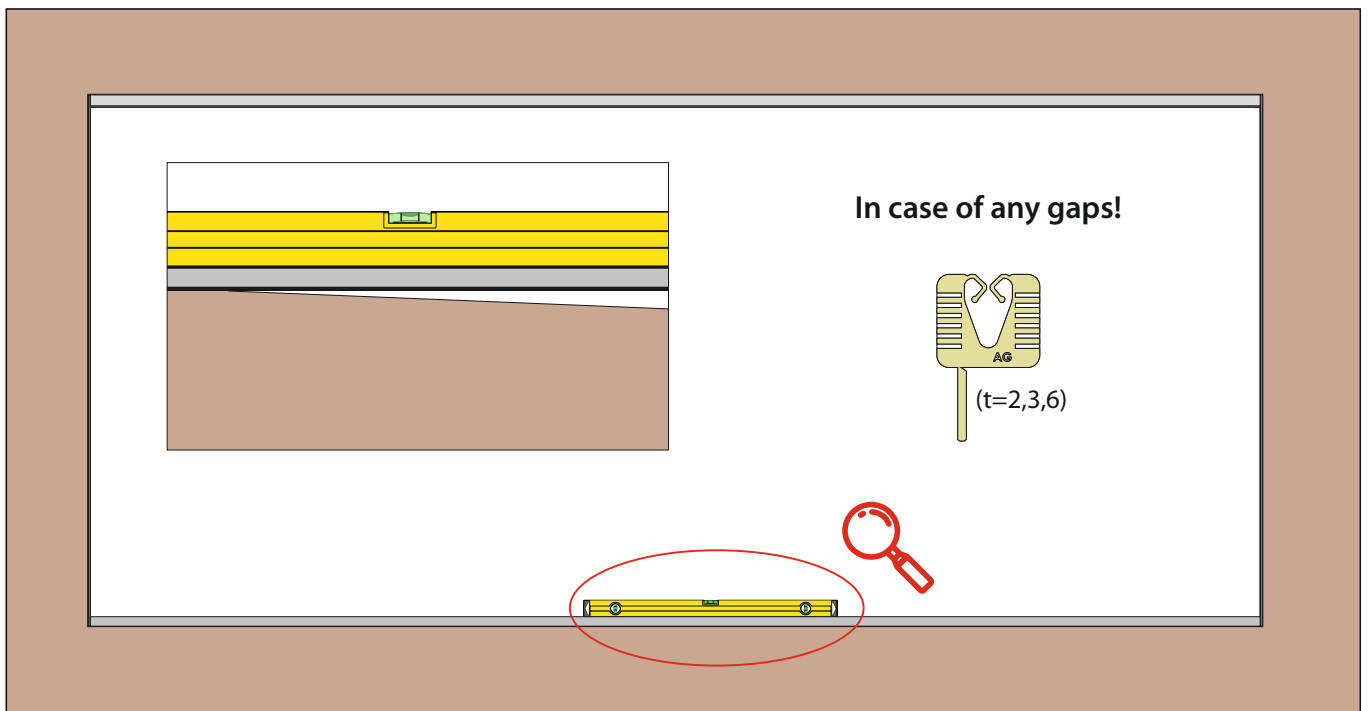
17



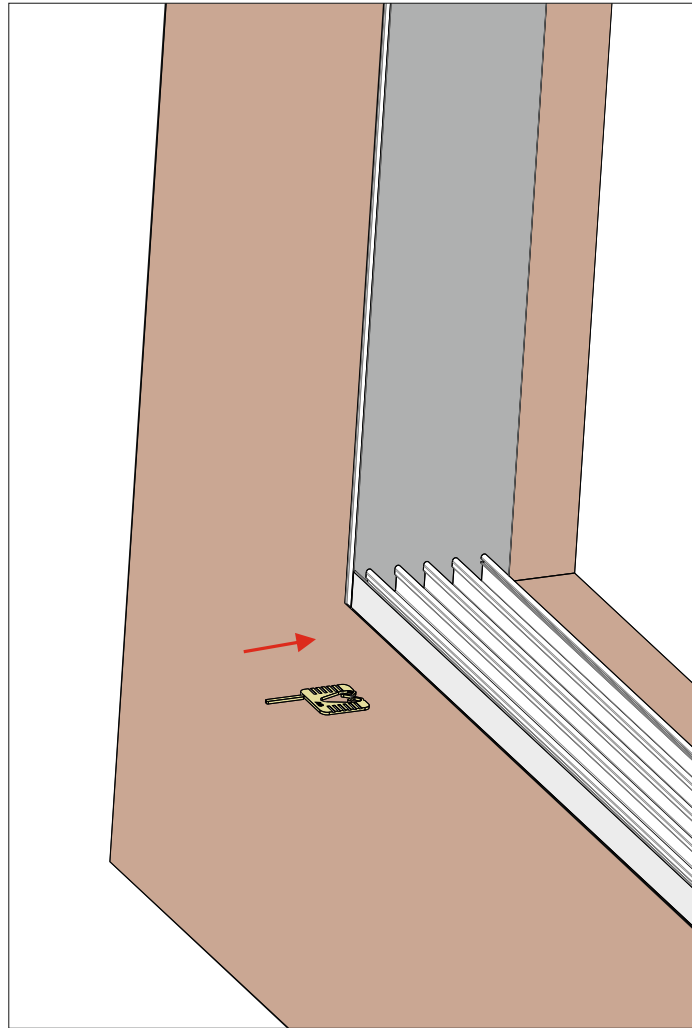
18



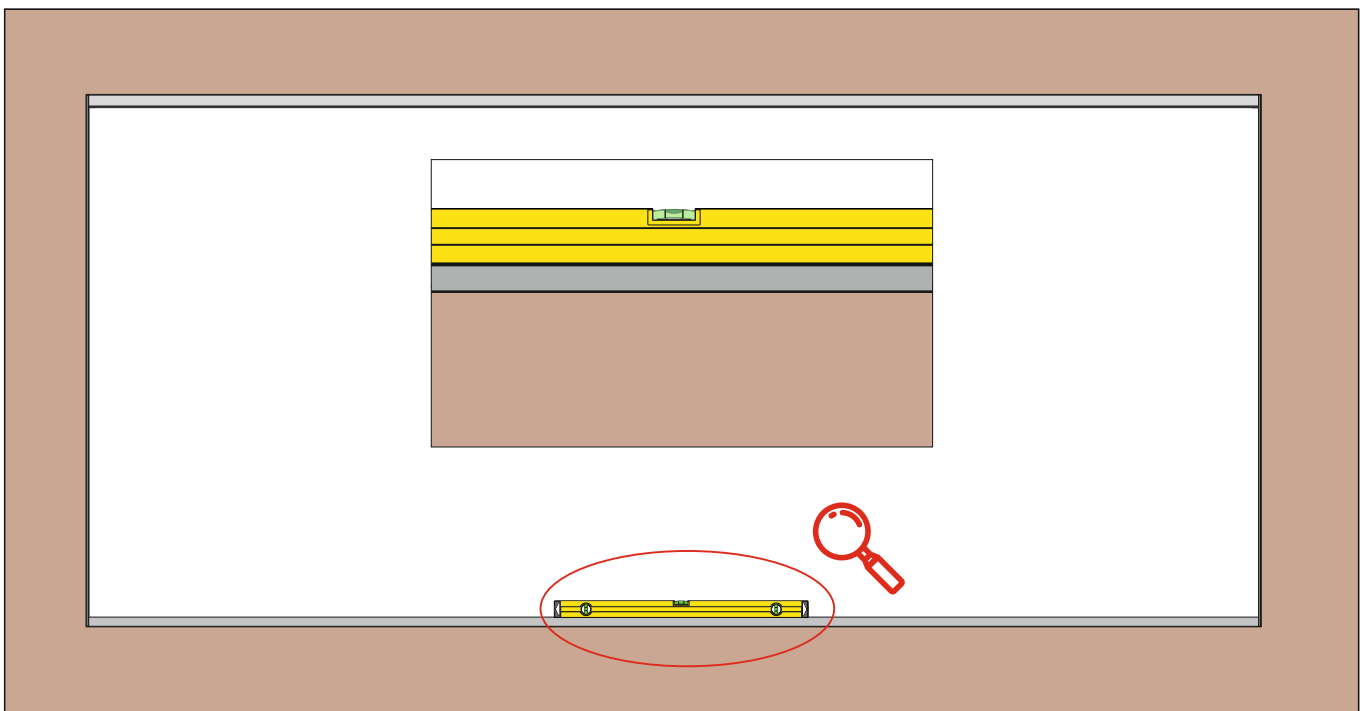
19



20

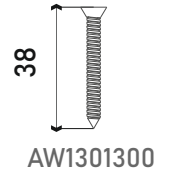


21



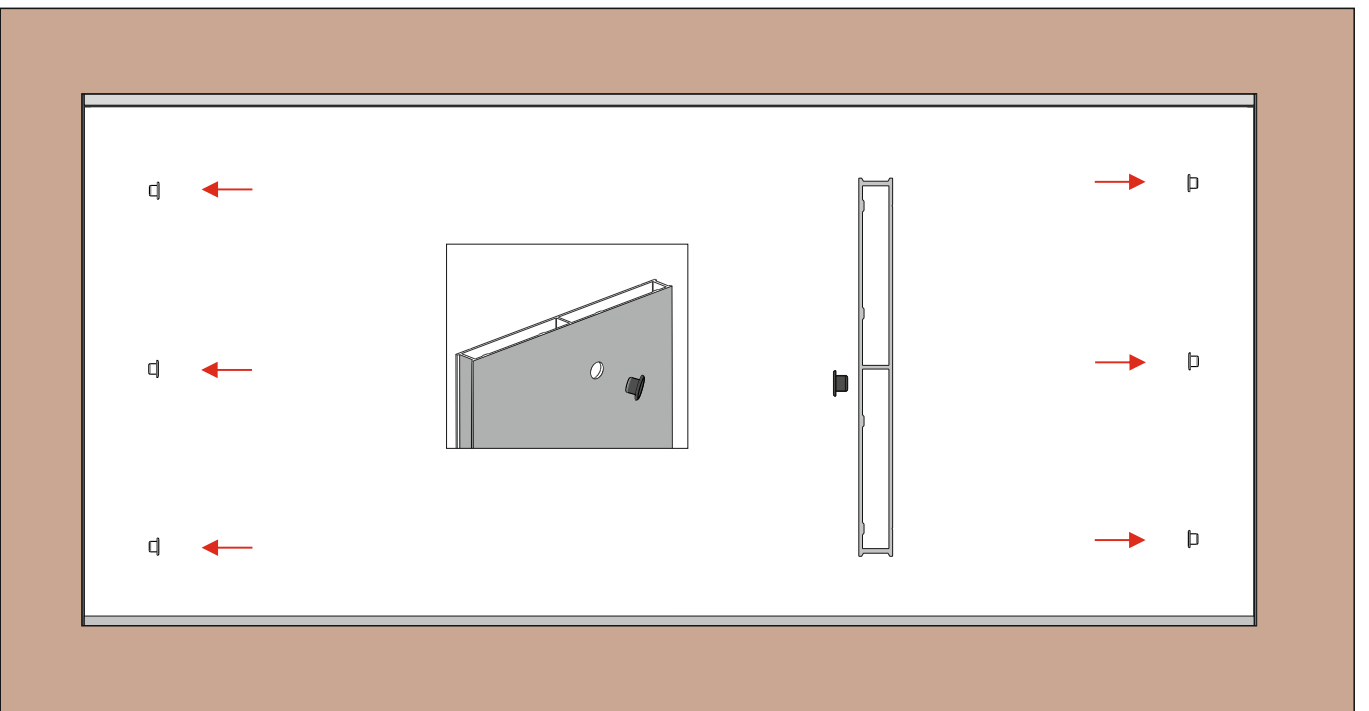
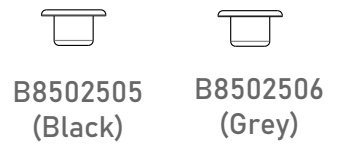
22

Remember from Pg. 54!



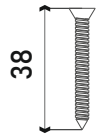
23

Remember from Pg. 54!

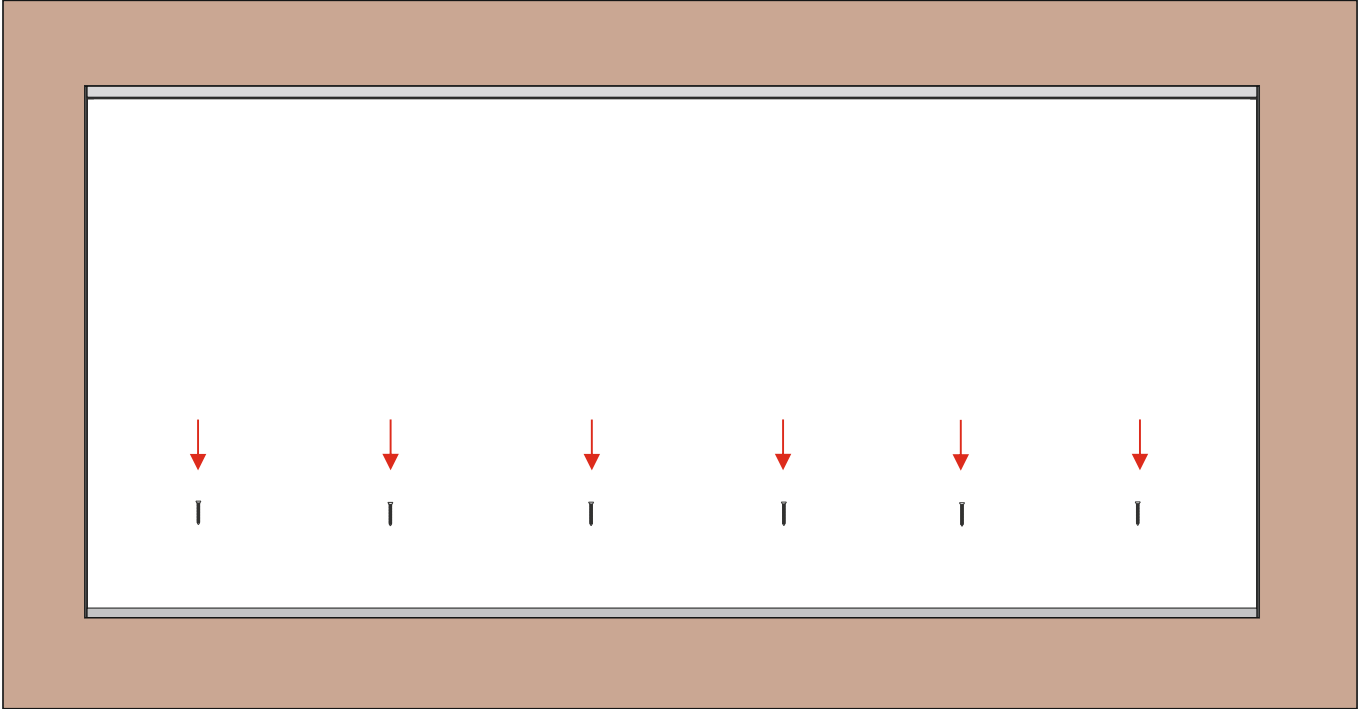


24

Remember from Pg. 57 & 59!

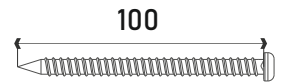


AW1301300

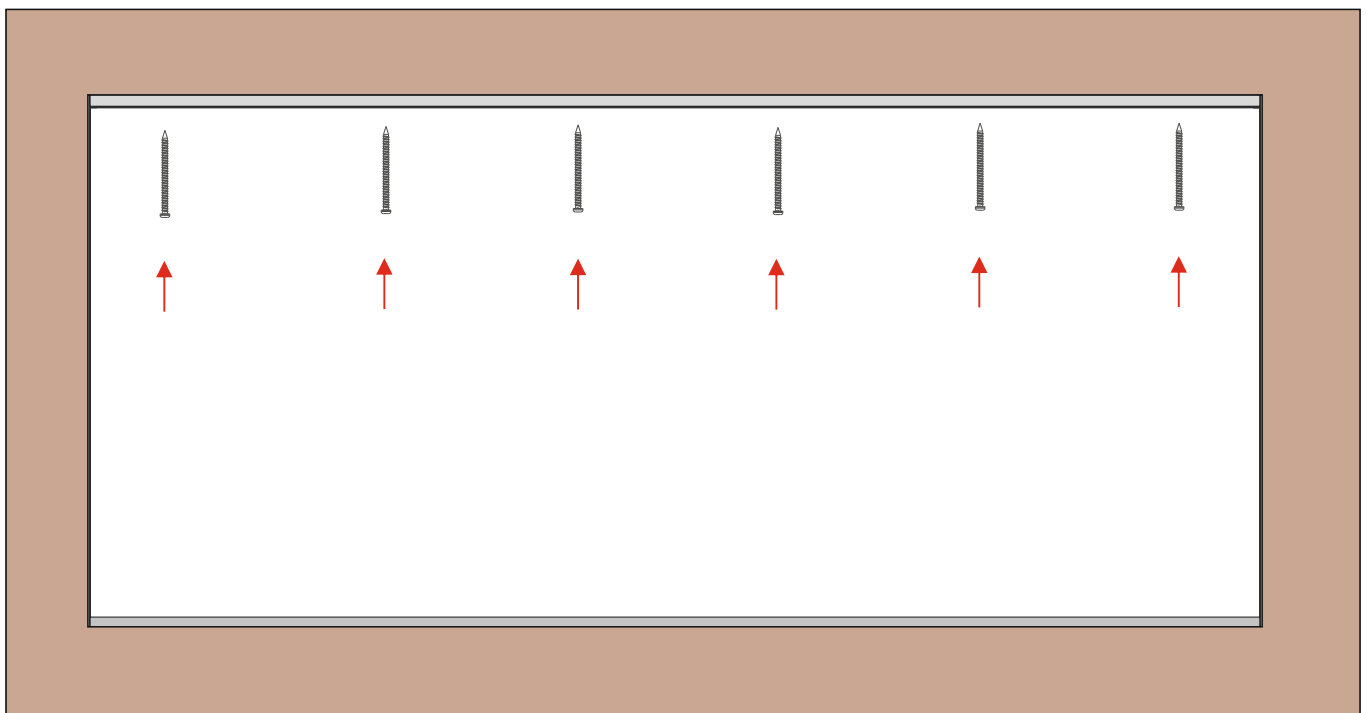


25

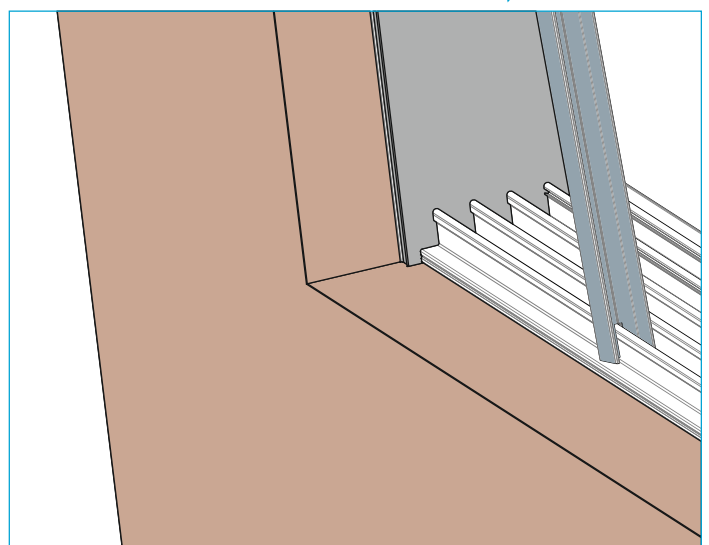
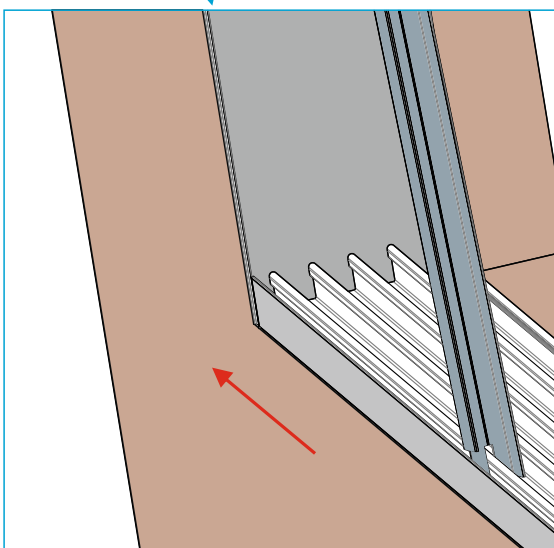
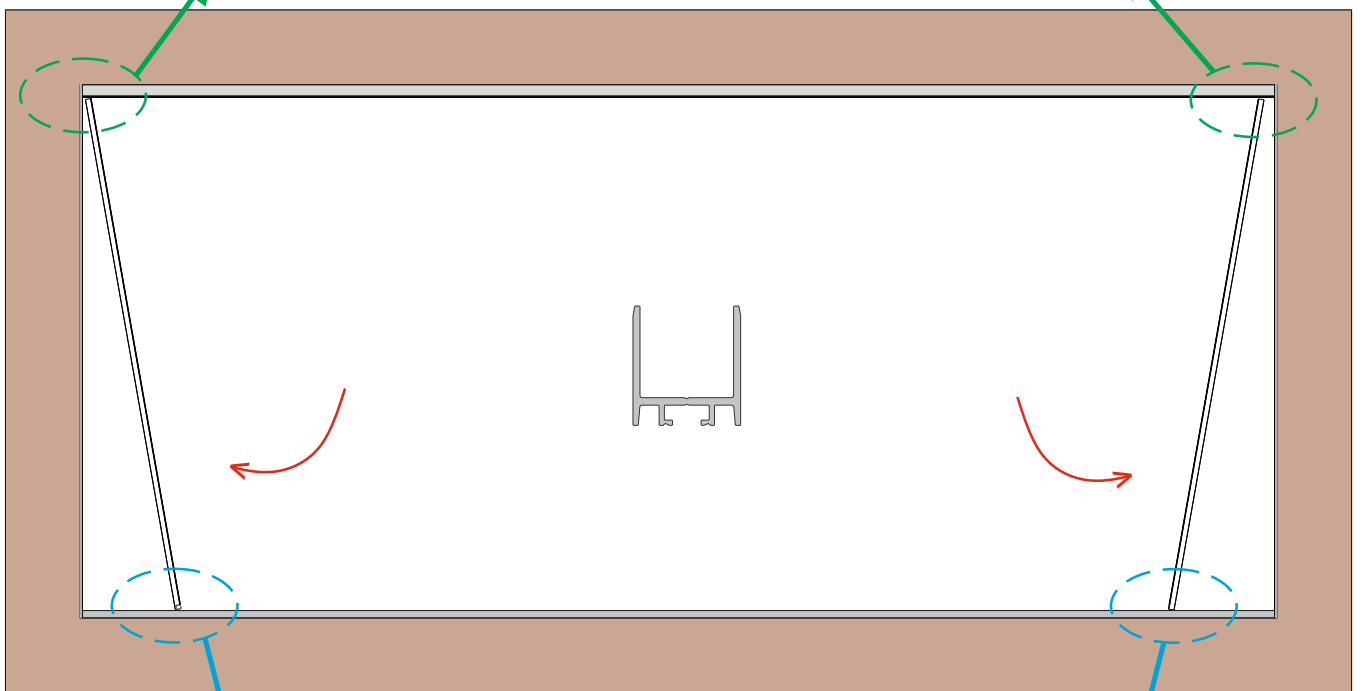
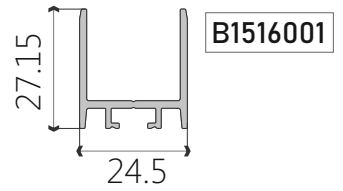
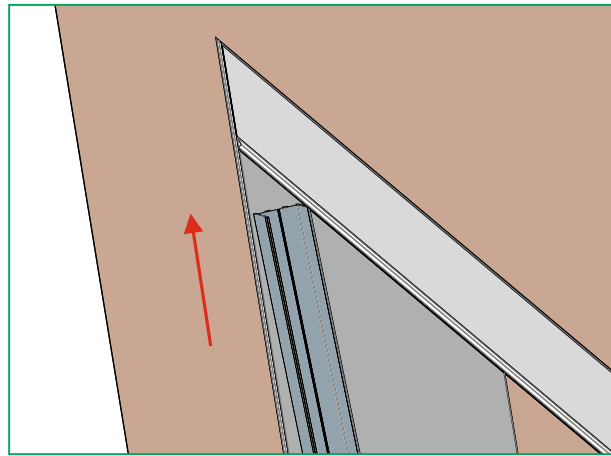
Remember from Pg. 52!



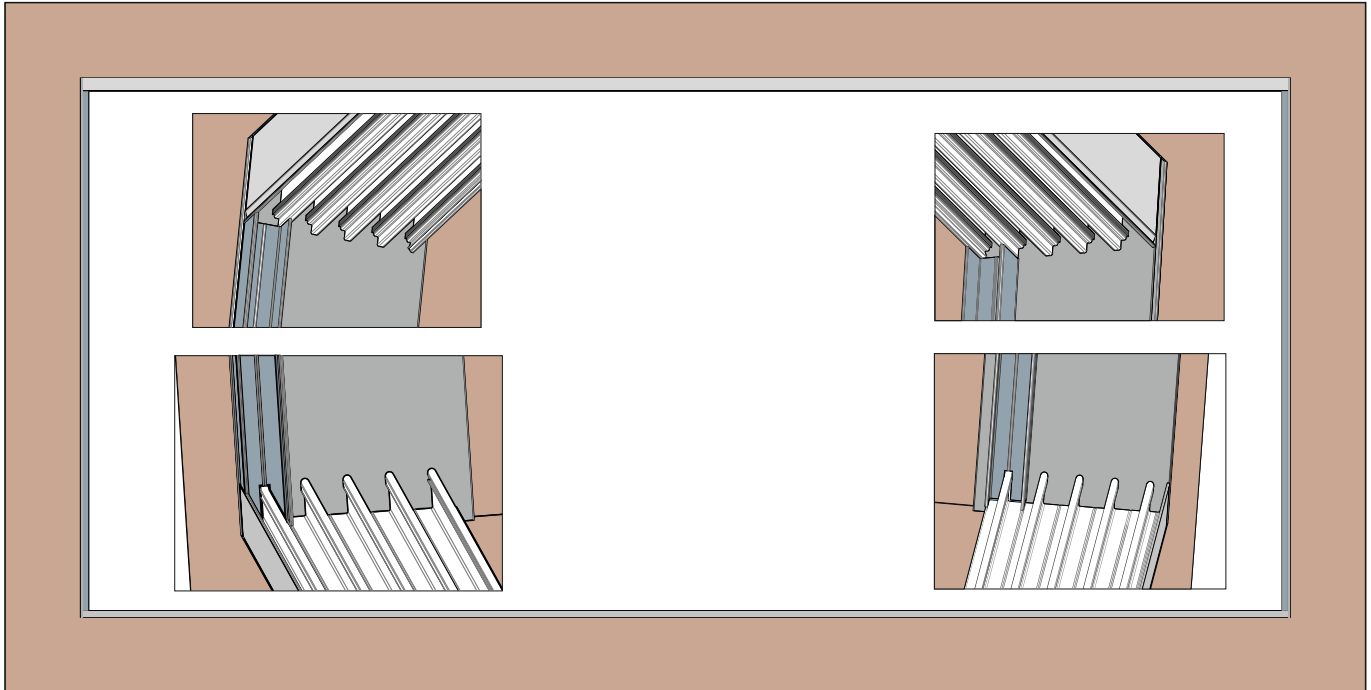
B8502706



26

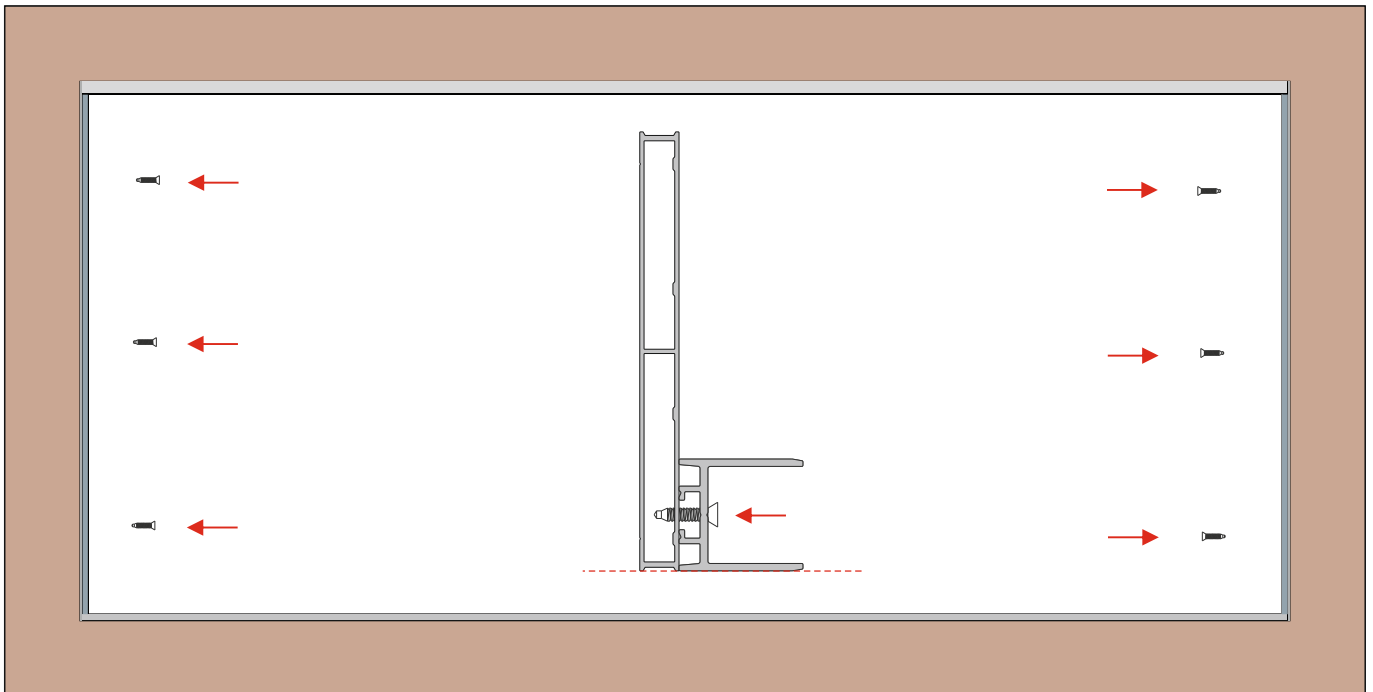
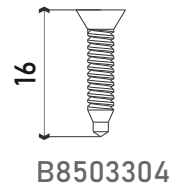


27

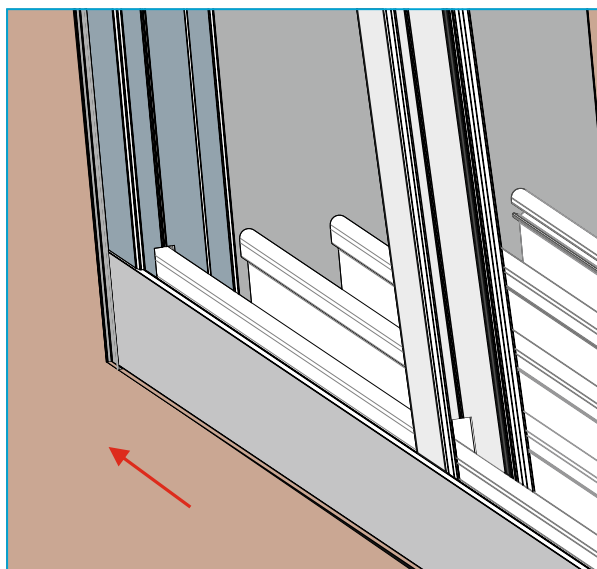
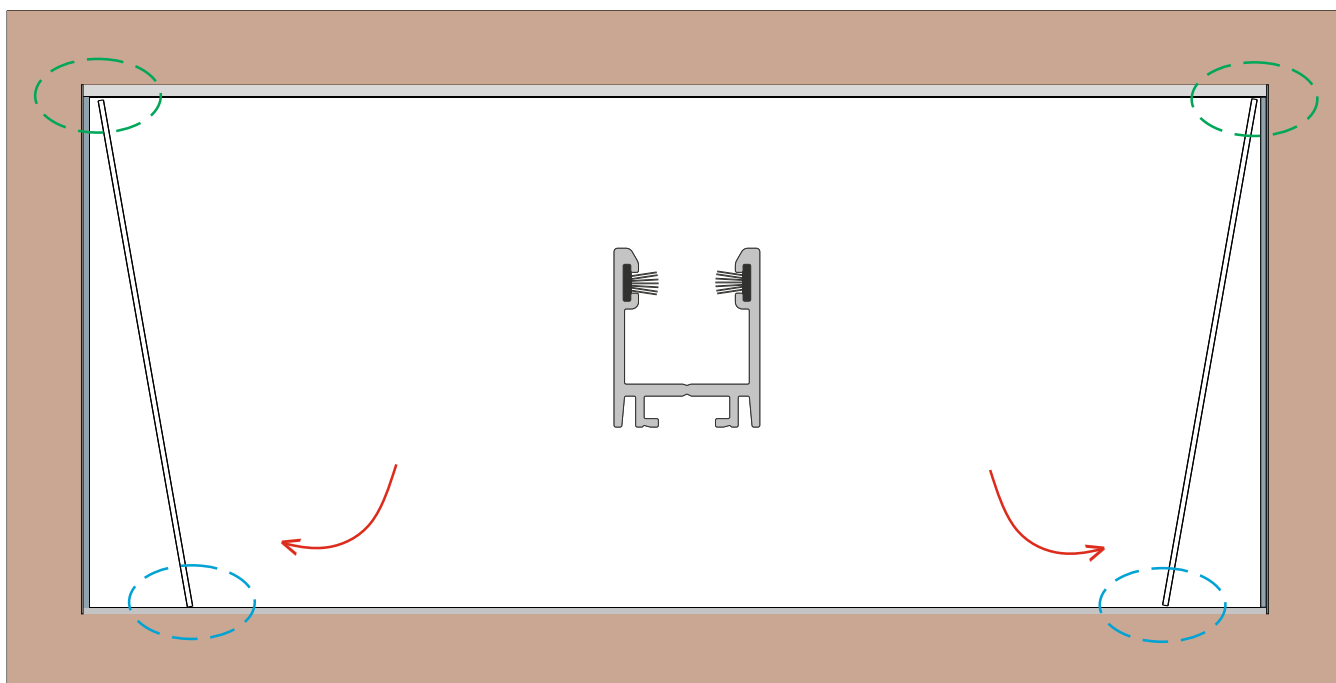
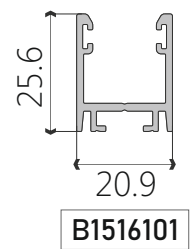
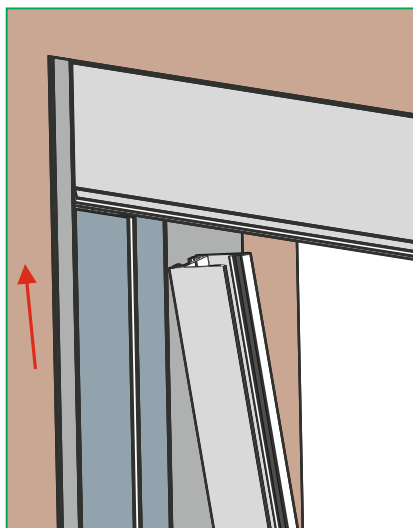


28

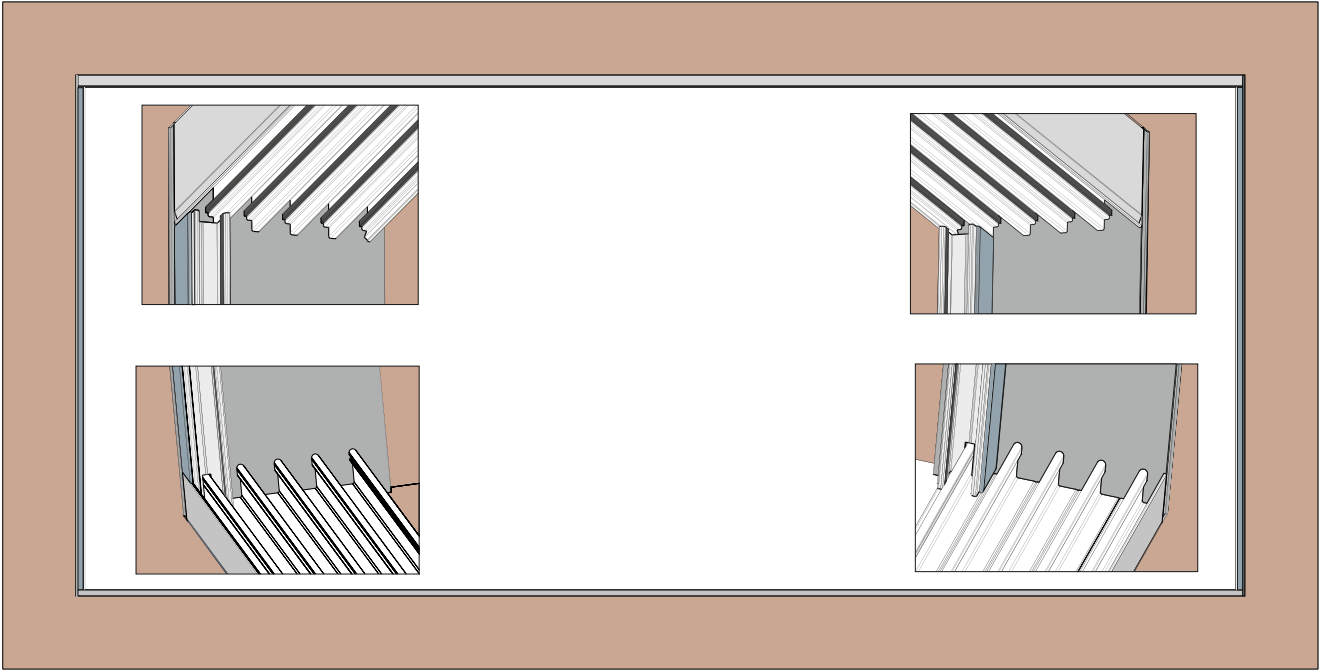
Remember from Pg. 51!



29

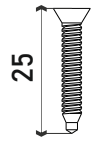


30

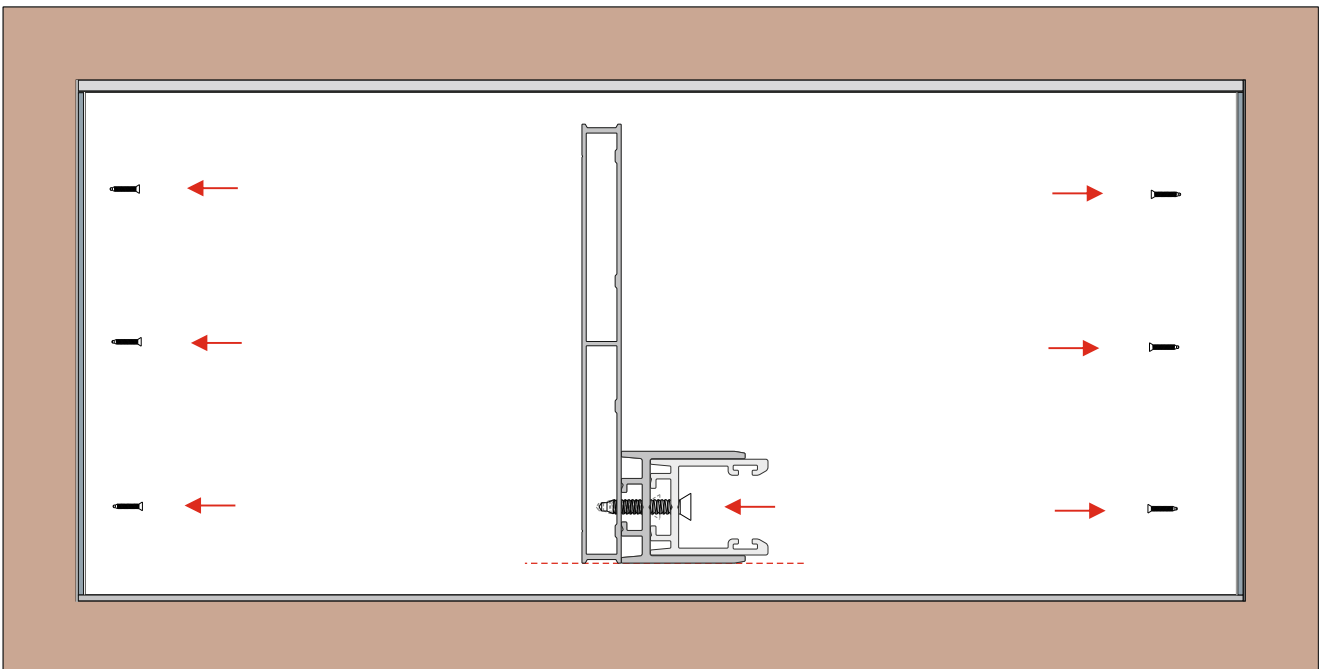


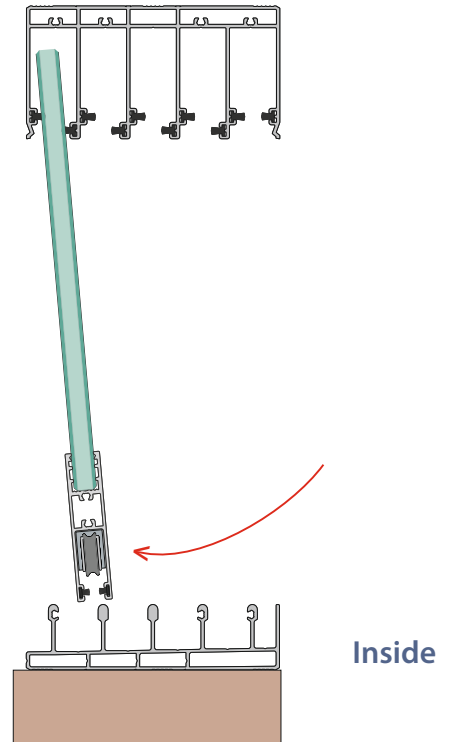
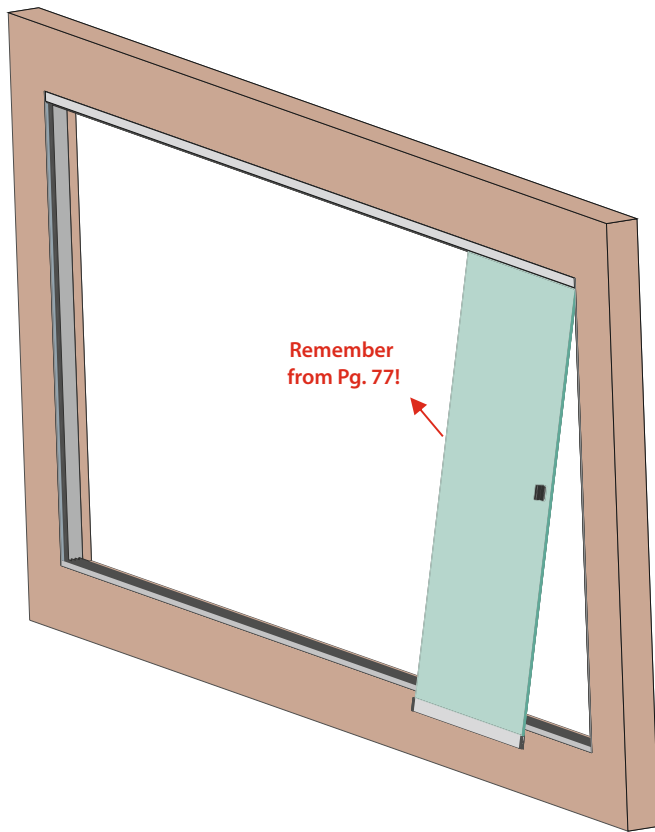
31

Remember from Pg. 51!

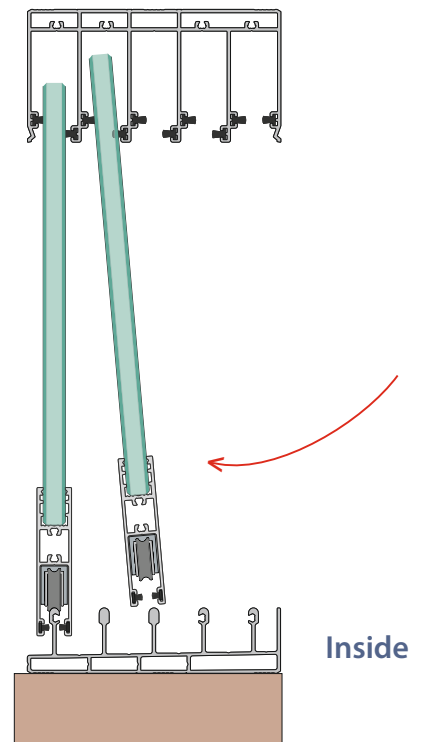
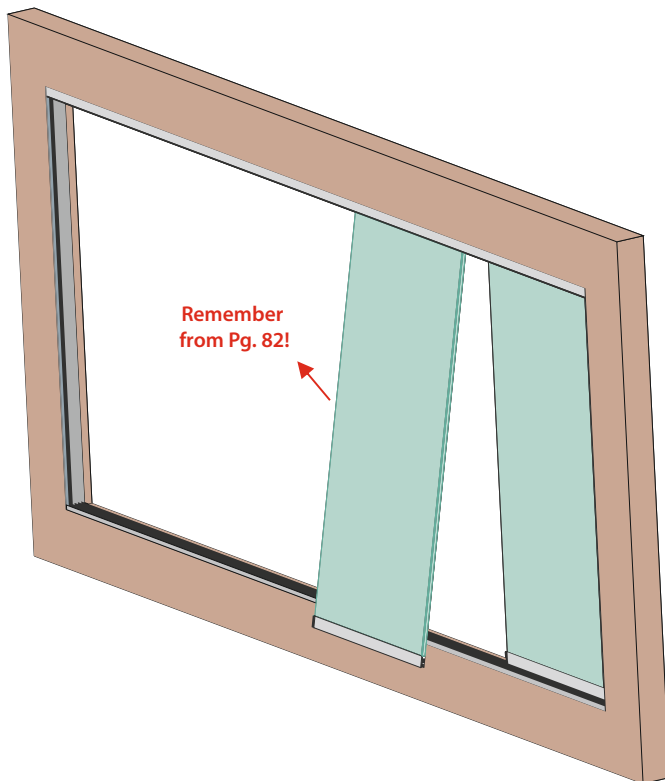


B8503308

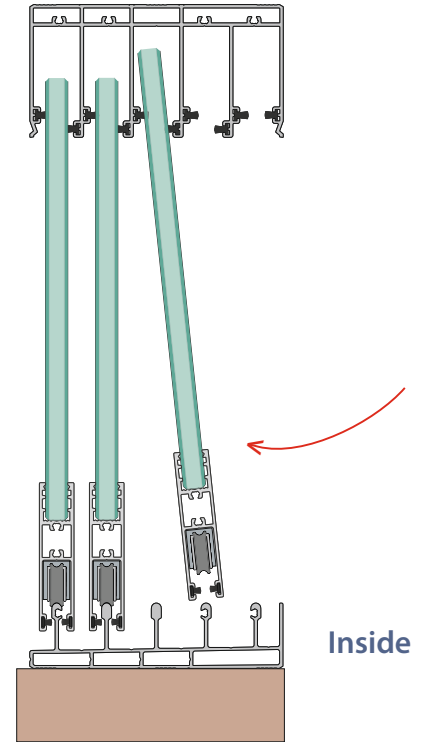
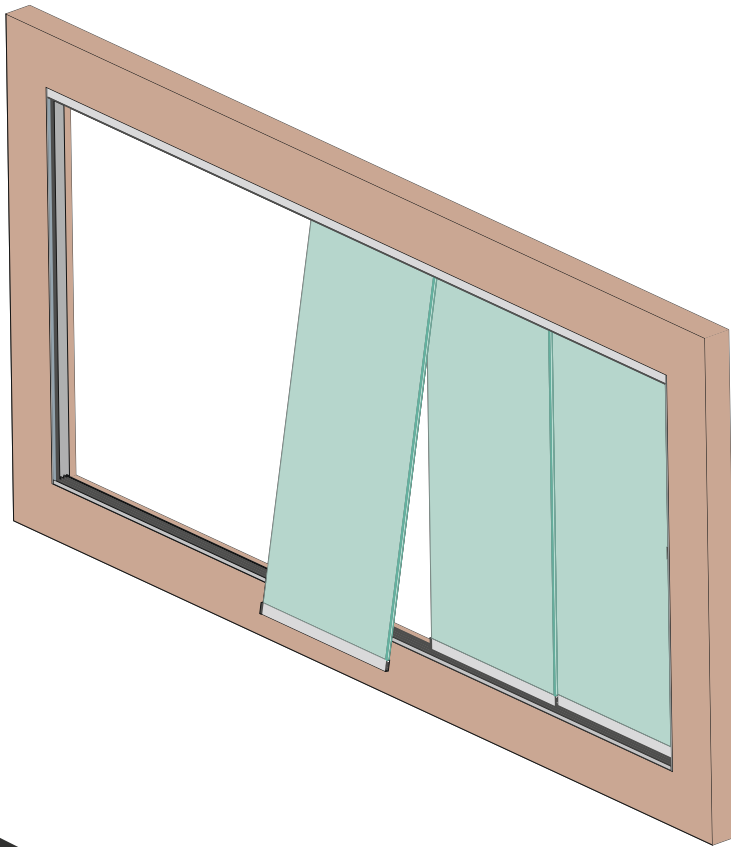




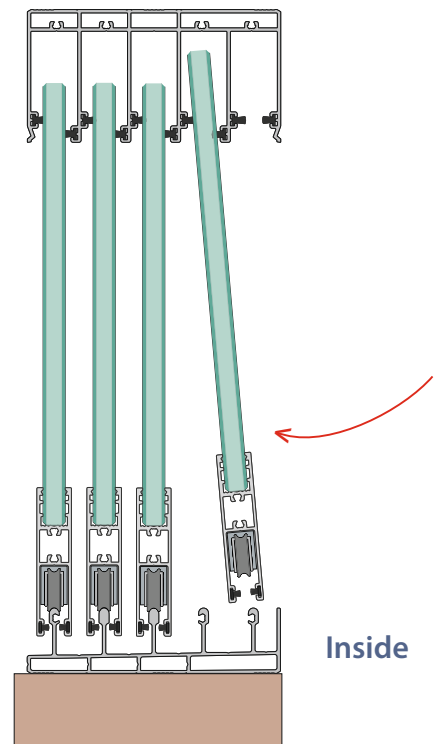
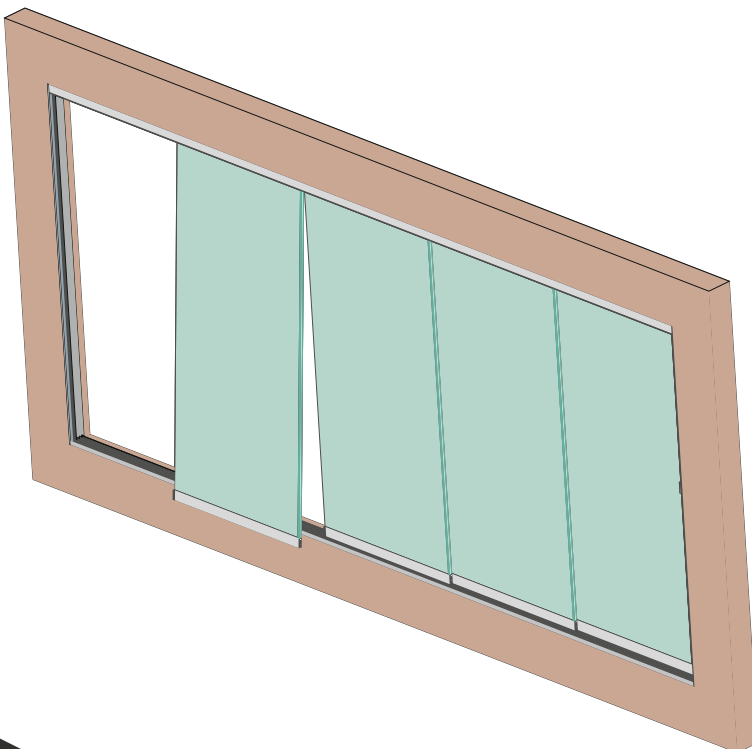
32



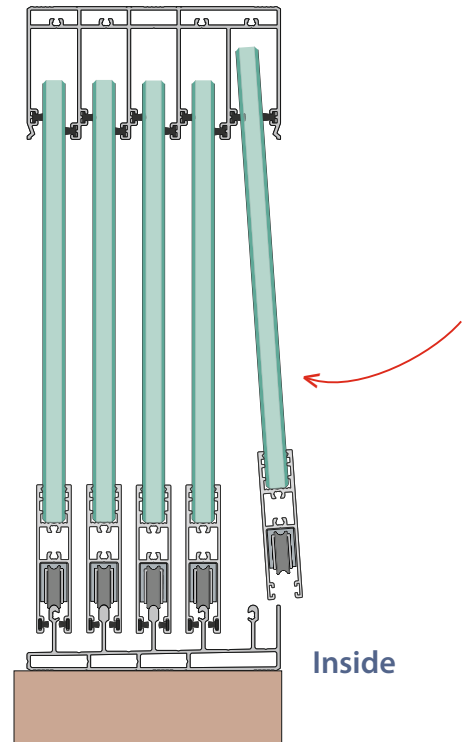
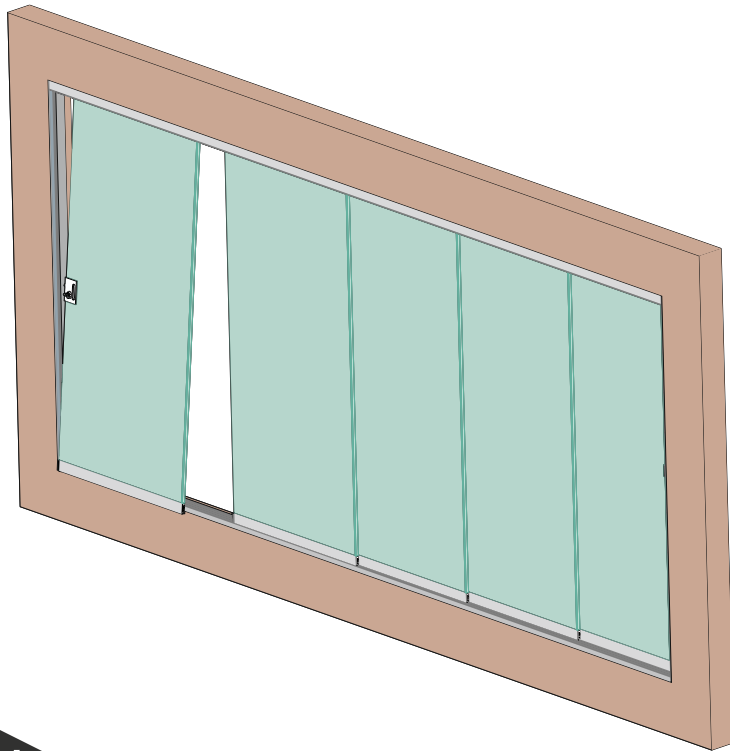
33



34

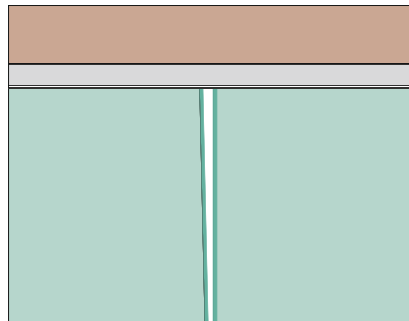


35

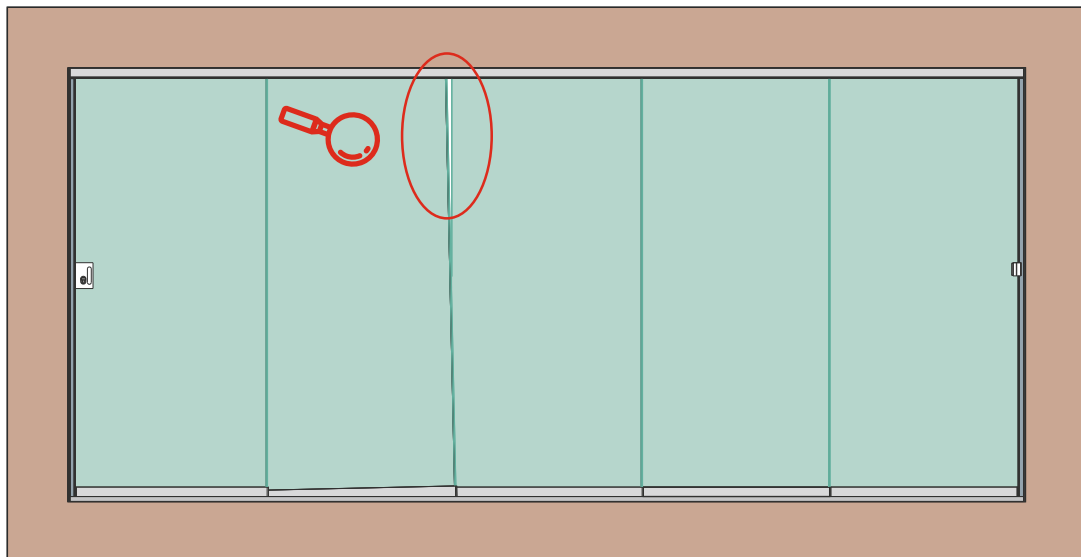


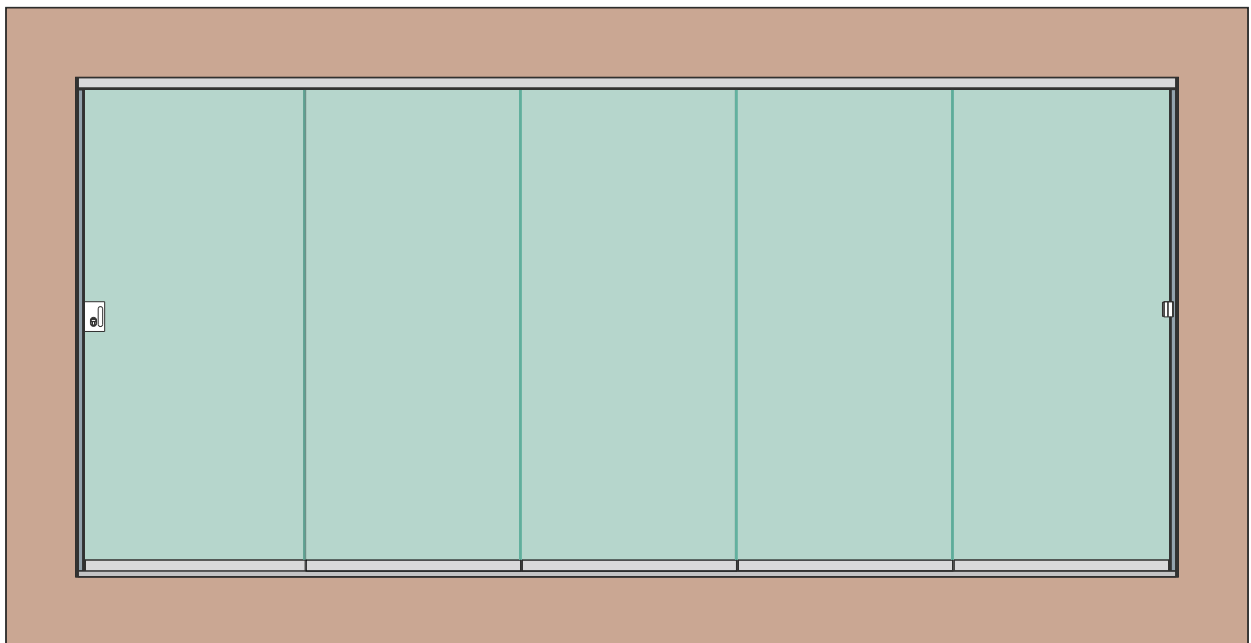
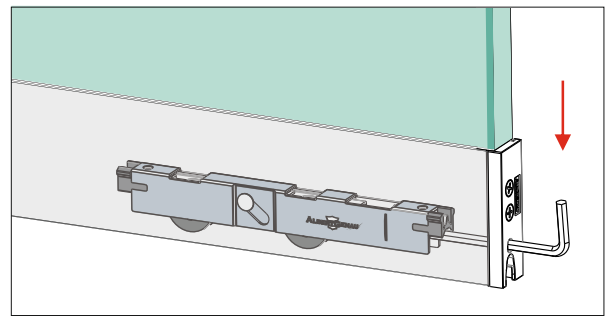
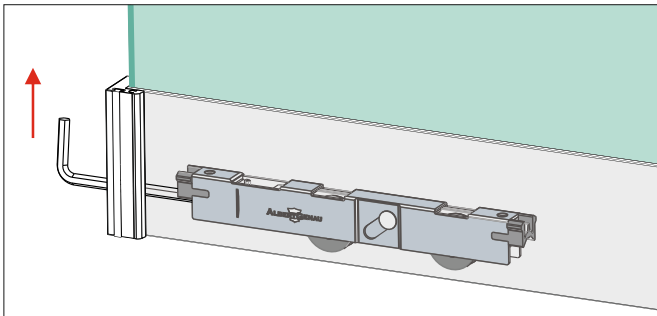
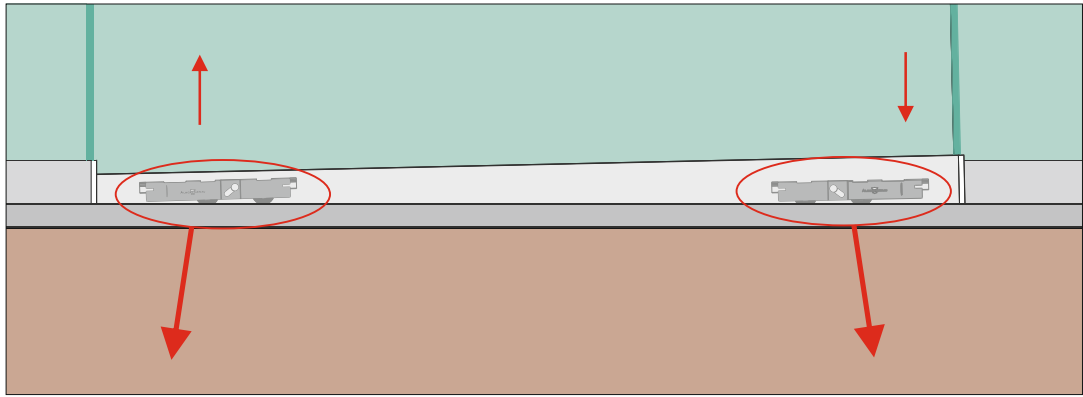
36

37

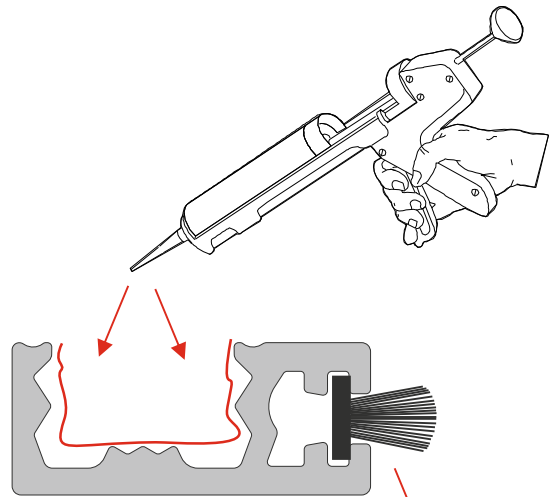
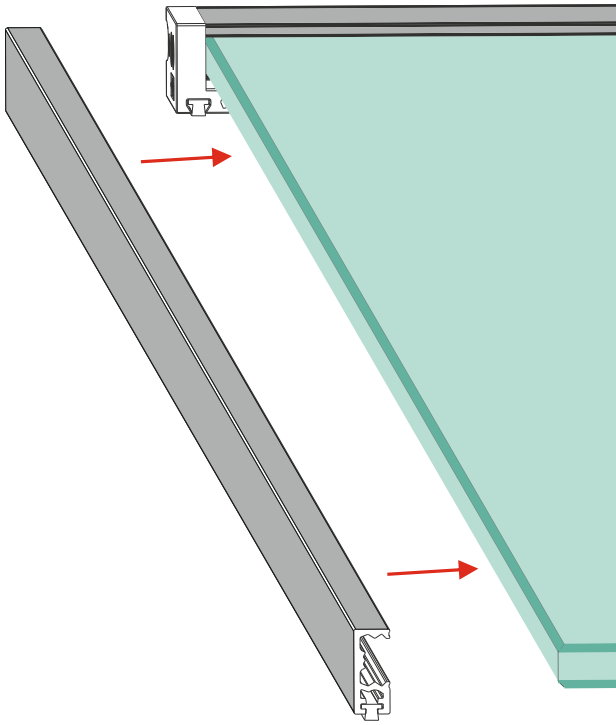


Check for glass alignment!

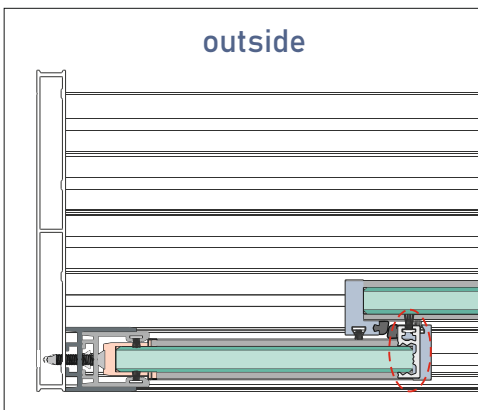




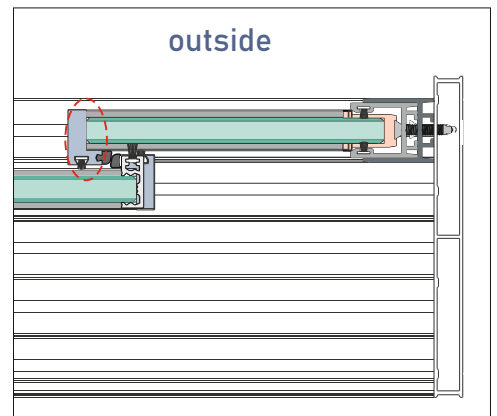
39



Page 75



The vertical profile is pointed outside (in order no to see the brush gaskets from inside). Therefore, in this example case, the far right end panel is manufactured without vertical profile.



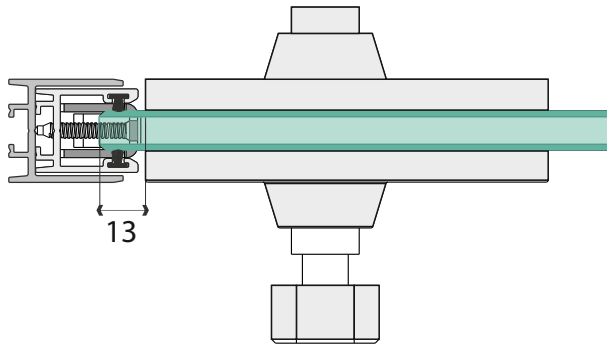
outside



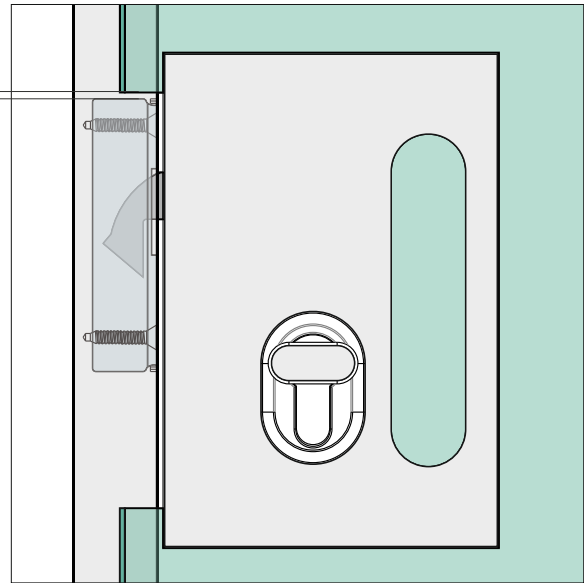
Telescopic Adjustment for Inox Glass Lock Side Set (**B05491**)

40

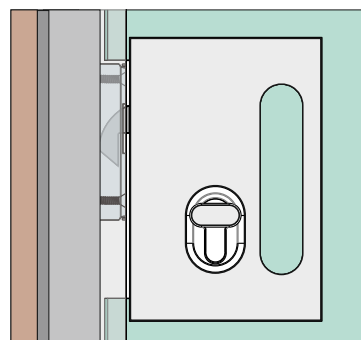
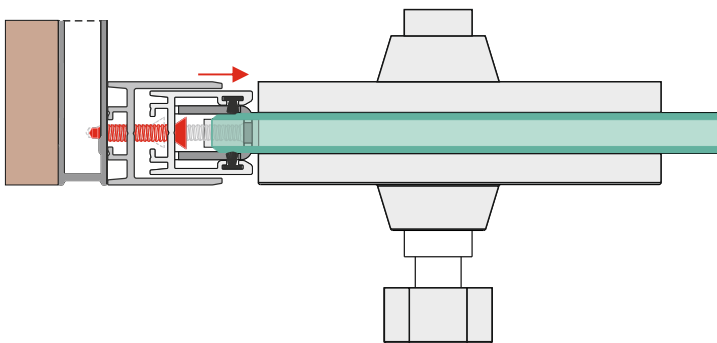
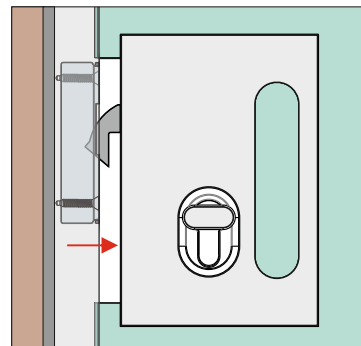
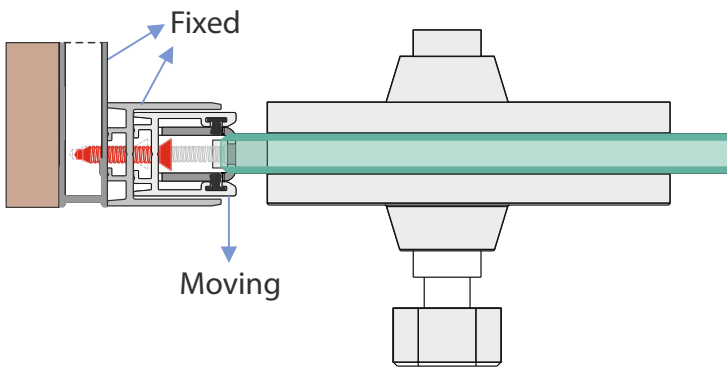
Remember from Pg. 68!



2mm

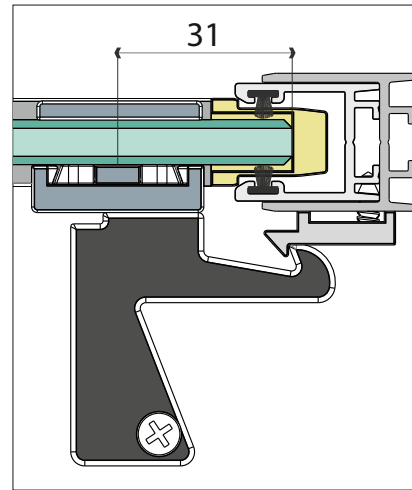
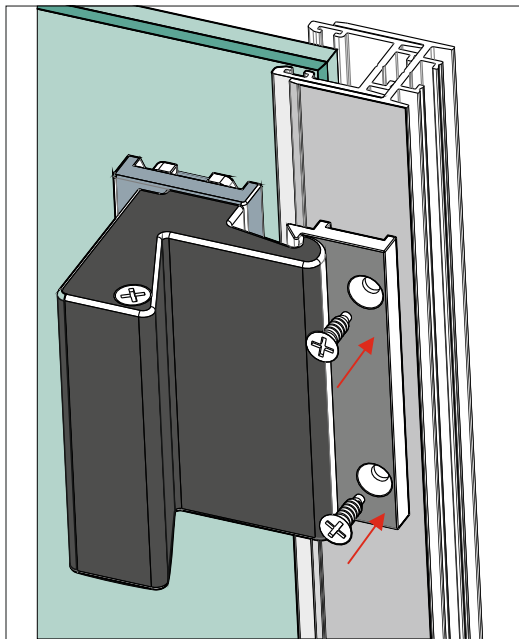


Check for lock strike and glass adjustments!



Telescopic Adjustment for Smart Lock Side Set (B05484)

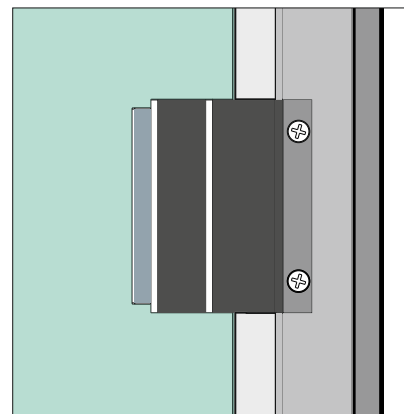
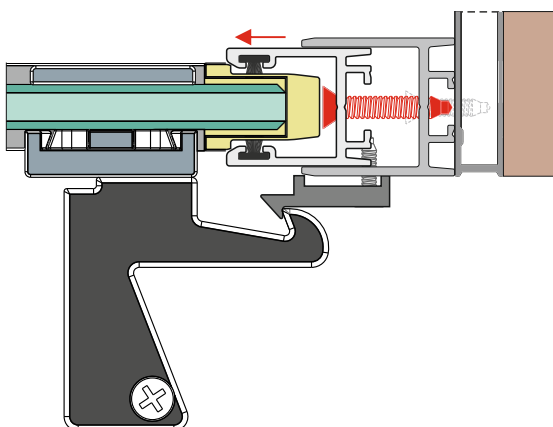
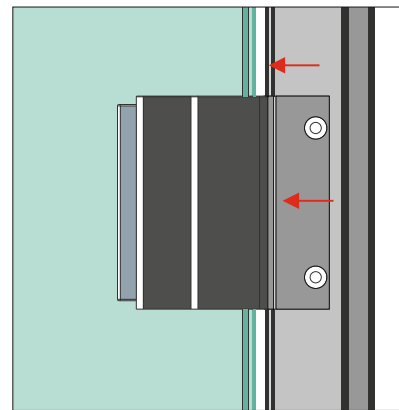
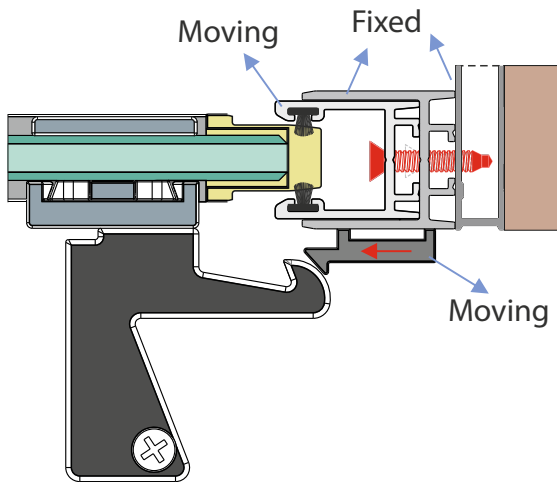
41



Remember from Pg. 69!



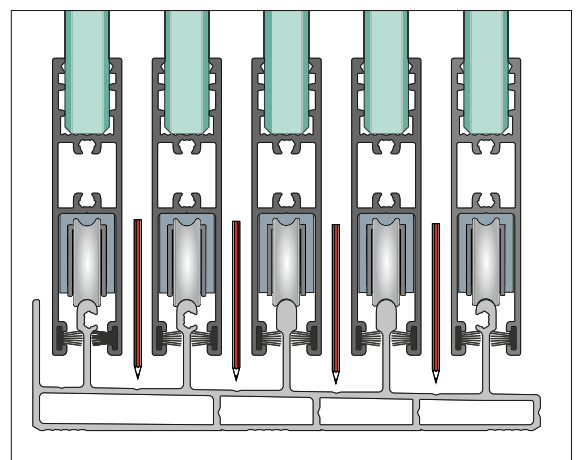
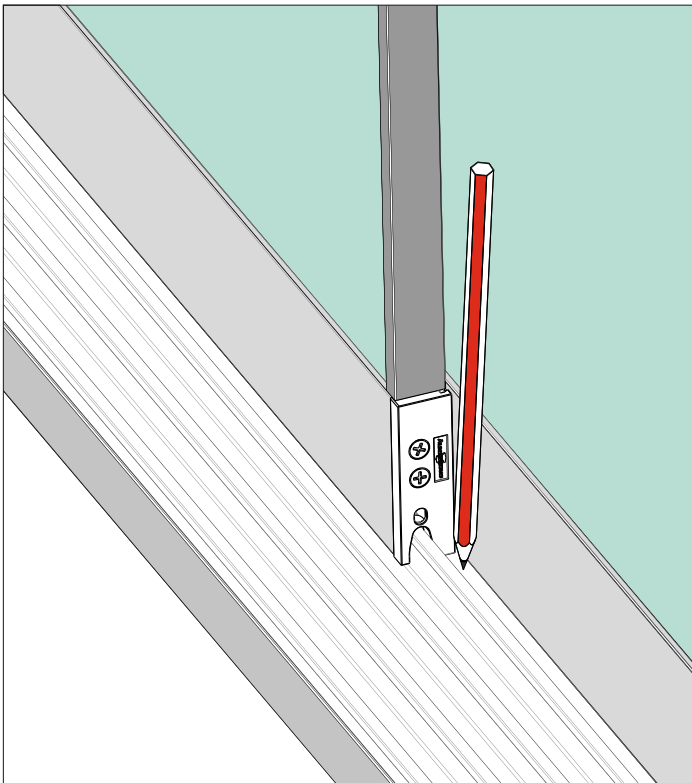
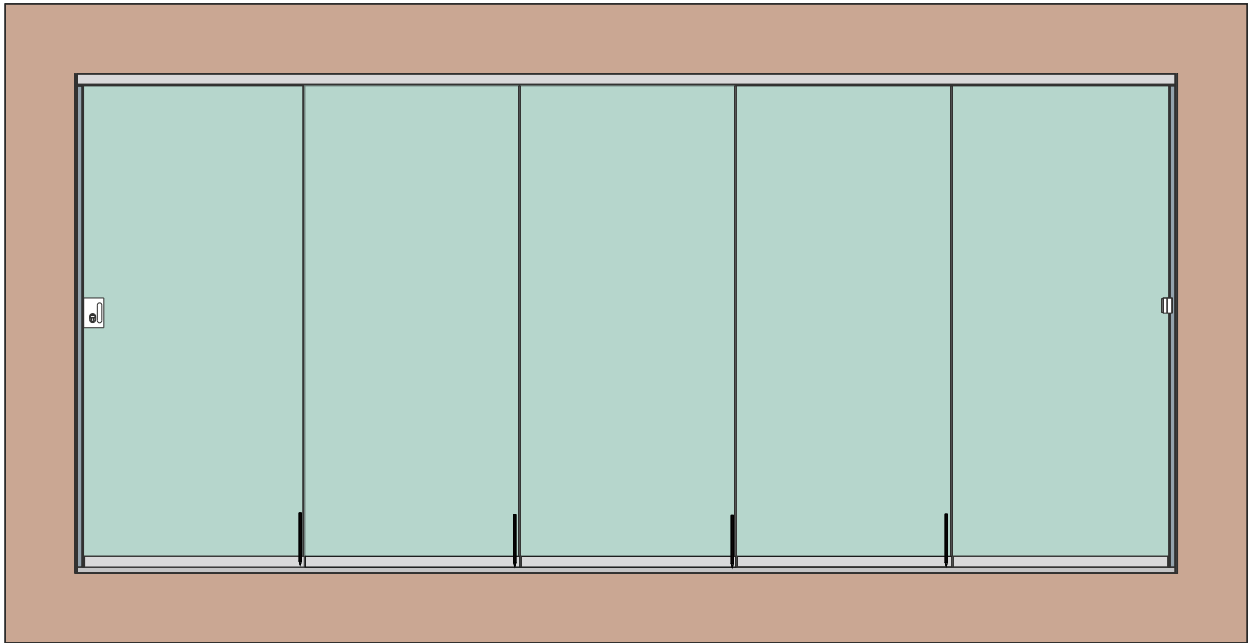
Check for lock strike and glass adjustments!



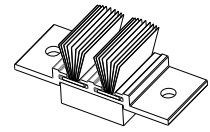
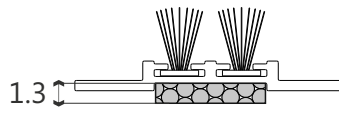
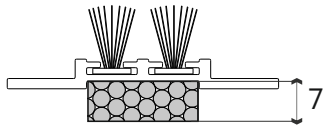
42



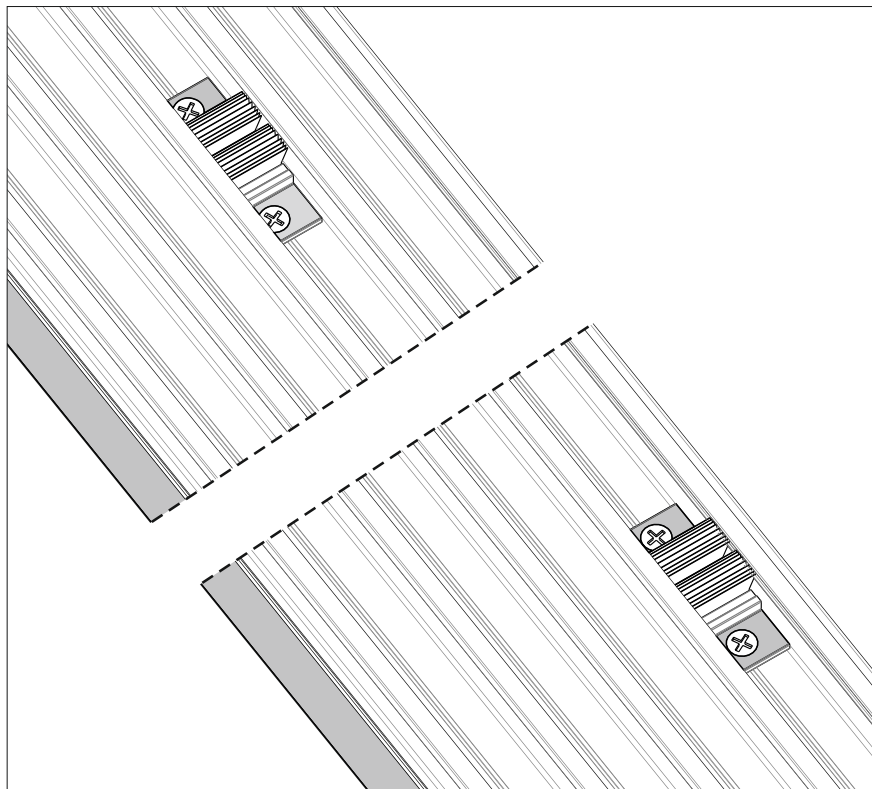
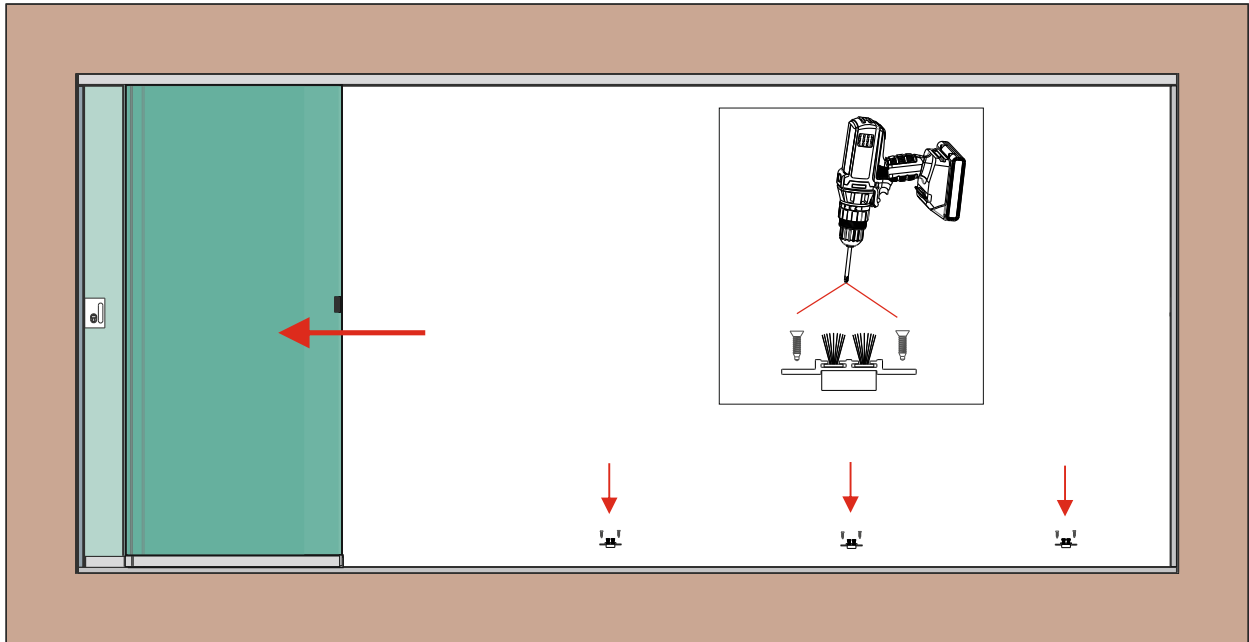
Mark panel intersections!



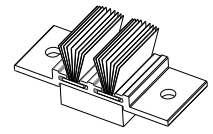
43



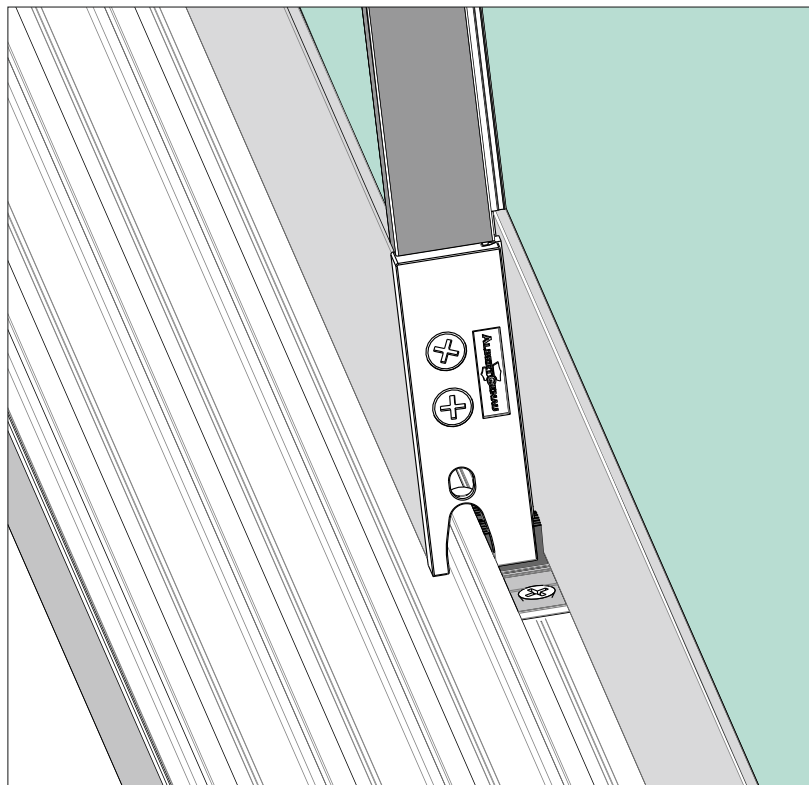
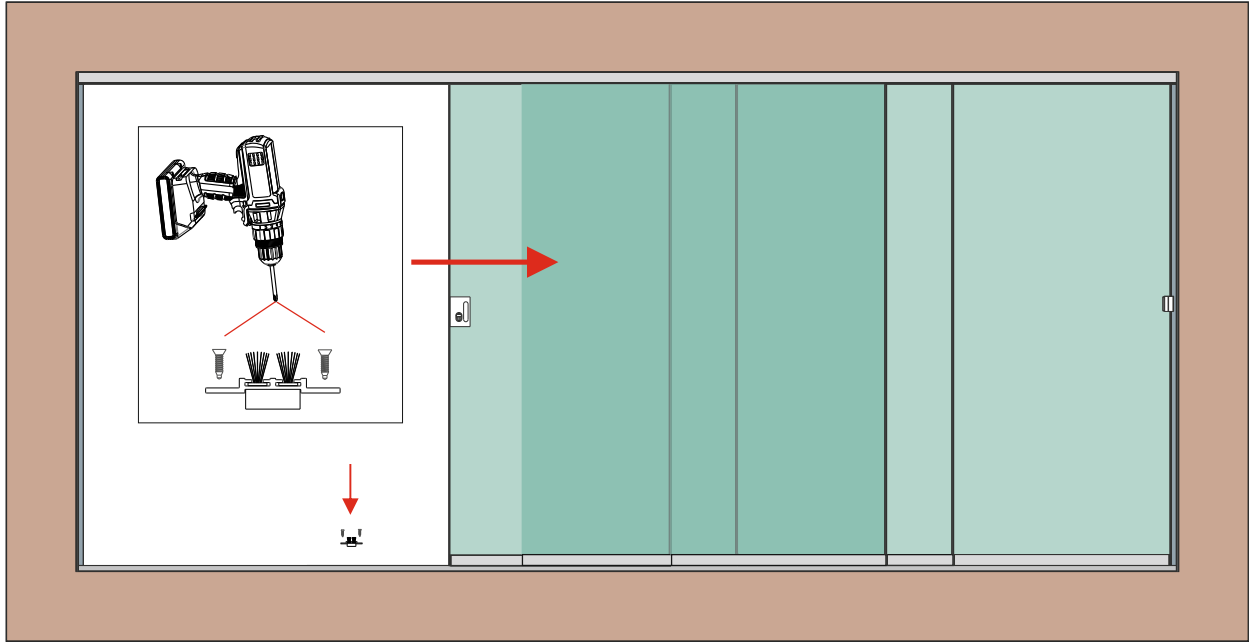
B8502166



44



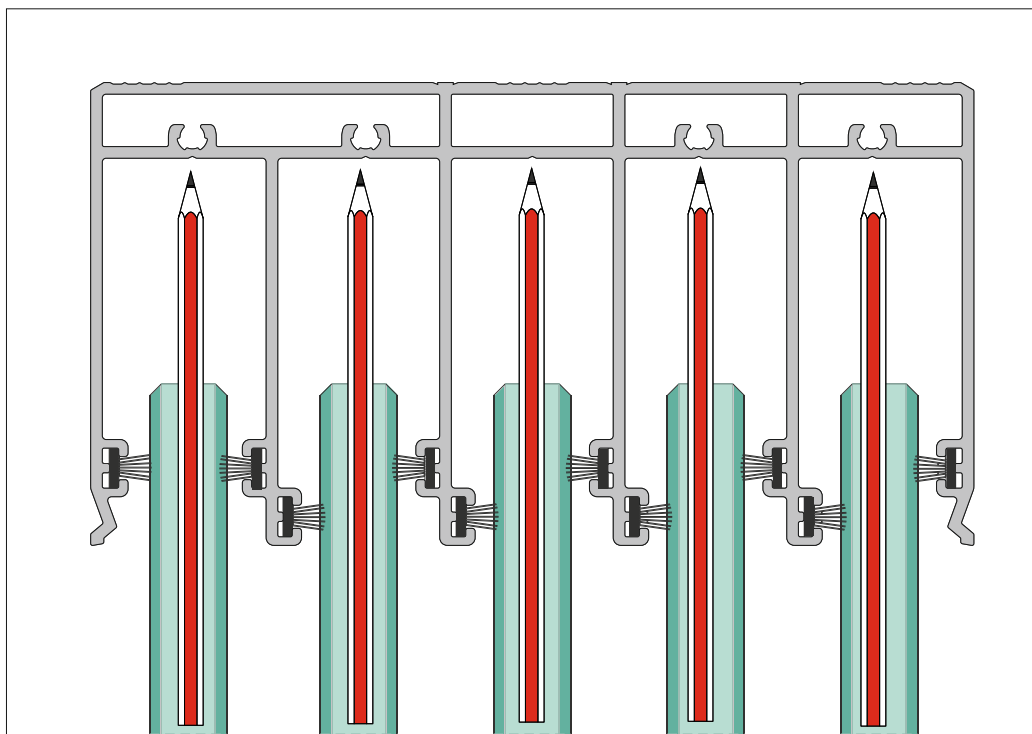
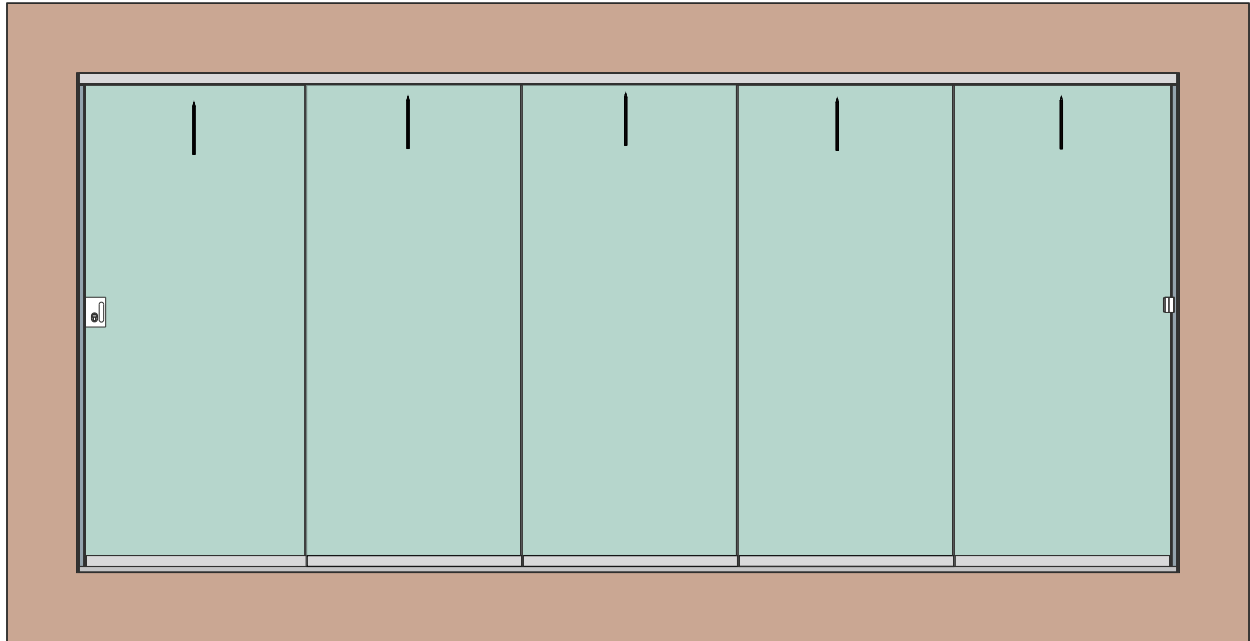
B8502166



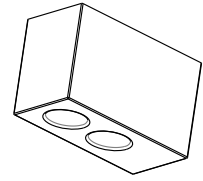
45



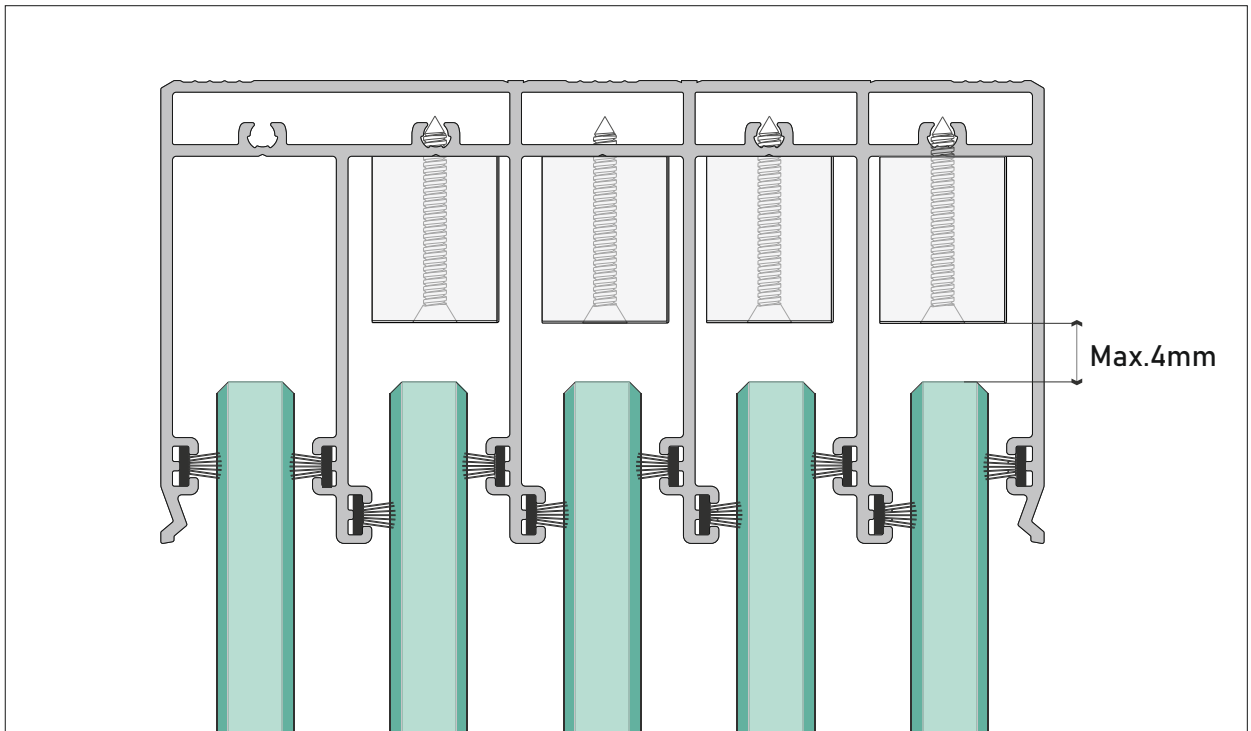
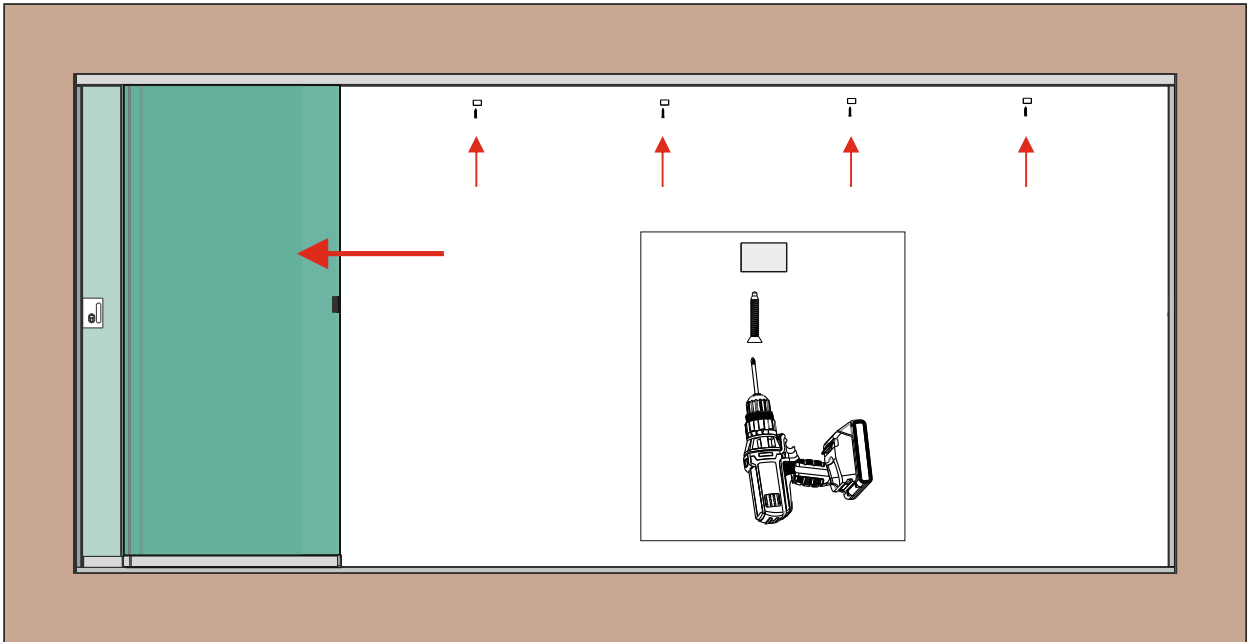
Mark the middle of the panels !



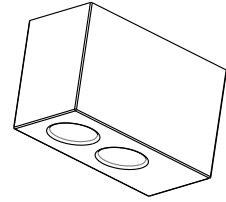
46



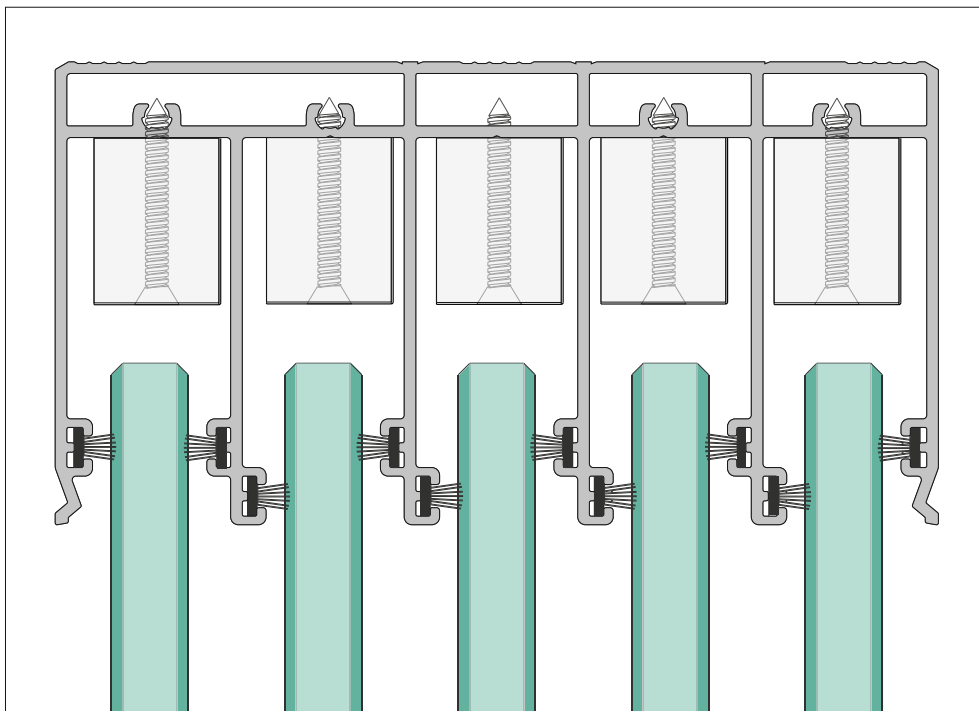
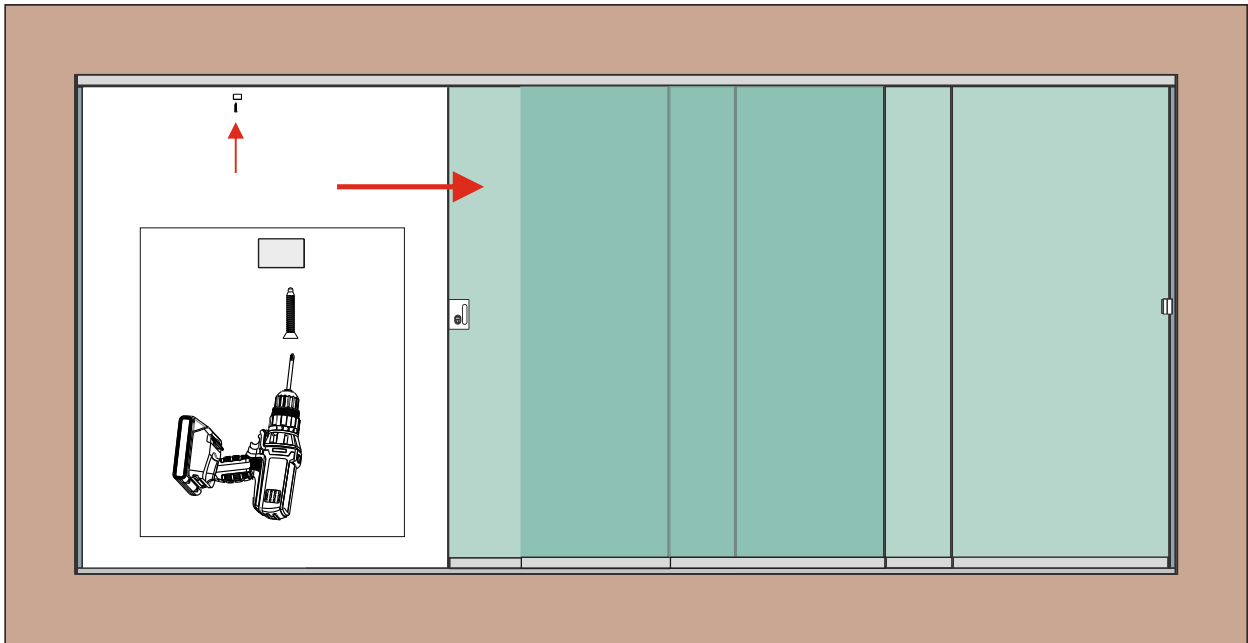
B8502174



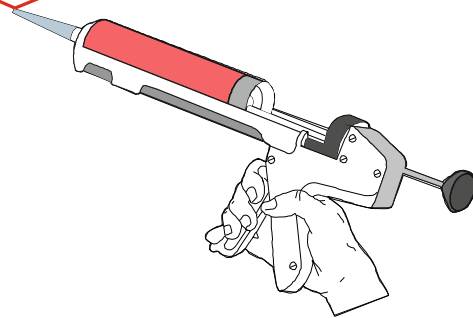
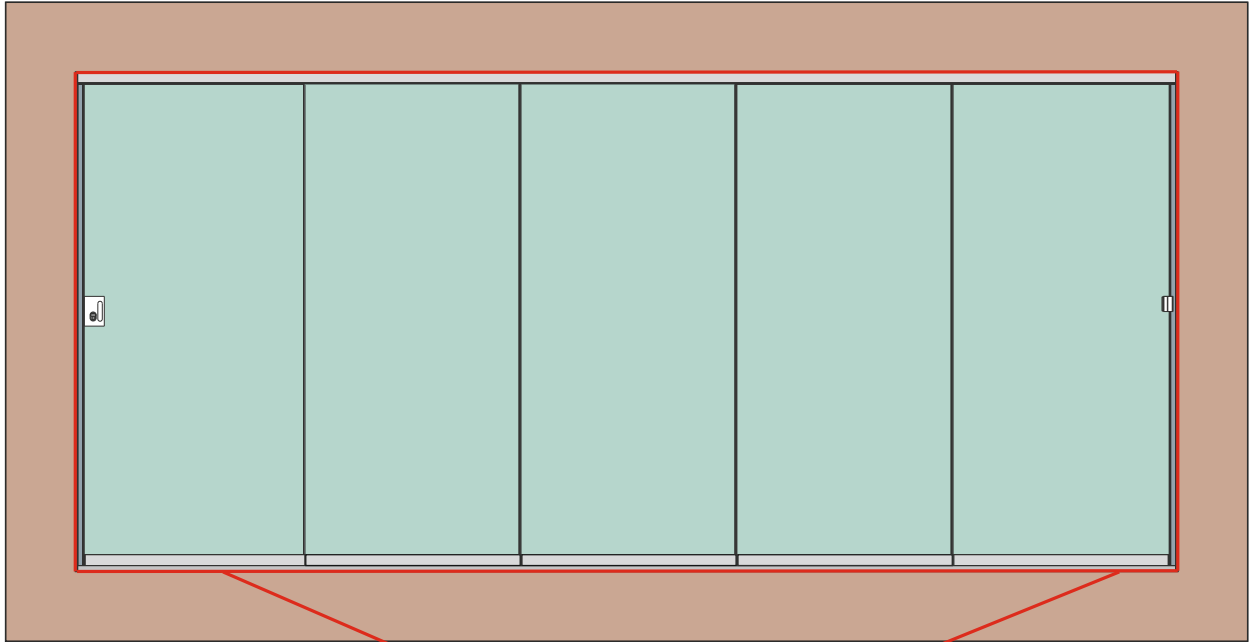
47



B8502174

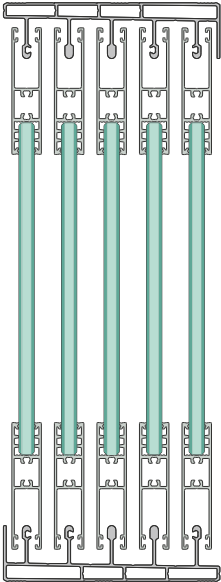


48

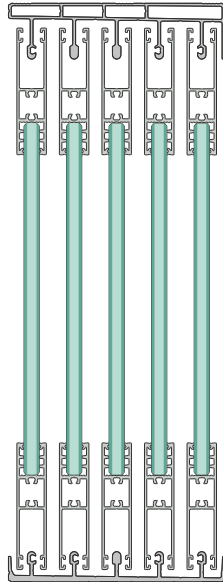


Do not cover water drainage holes with silicone!

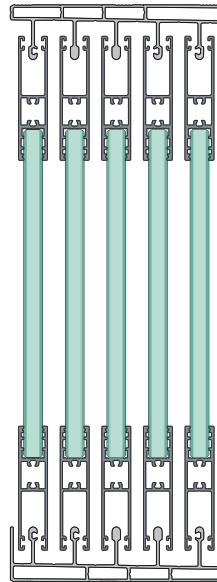
All Isolation System Installation



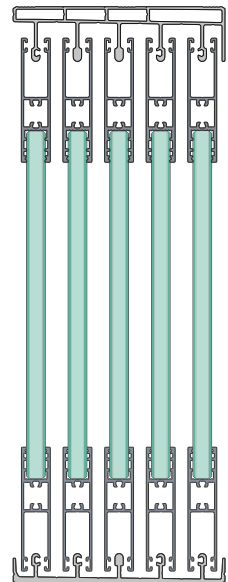
**All Isolation
Slider Next 8**
with
threshold bottom rail



**All Isolation
Slider Next 8**
with
flat bottom rail



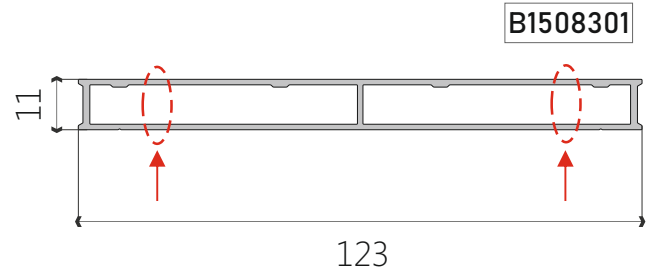
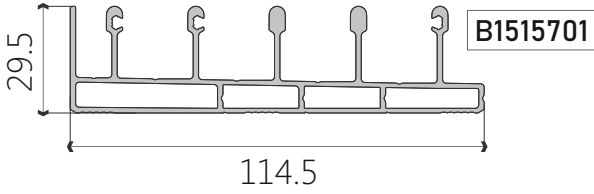
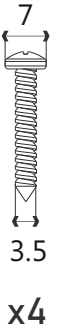
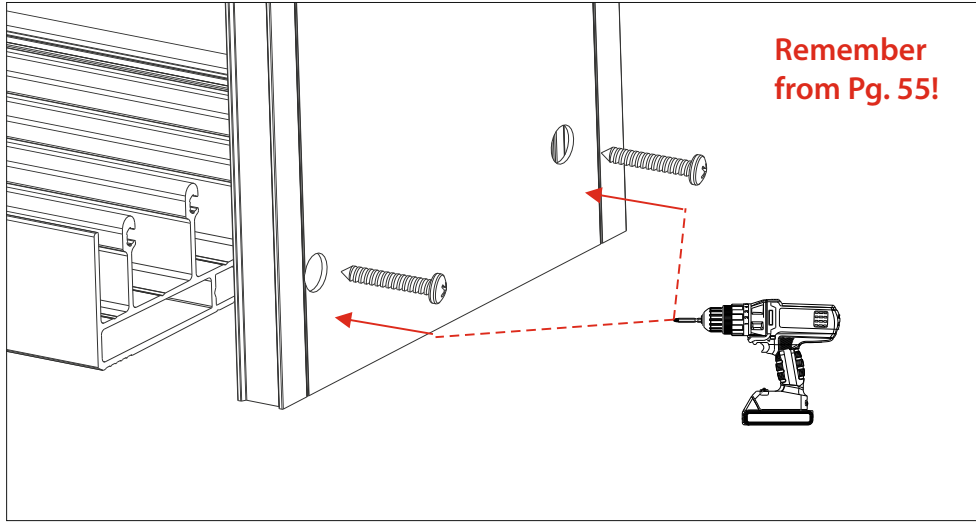
**All Isolation
Slider Next 10**
with
threshold bottom rail



**All Isolation
Slider Next 10**
with
flat bottom rail

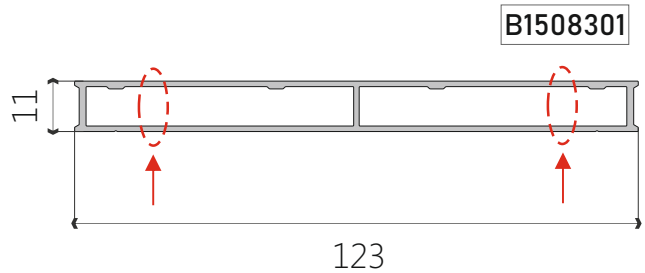
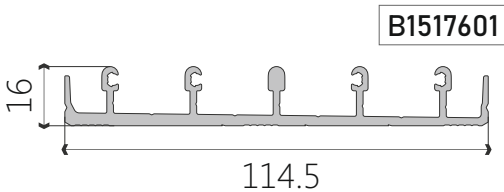
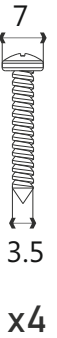
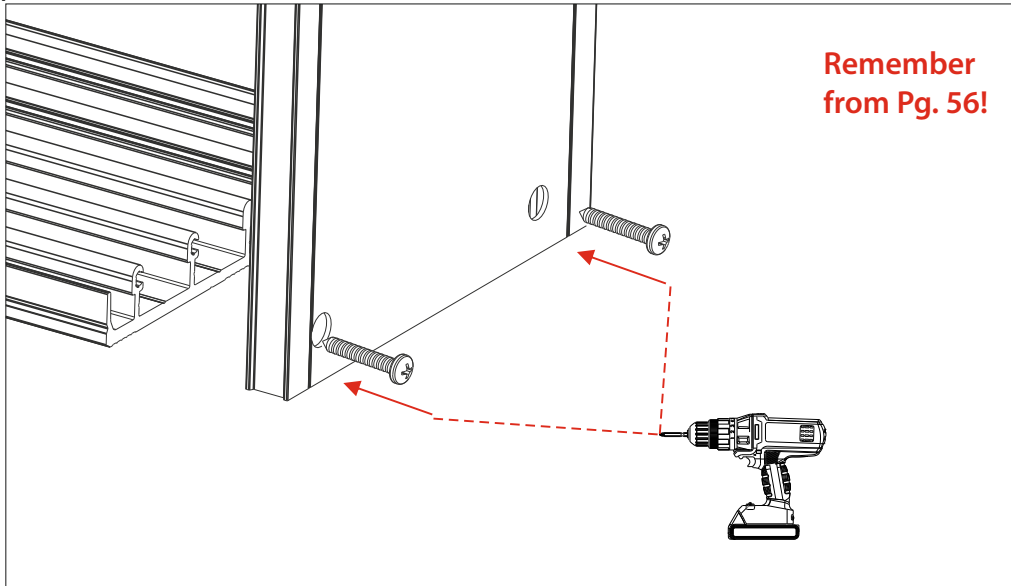
1

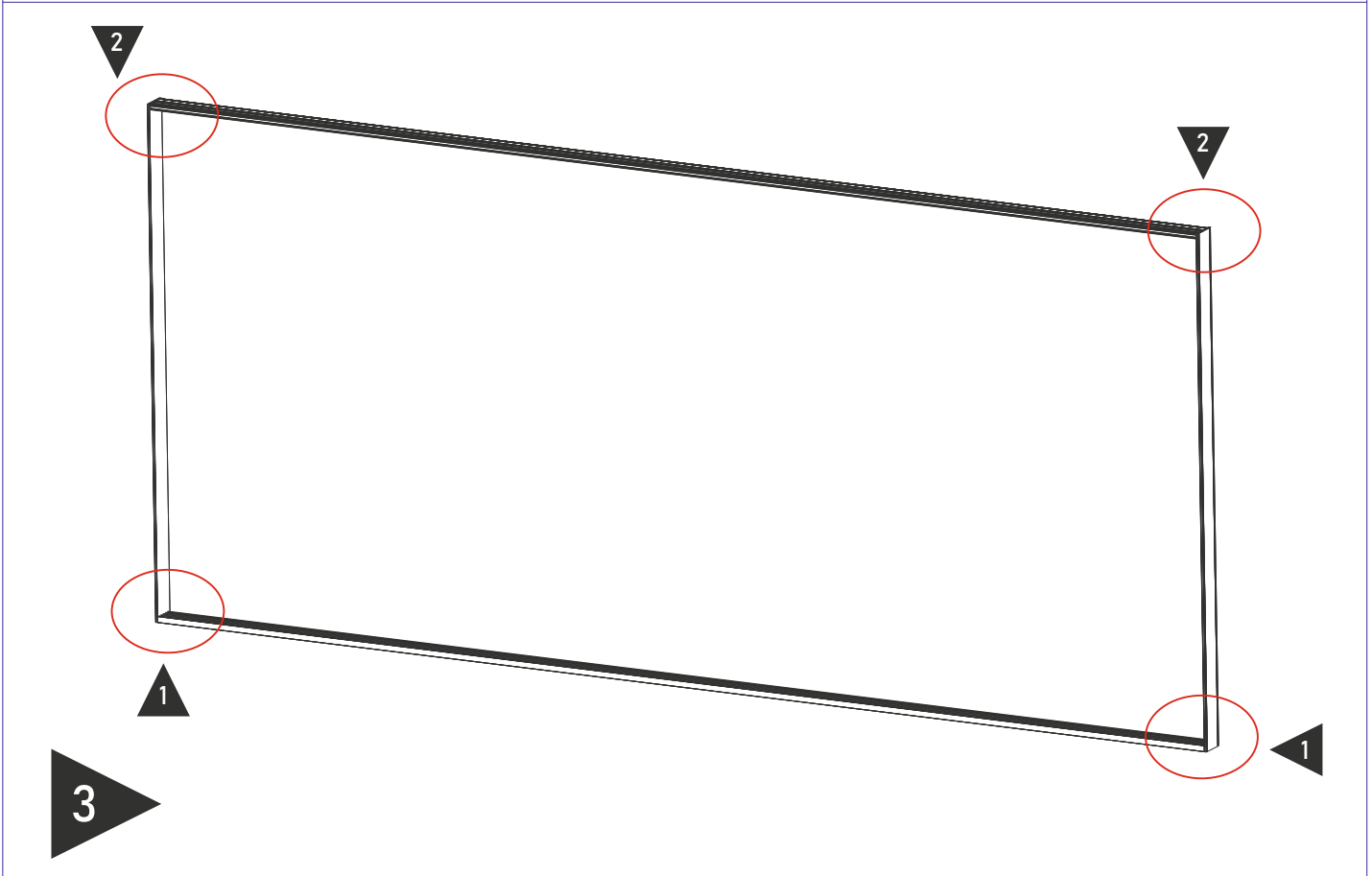
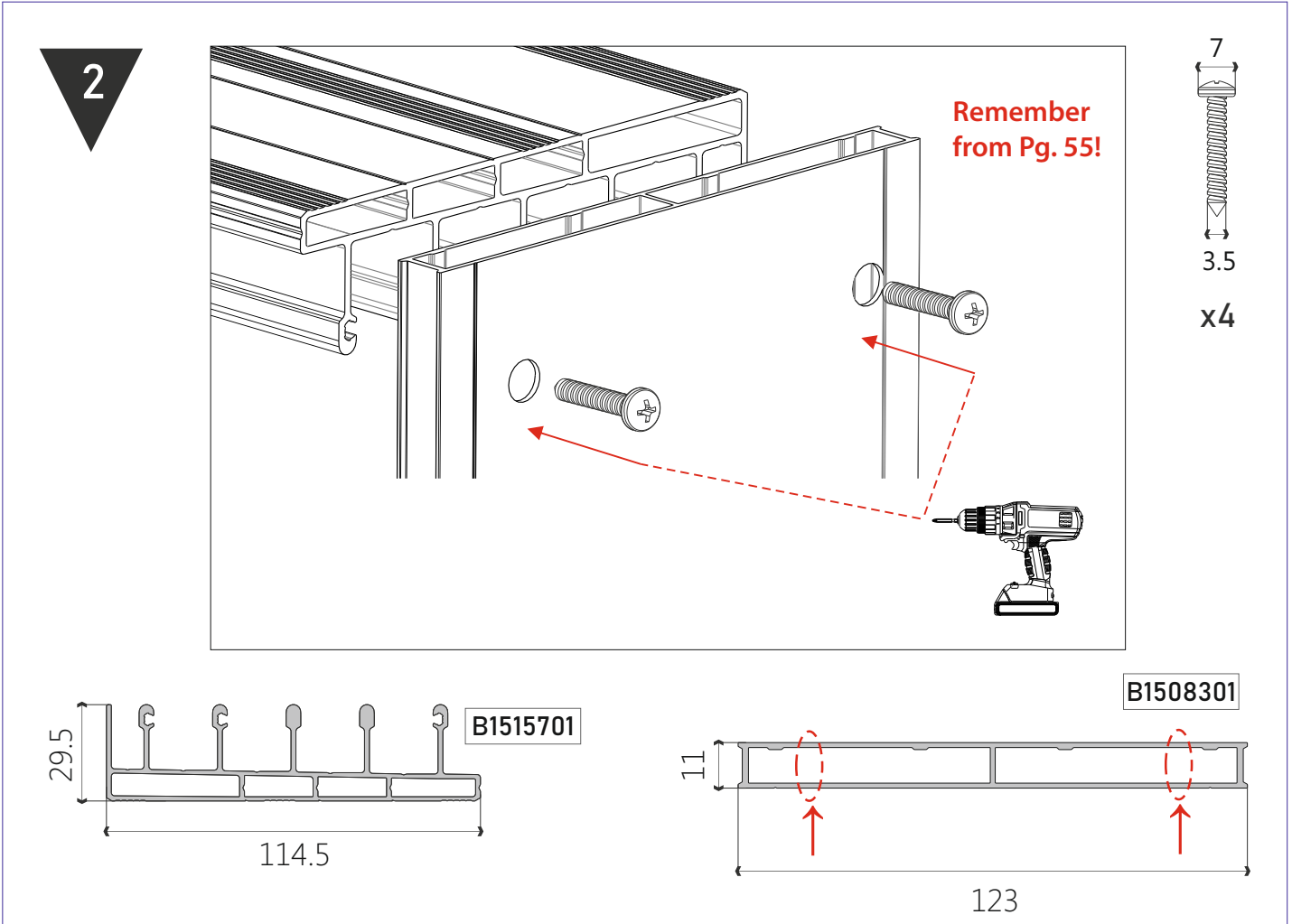
First Option!
(threshold bottom rail)



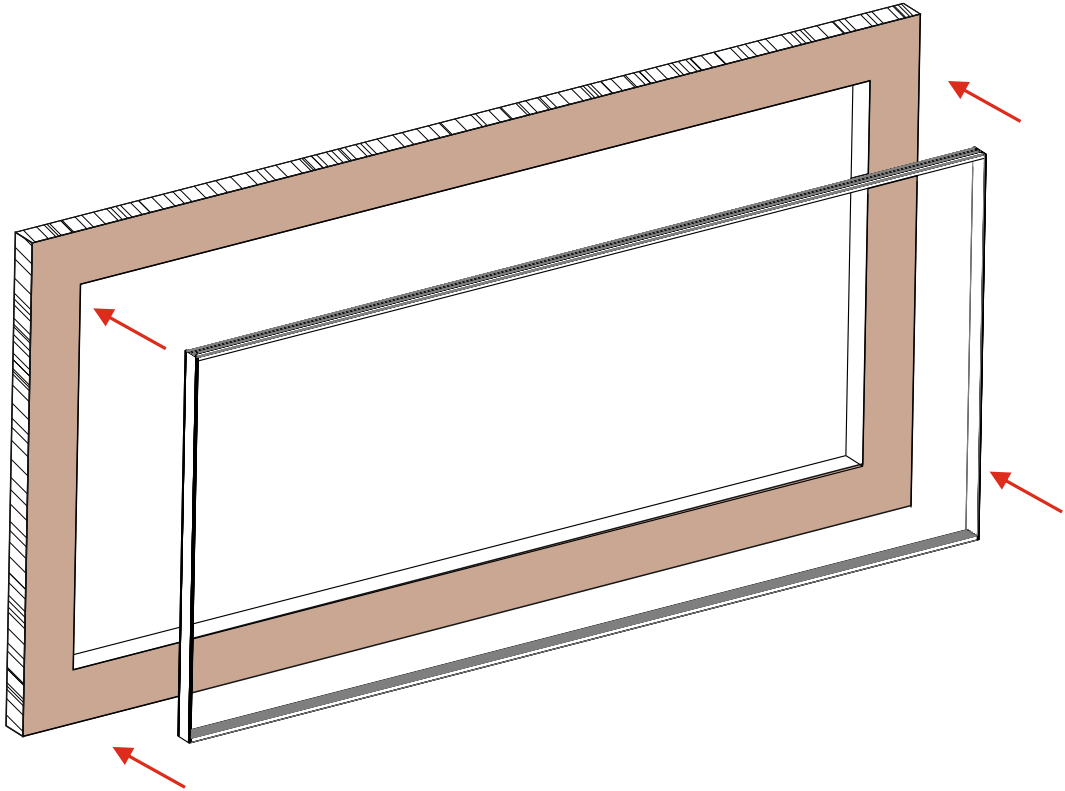
Second Option!

(flat bottom rail)

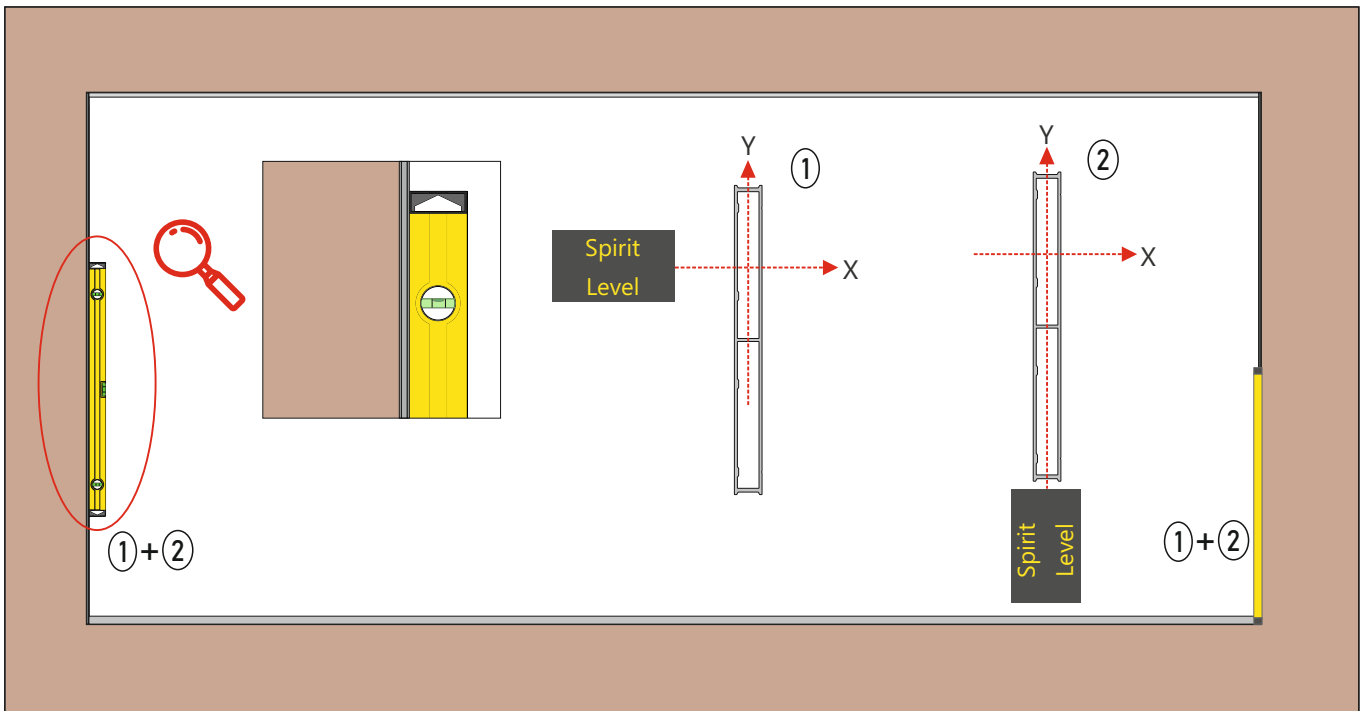




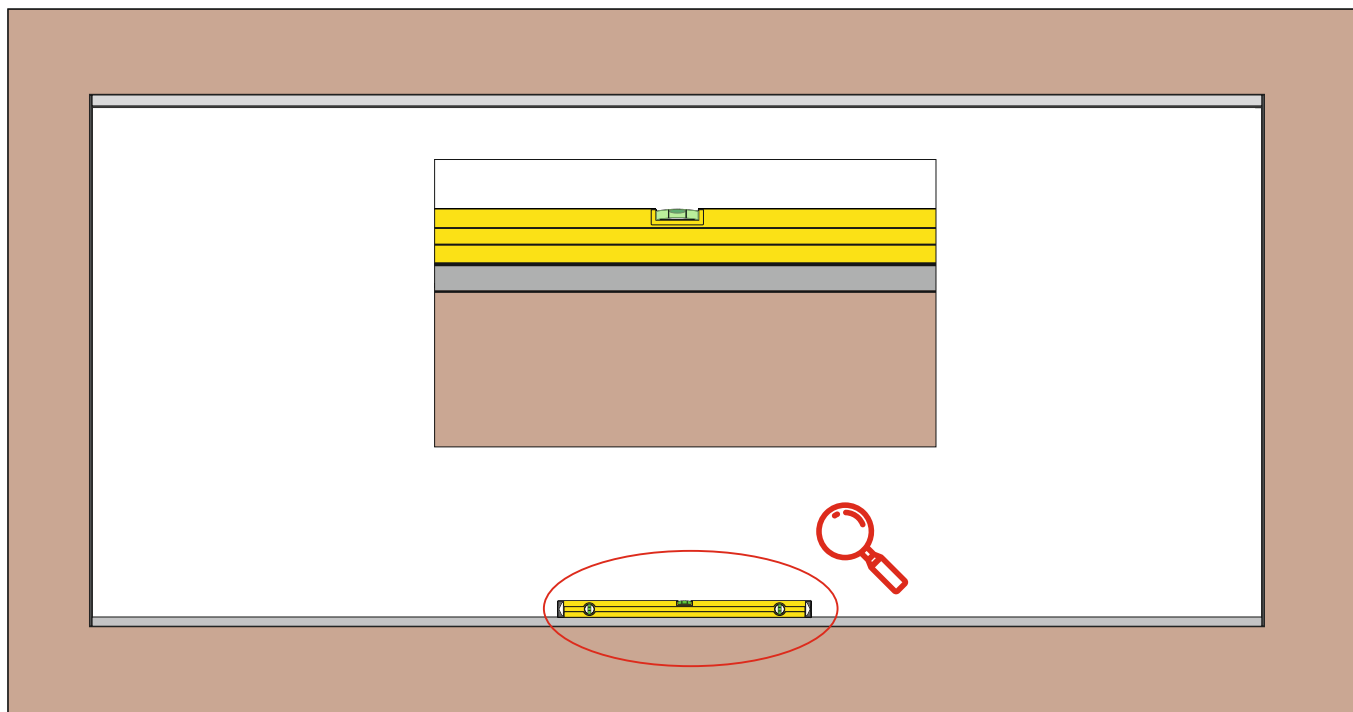
4



5

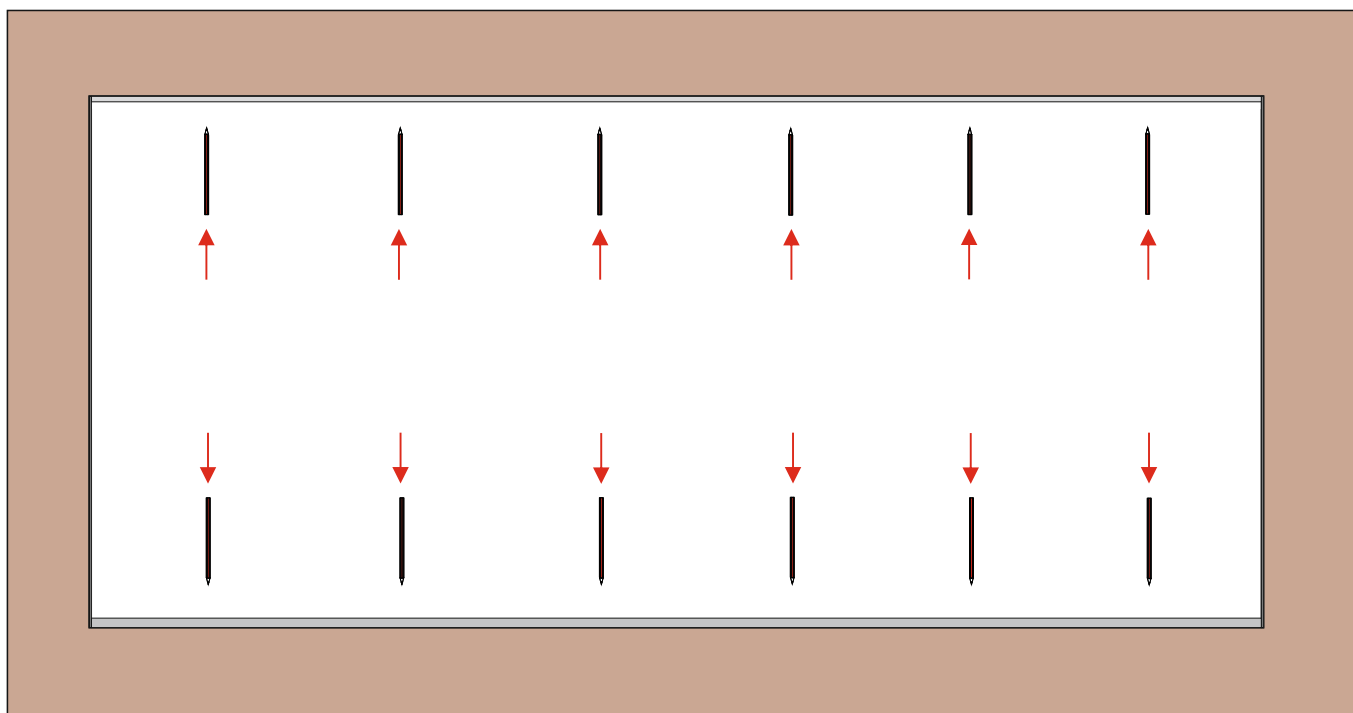


6



7

Mark the montage holes!

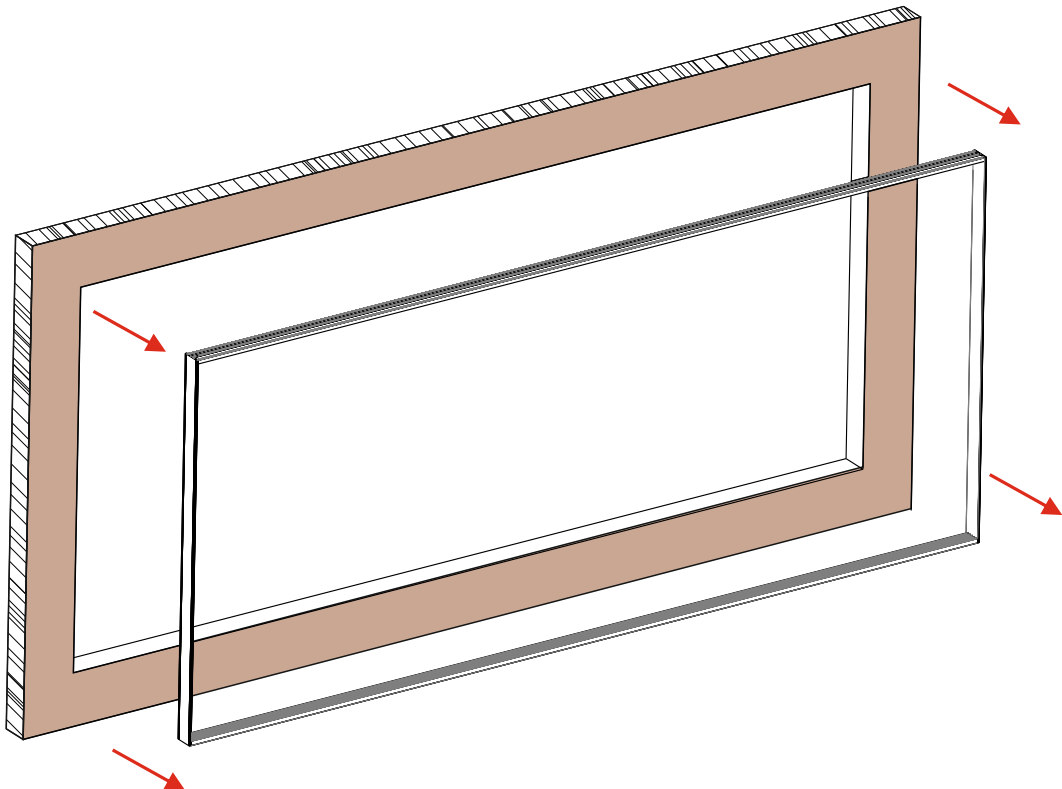


8

Mark the montage holes!

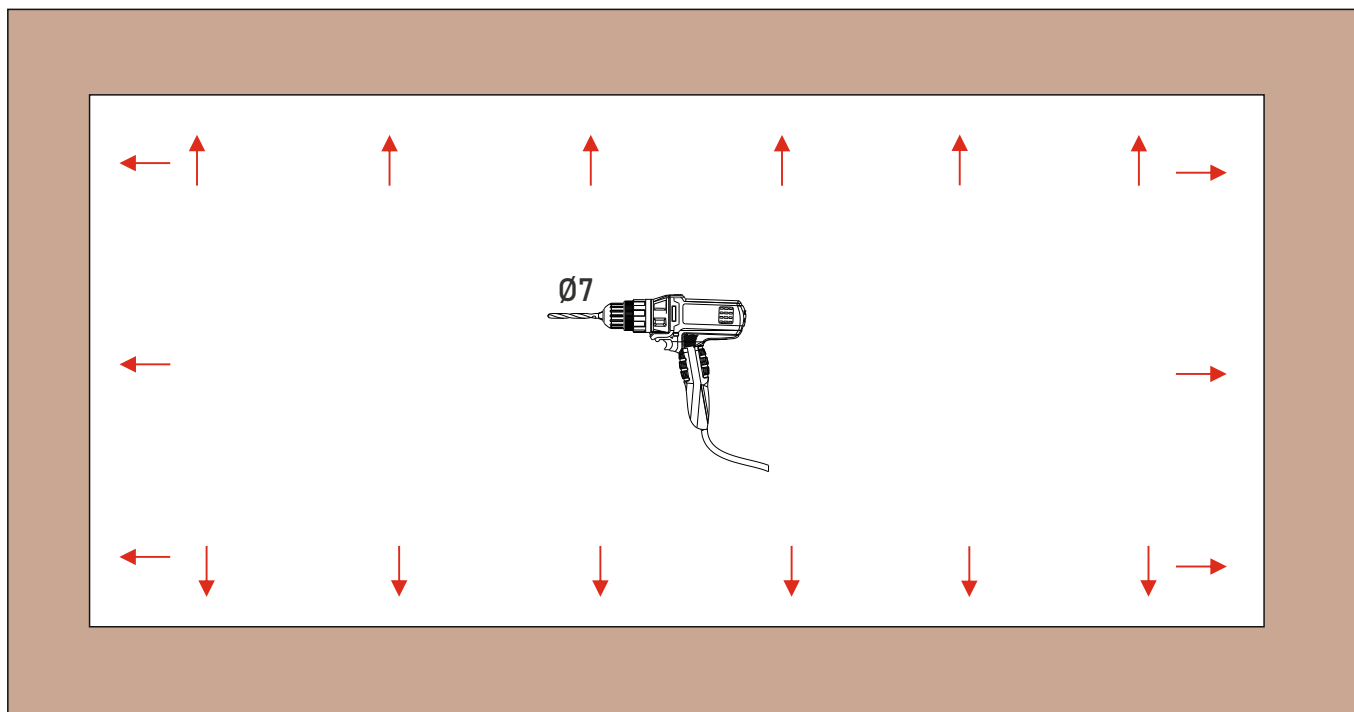


9

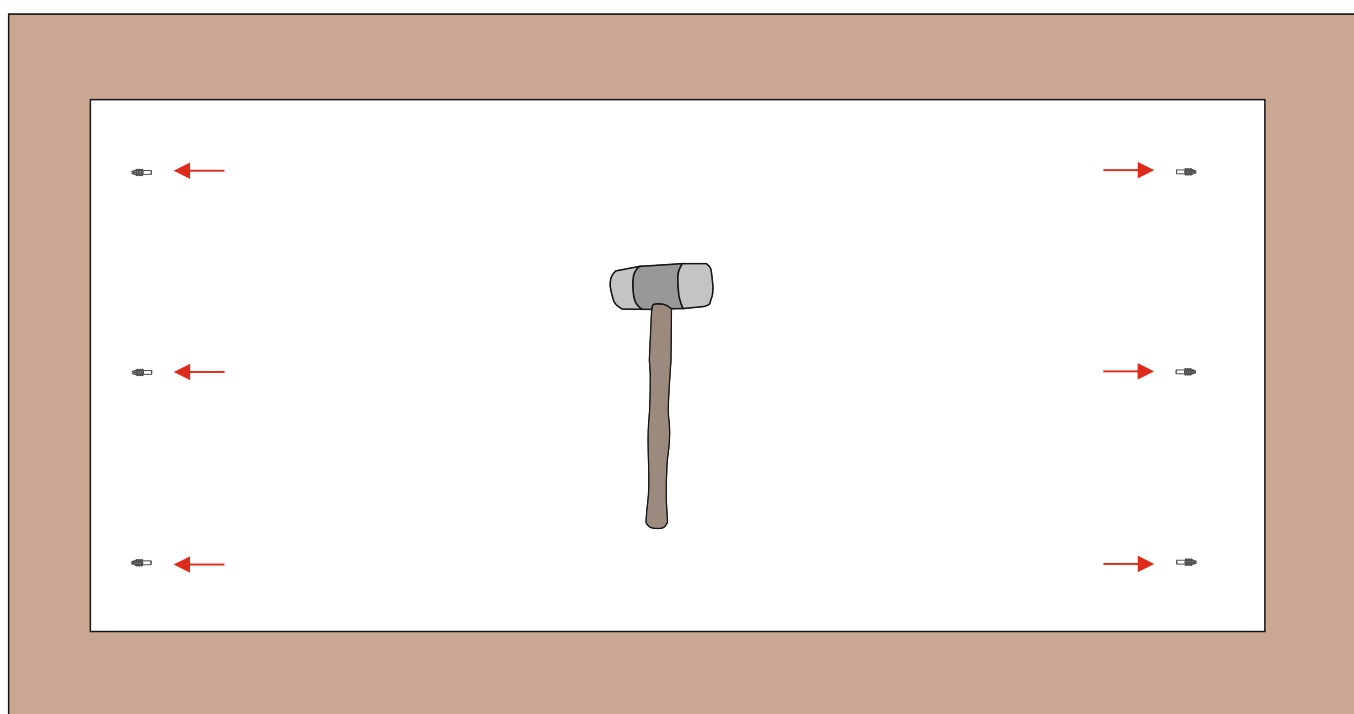
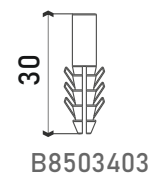


10

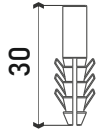
Drill the marked holes!



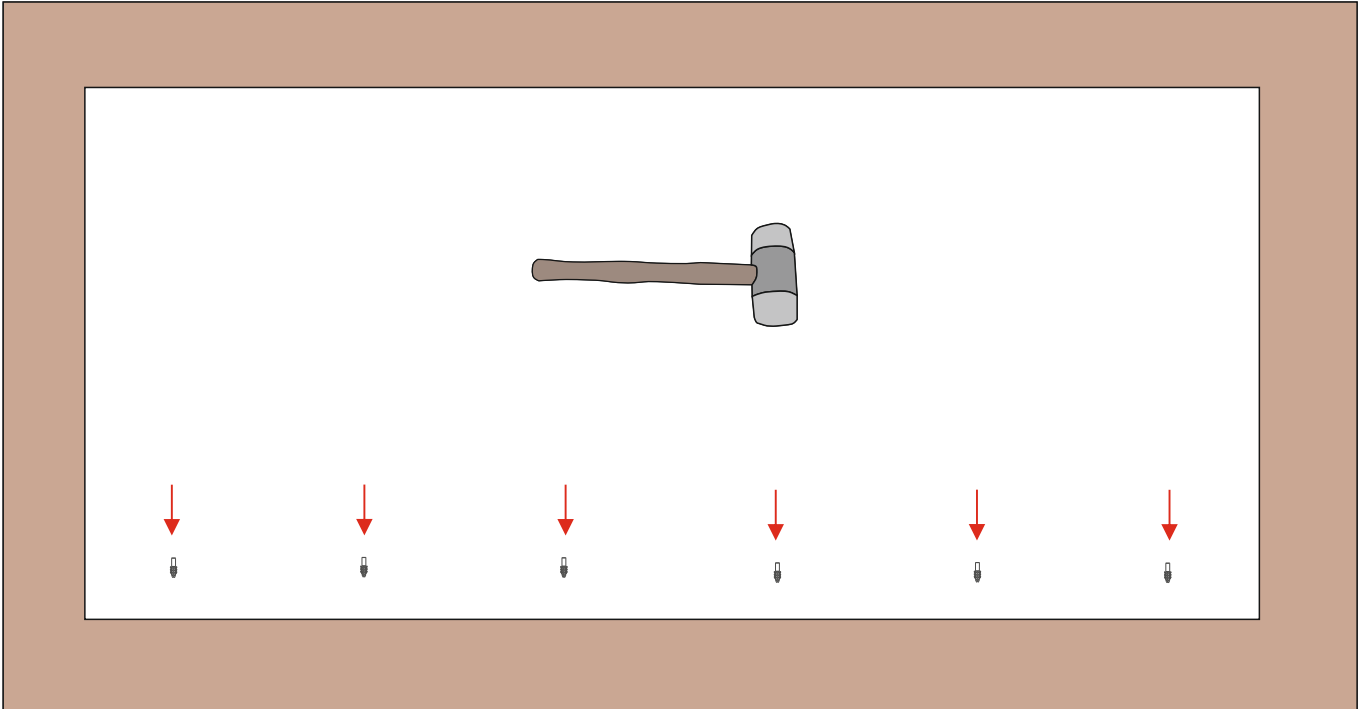
11



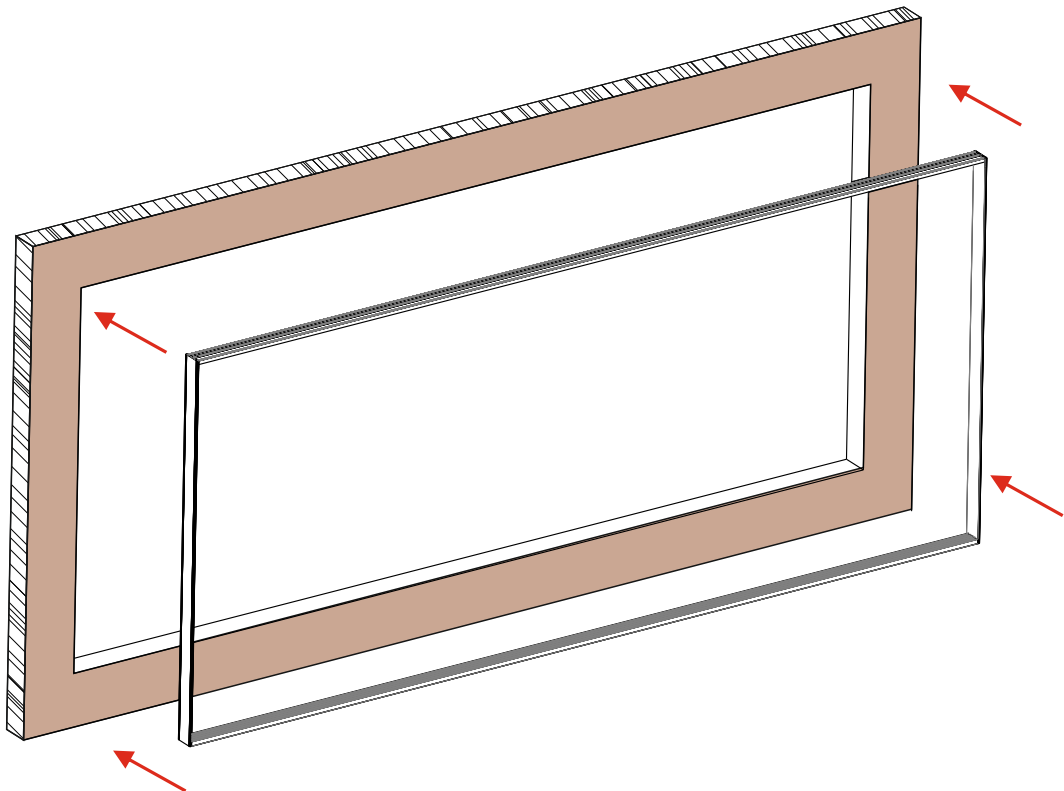
12



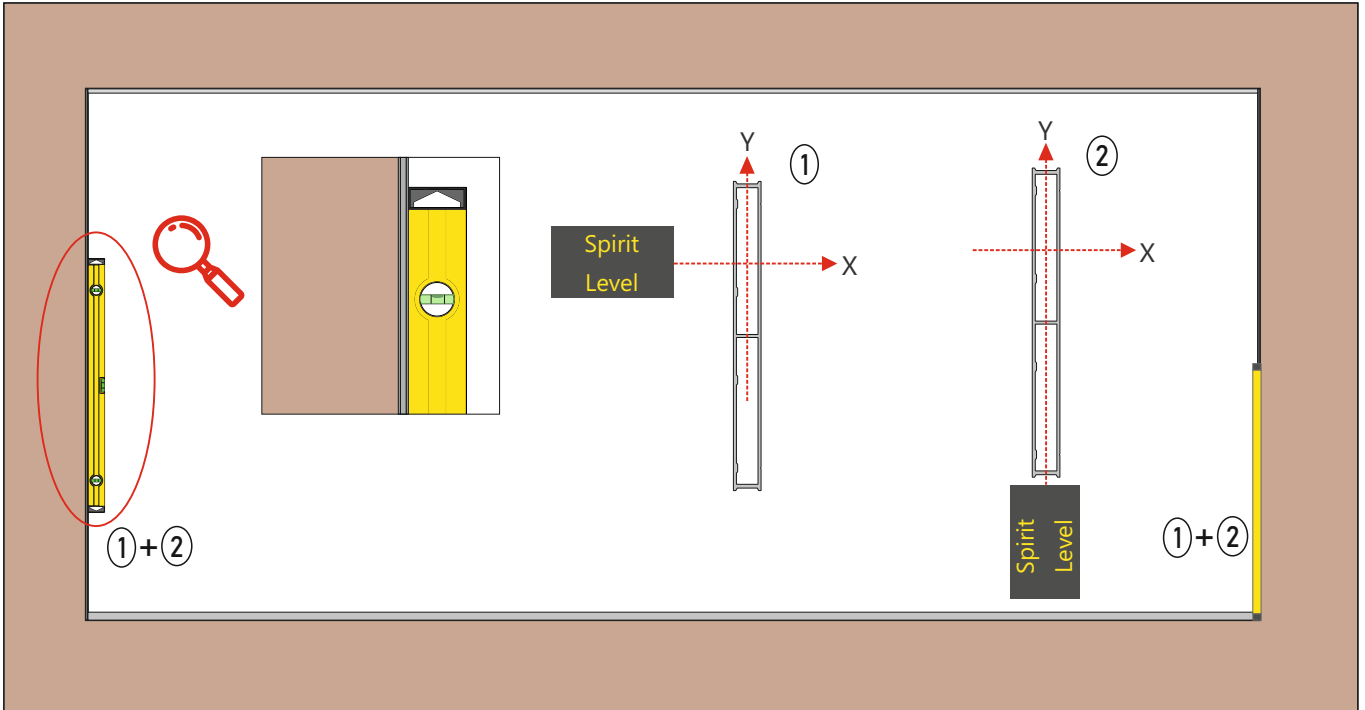
B8503403



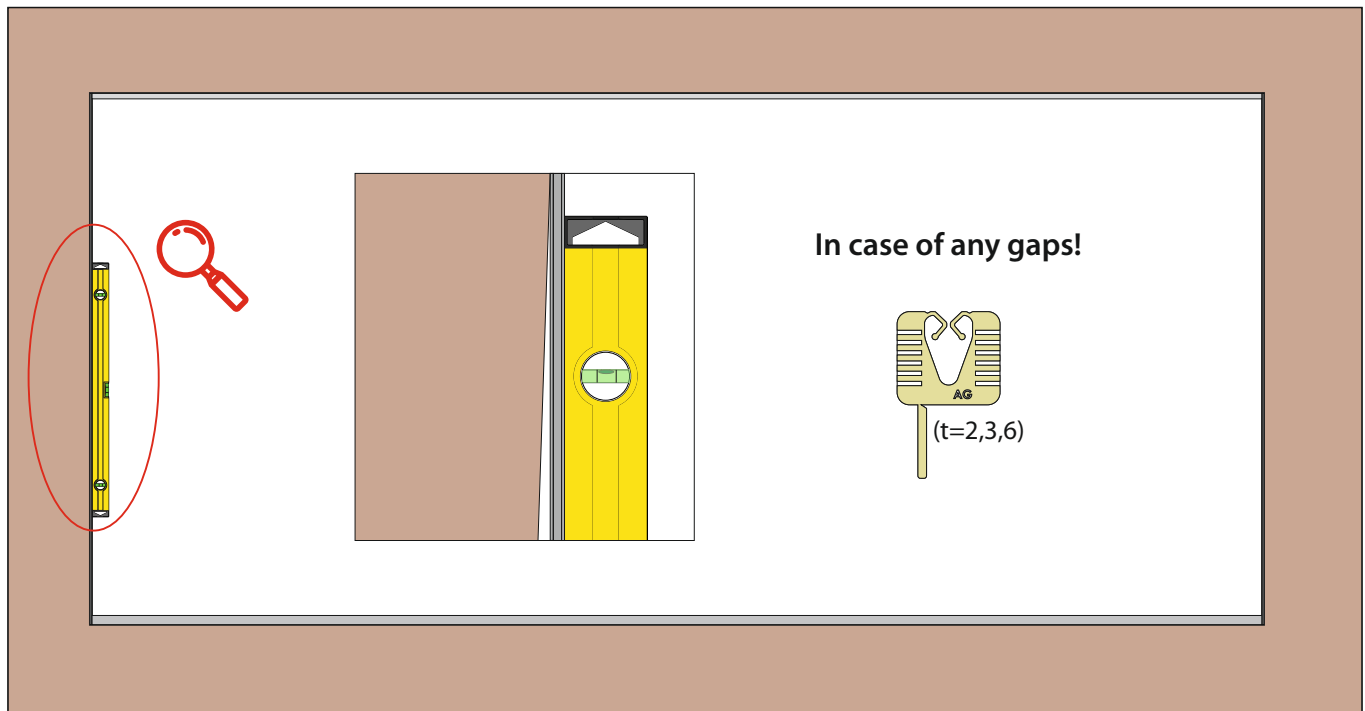
13



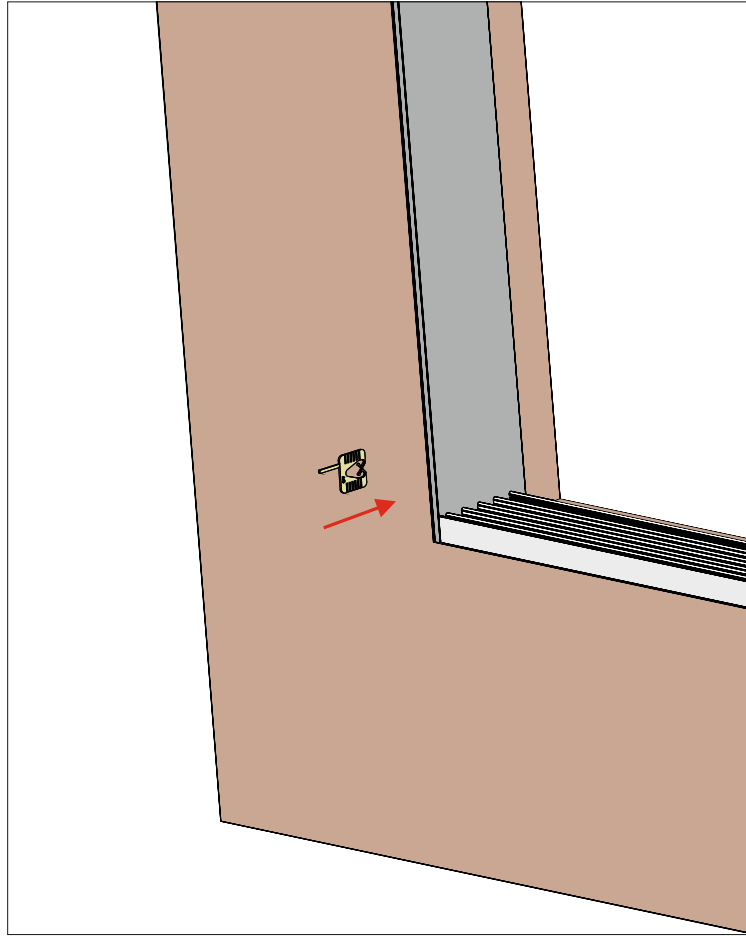
14



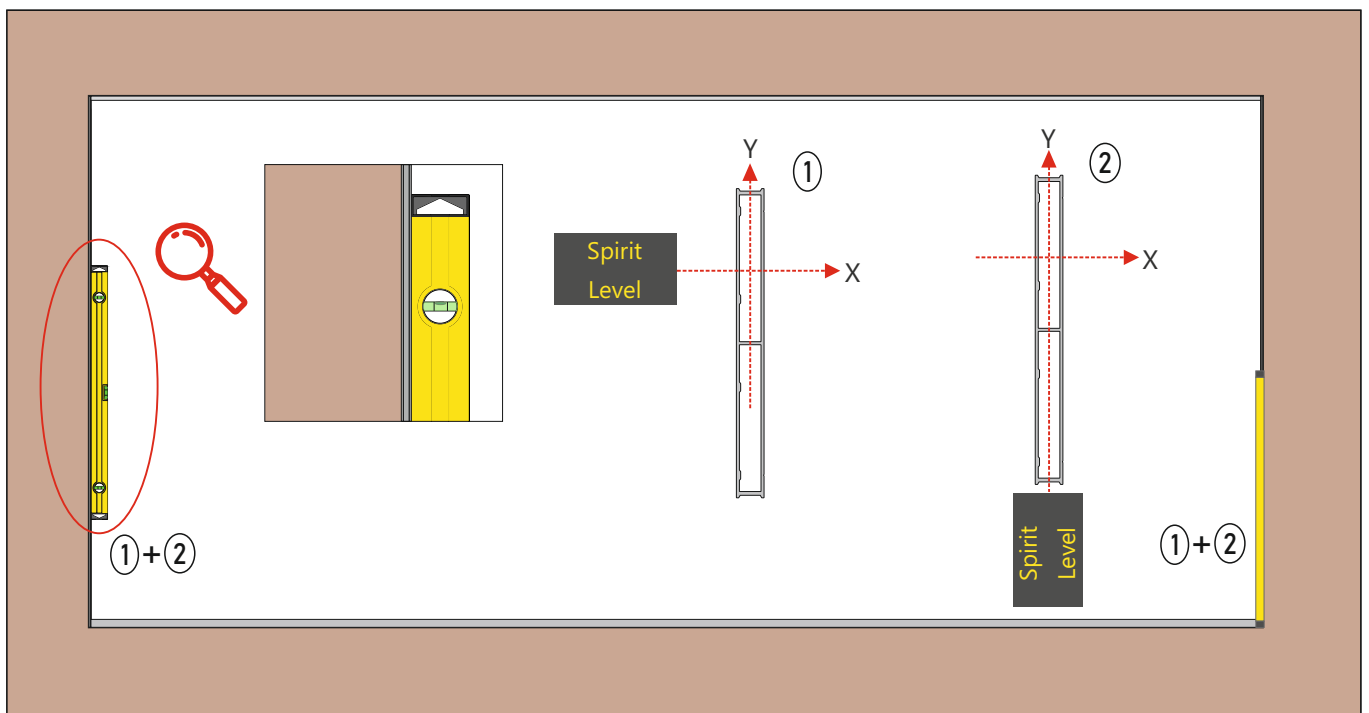
15



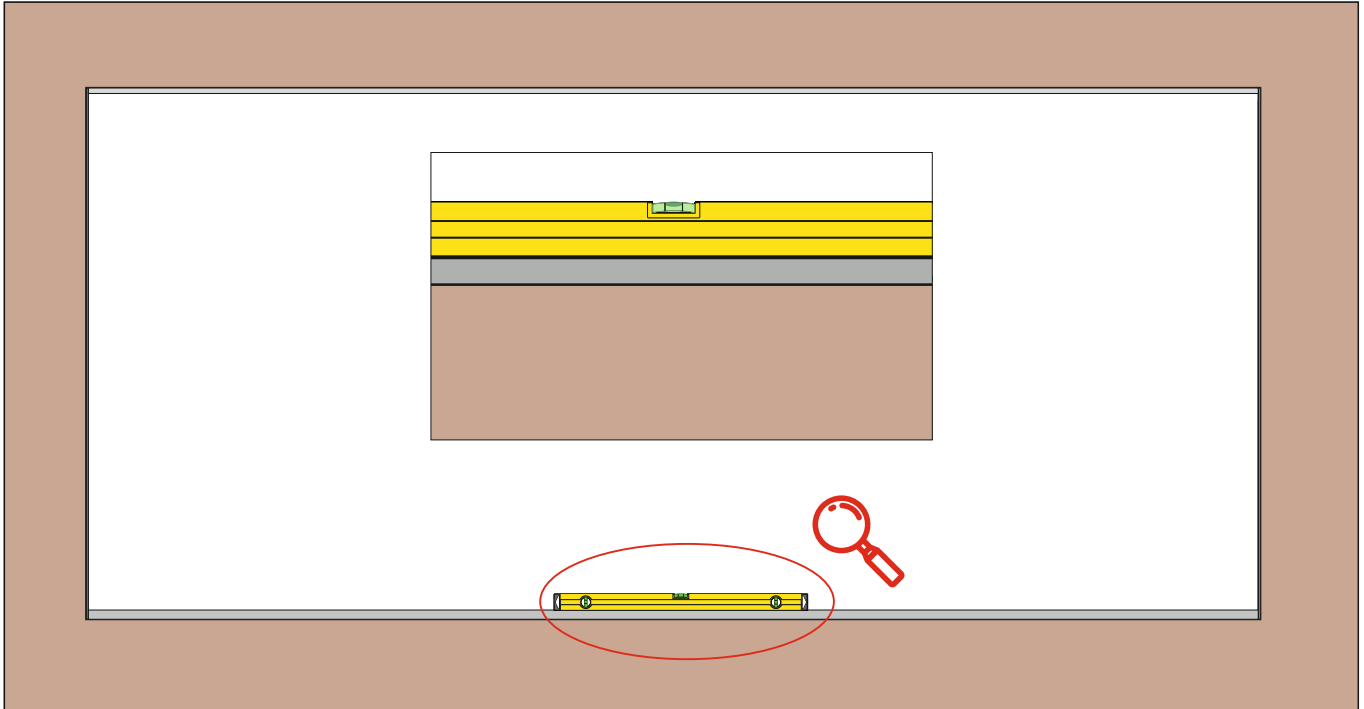
16



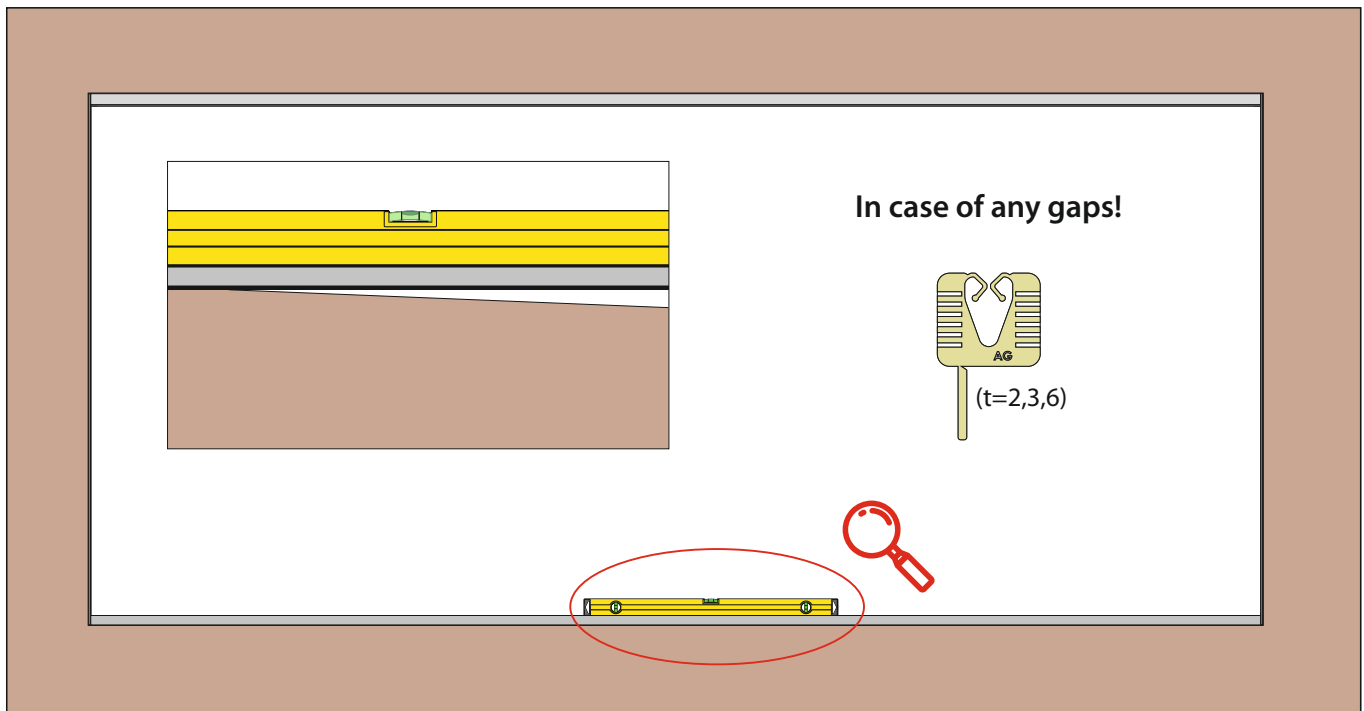
17



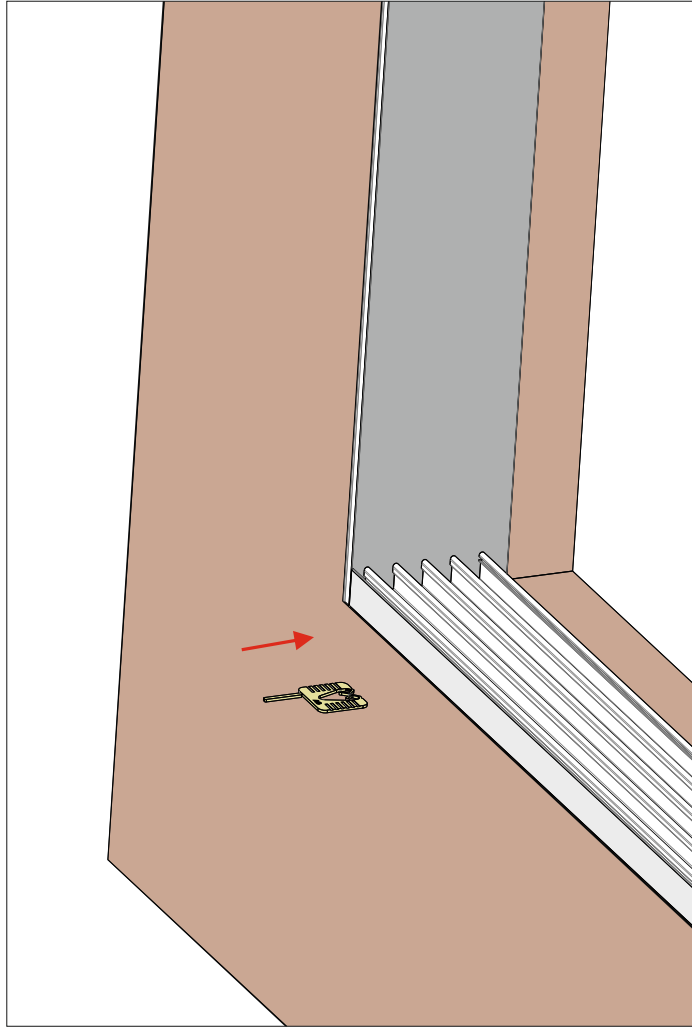
18



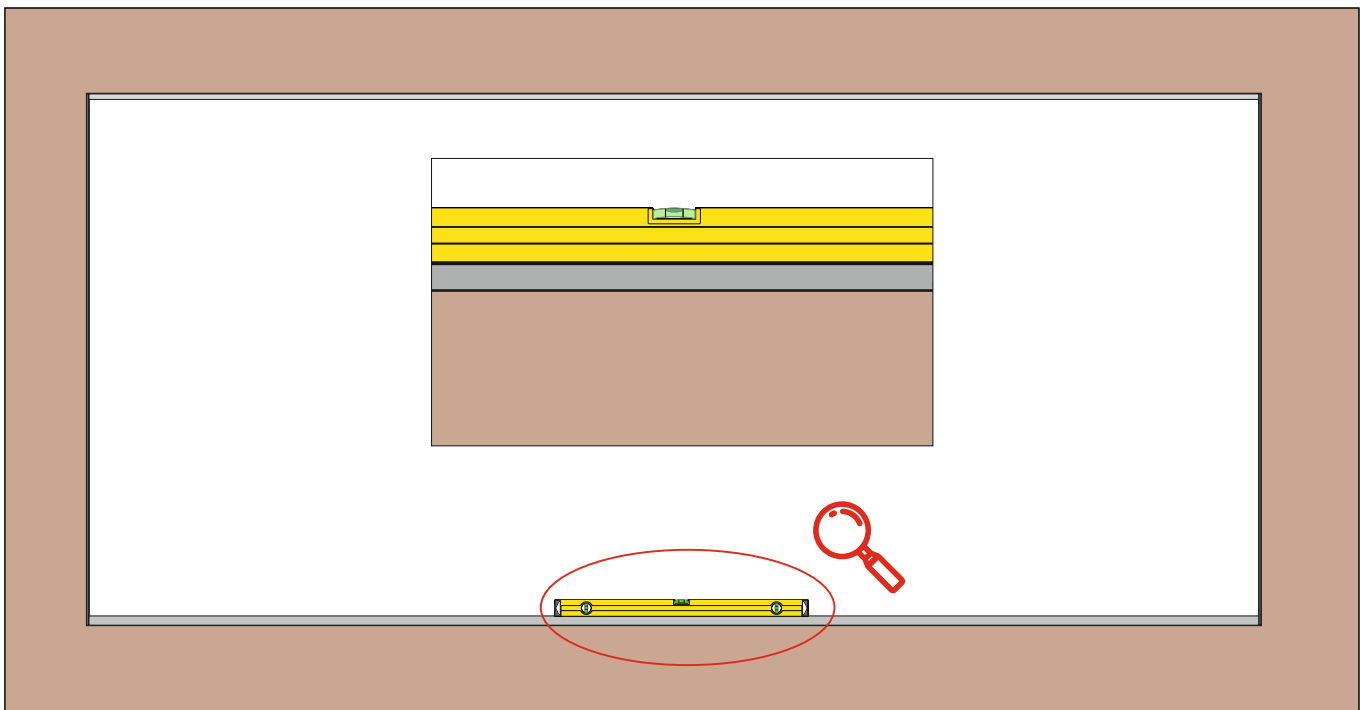
19



20

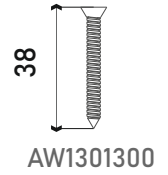


21

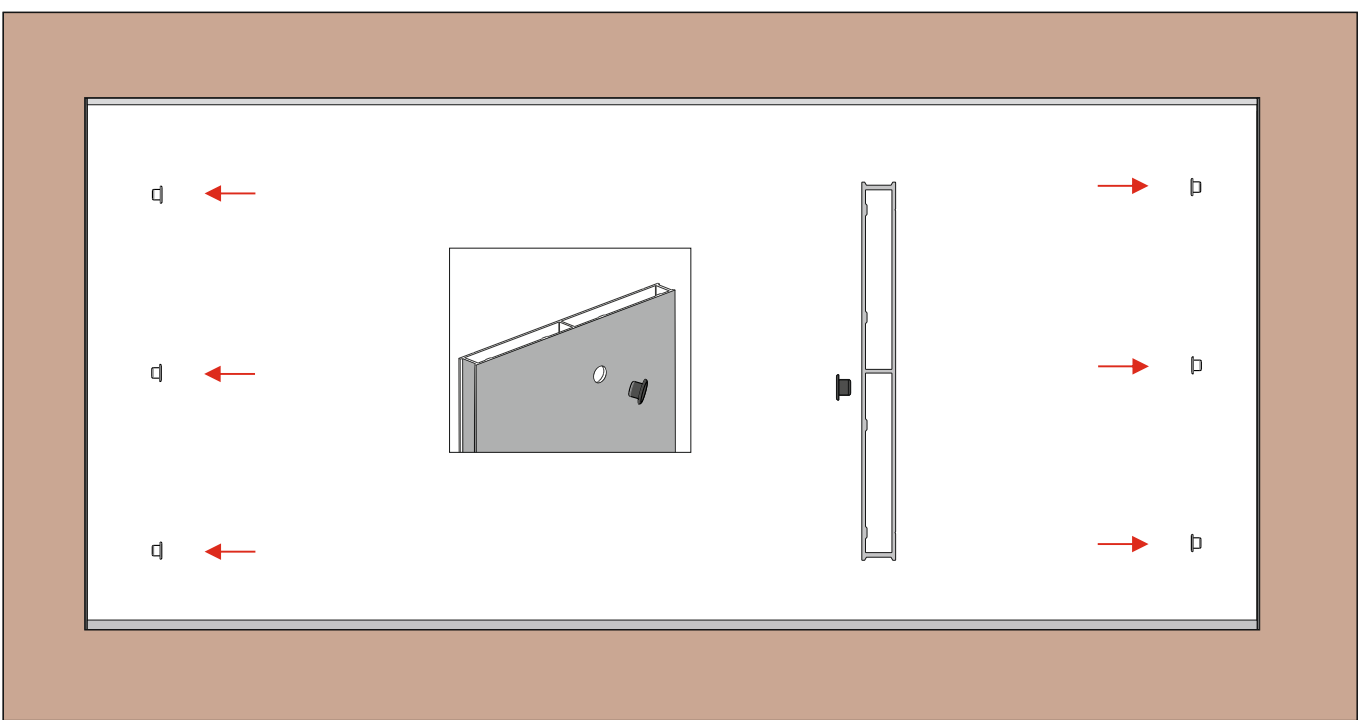
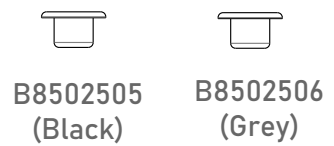


22

Remember from Pg. 54!

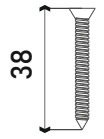


23

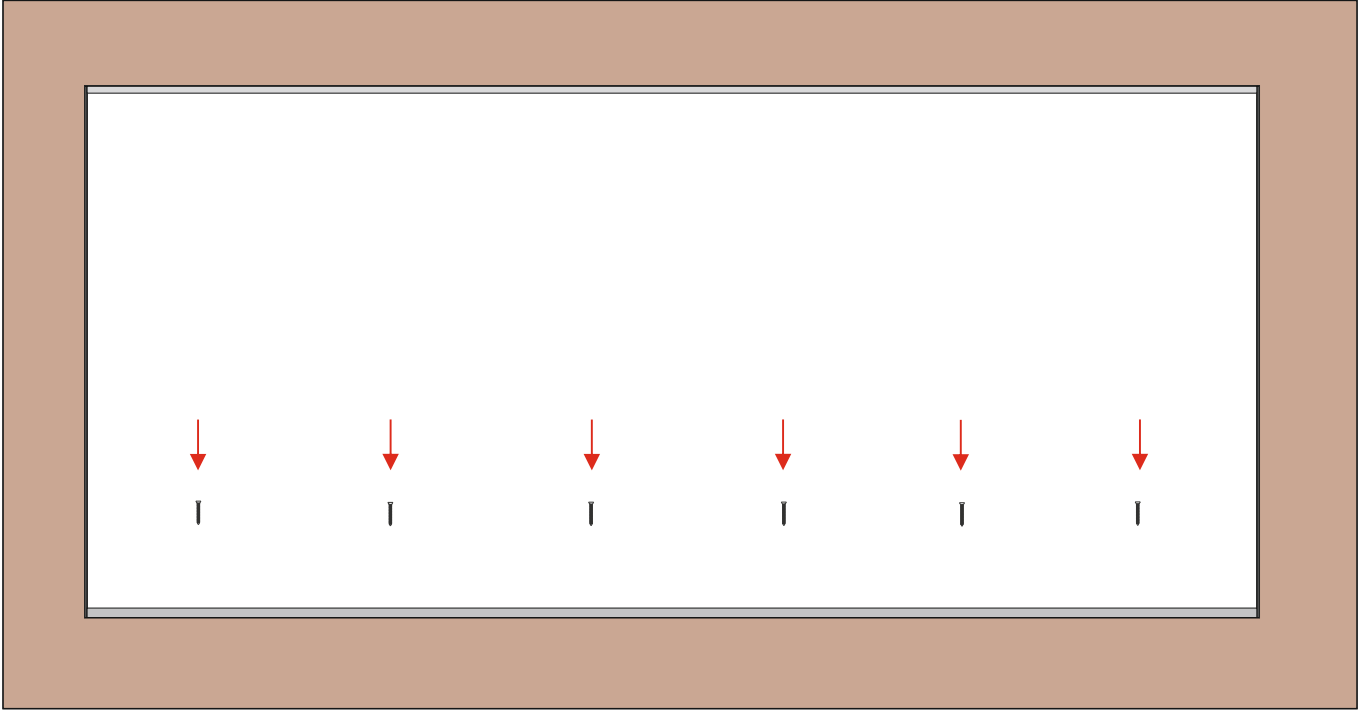


24

Remember from Pg. 57&59!

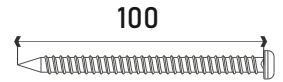


AW1301300

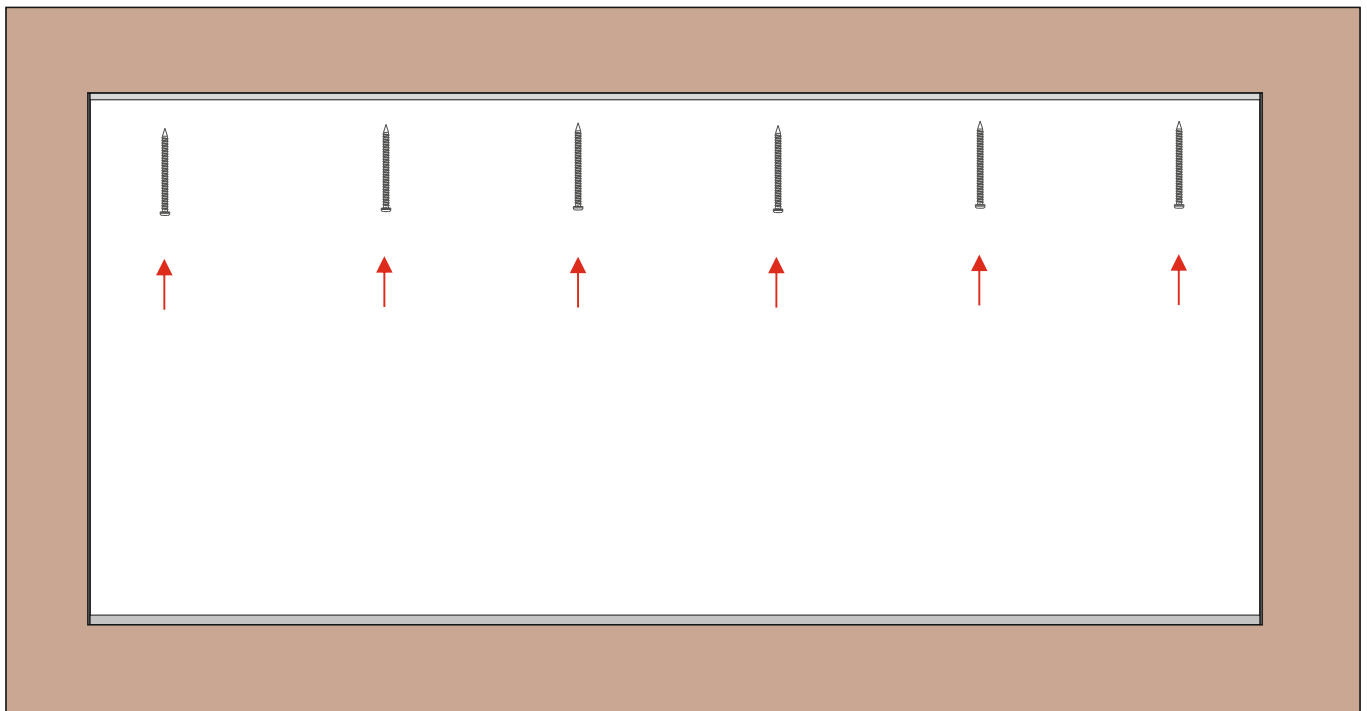


25

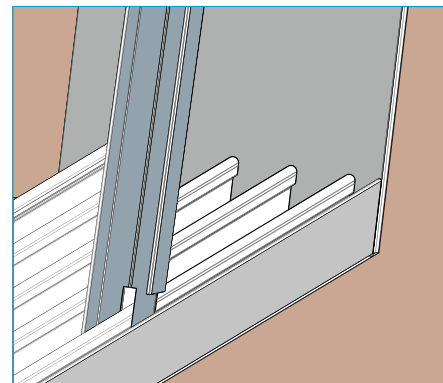
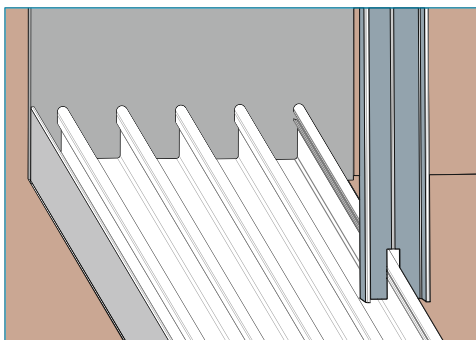
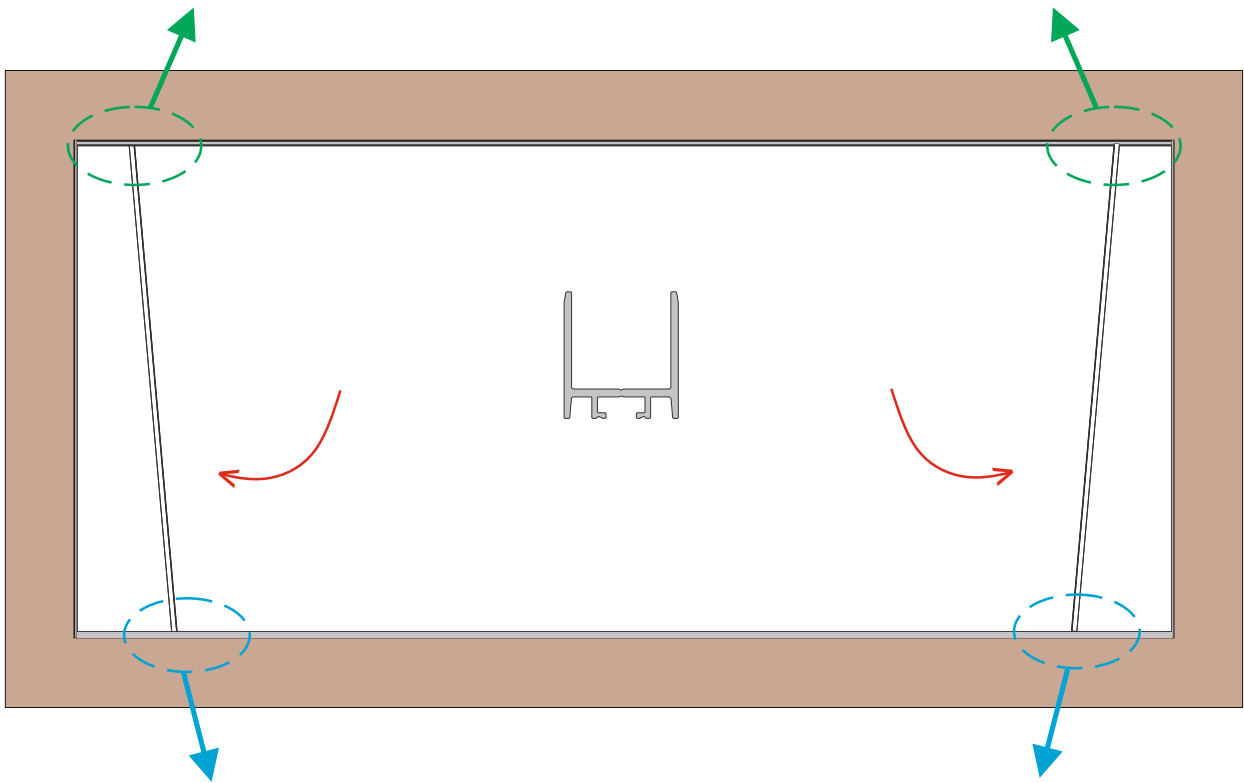
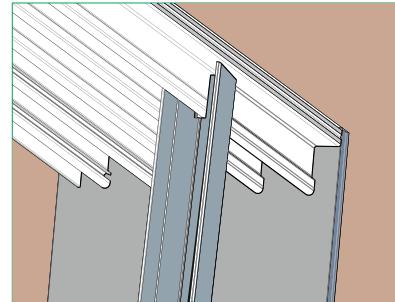
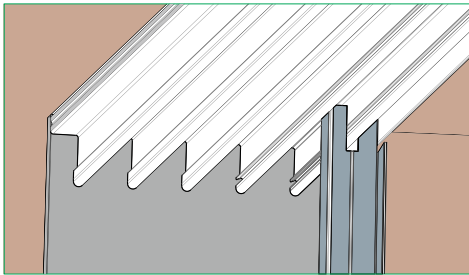
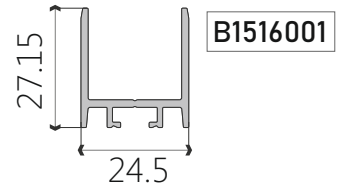
Remember from Pg. 57!



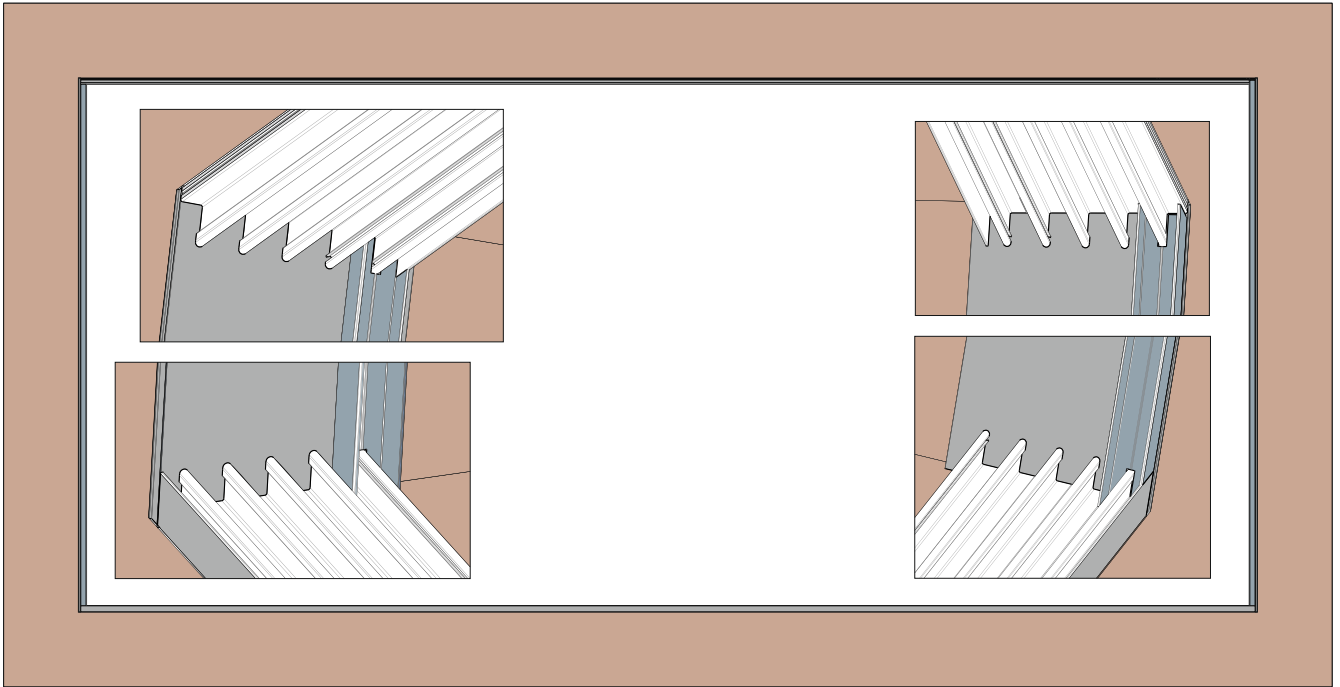
B8502706



26

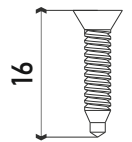


27

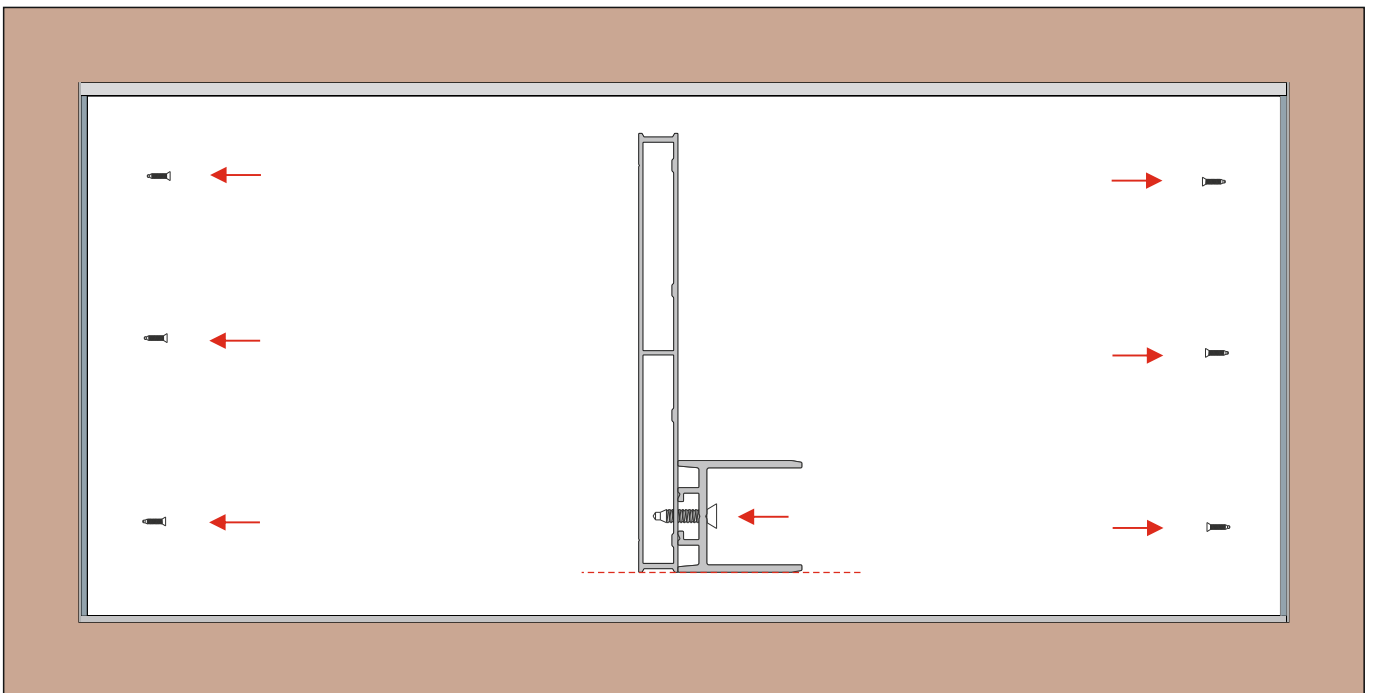


28

Remember from Pg. 51!



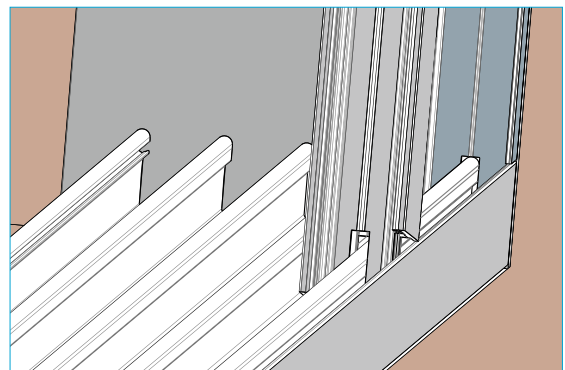
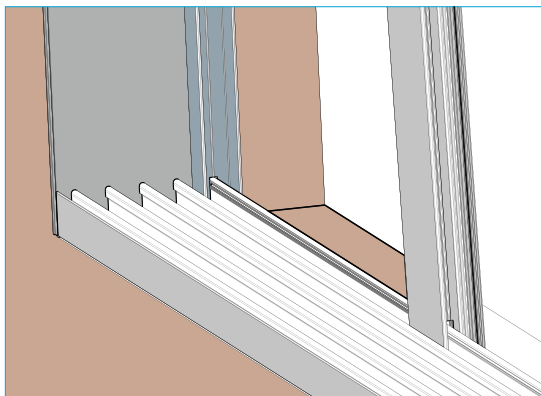
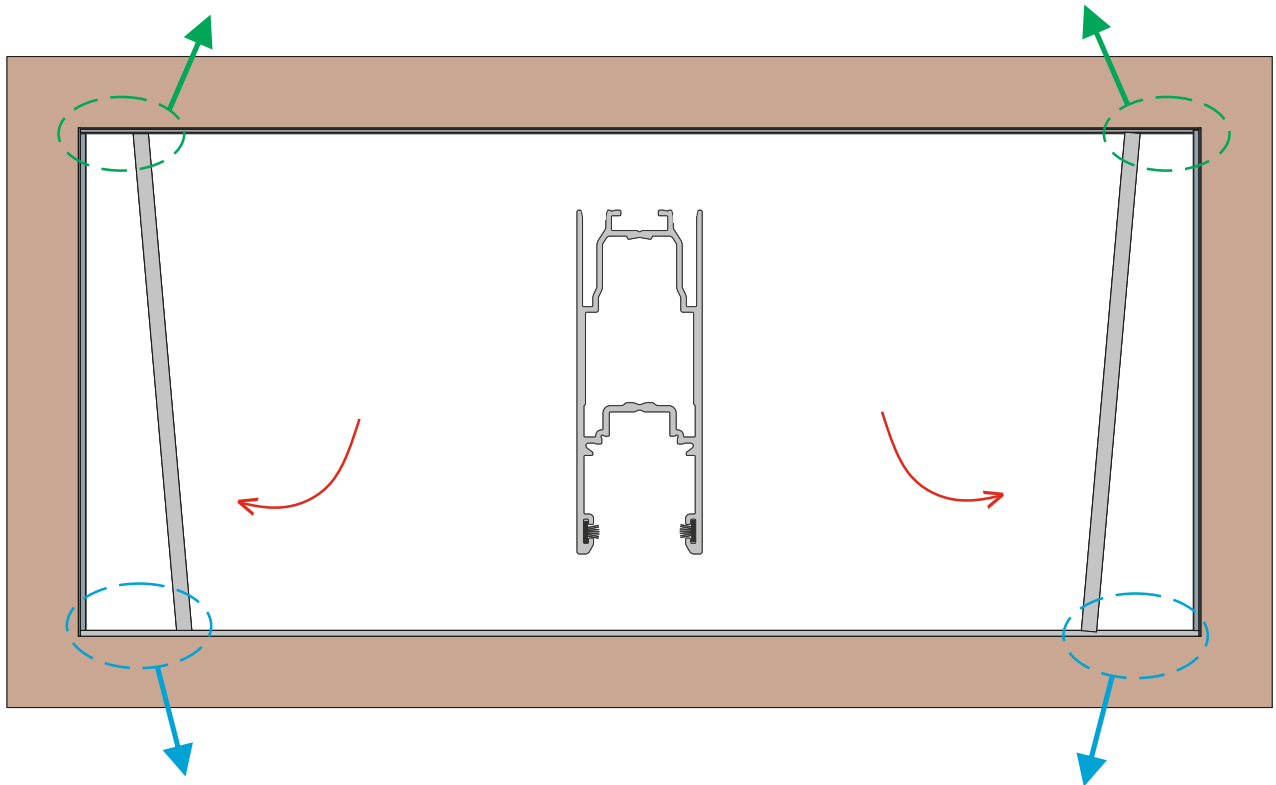
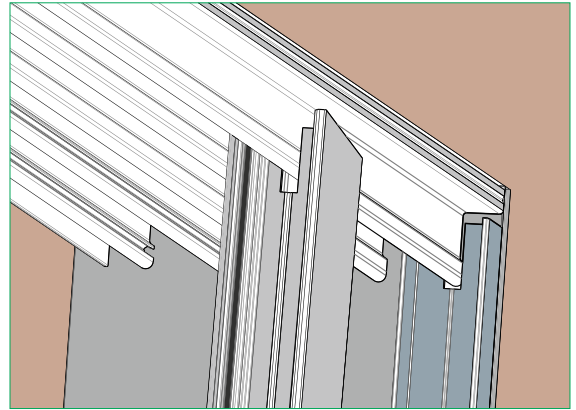
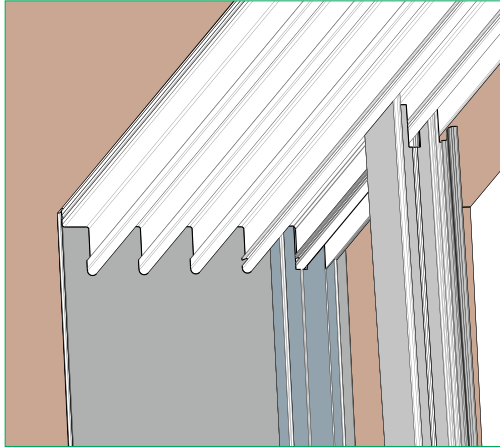
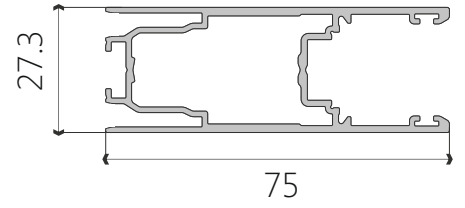
B8503304



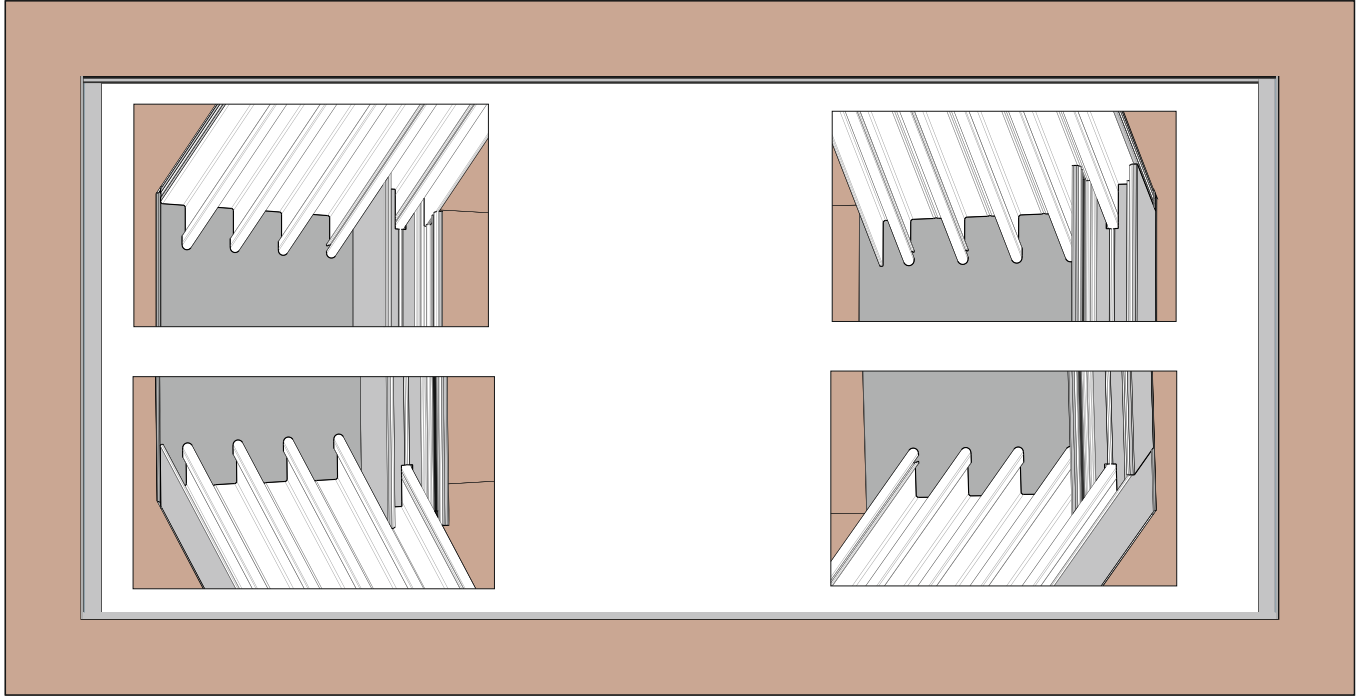
29

See page 62 for lock types and manufacturing process of them!

B1517301

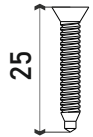


30

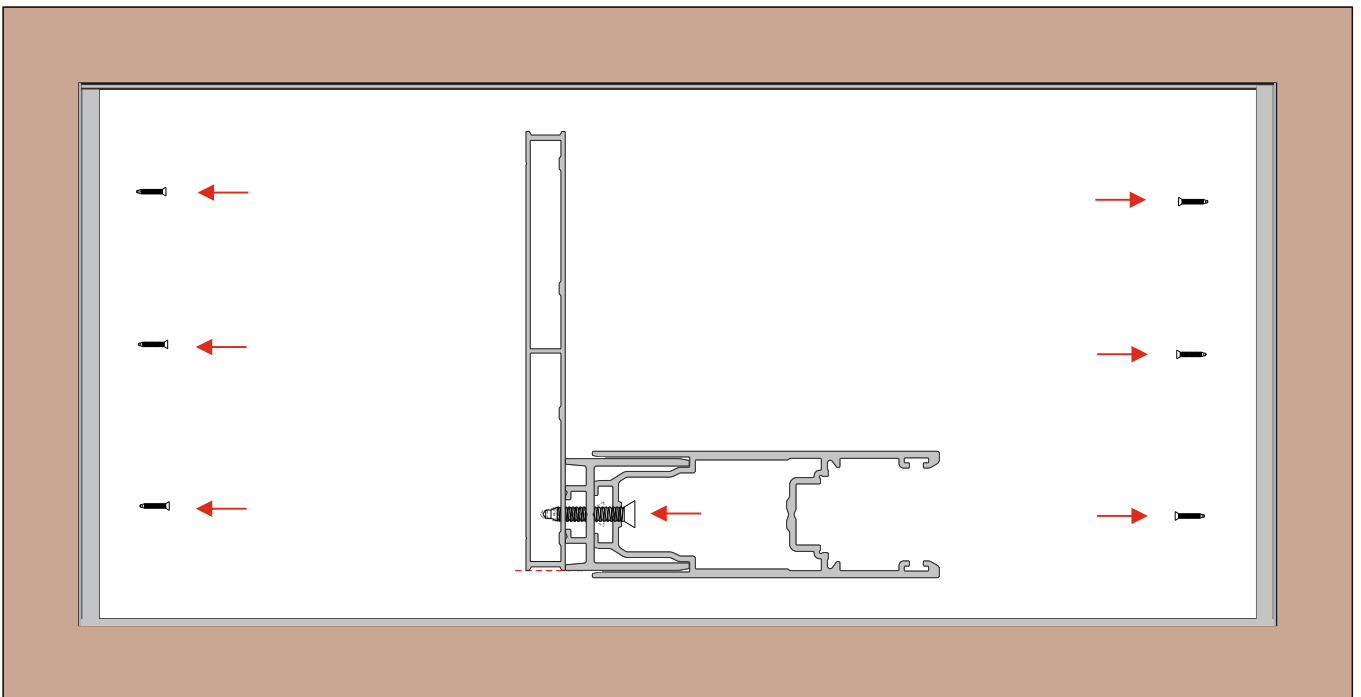


31

Remember from Pg. 52!



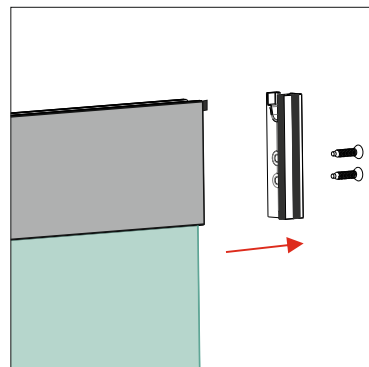
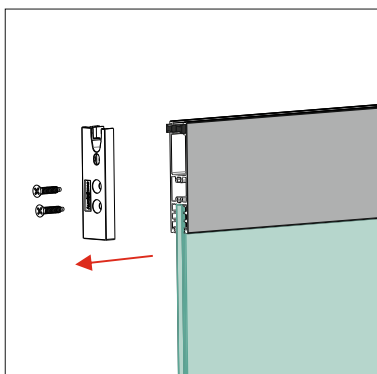
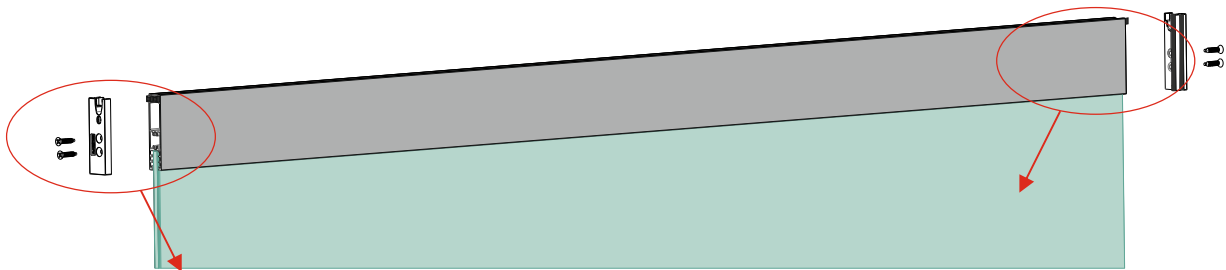
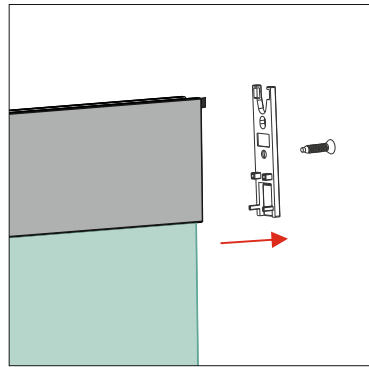
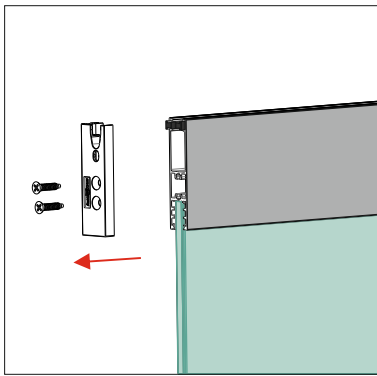
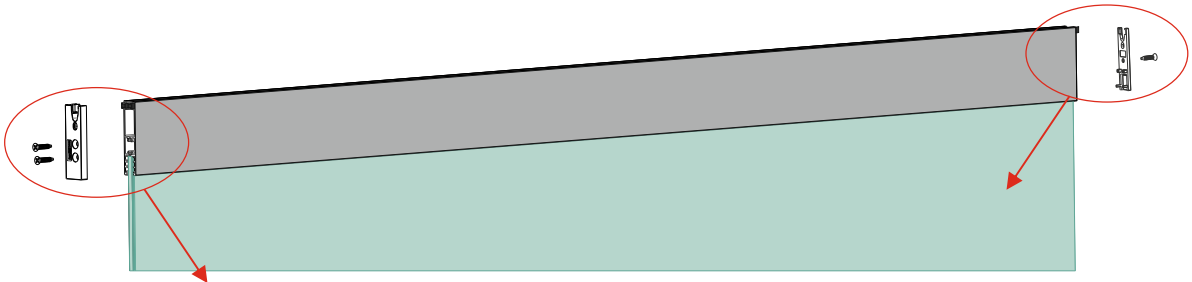
B8503308

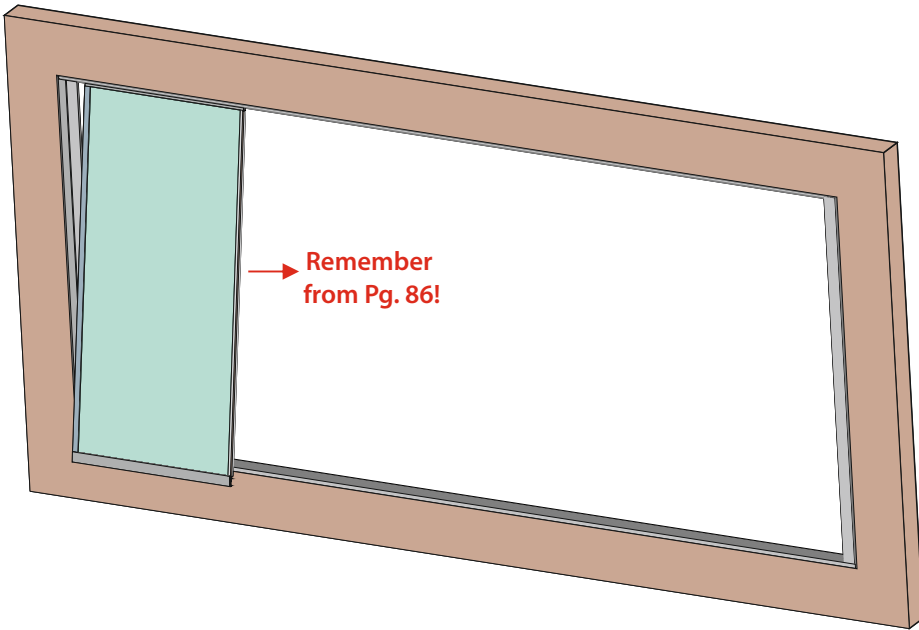


32

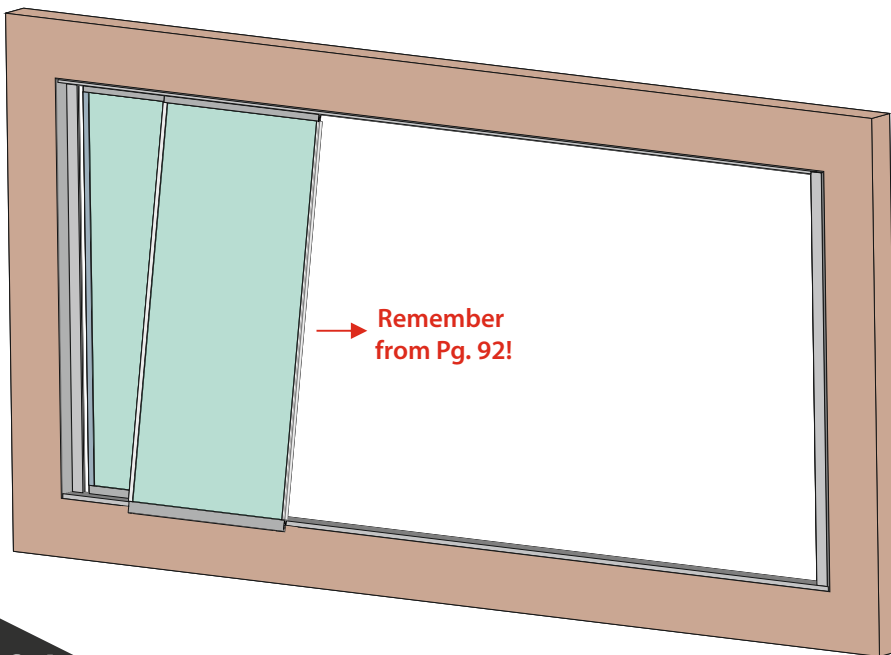
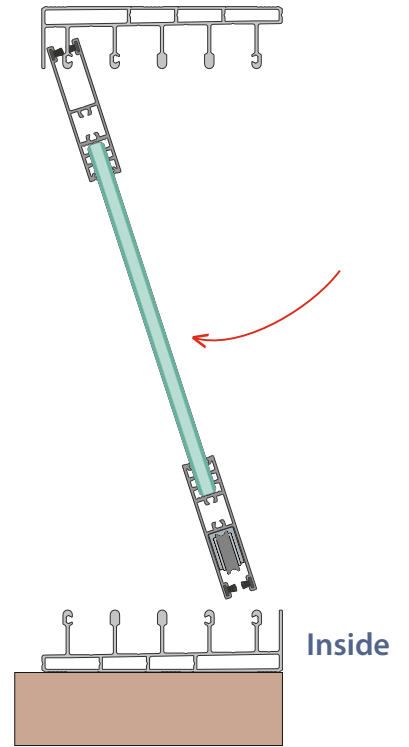


Take out the end caps in order to place the sliding panels easily!

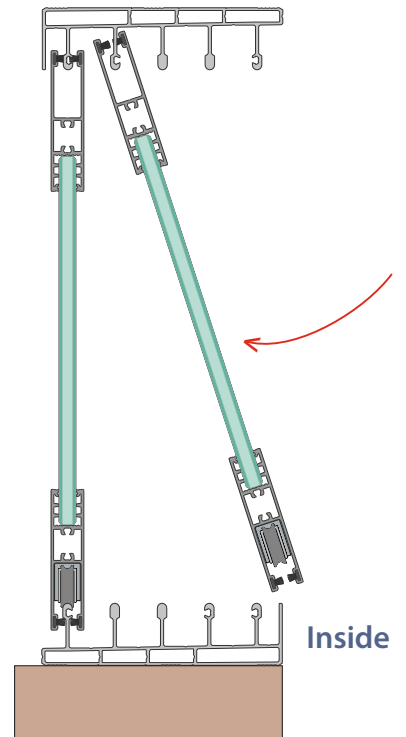


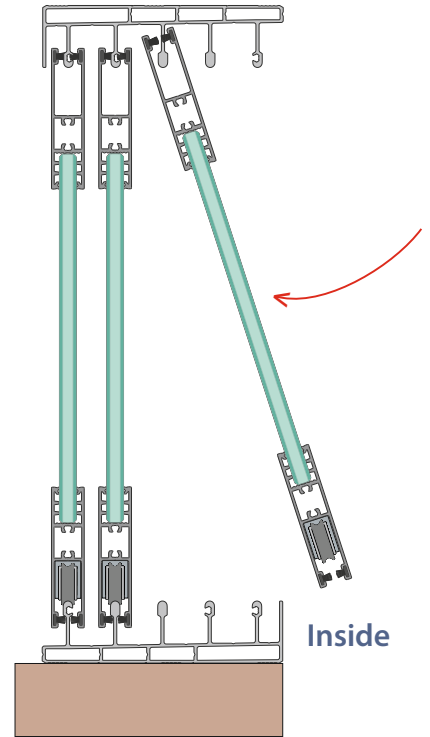
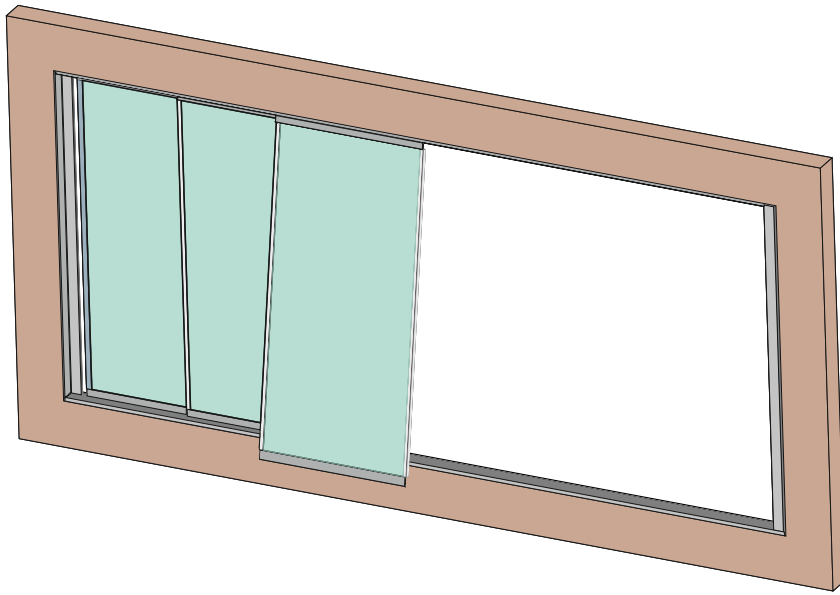


33

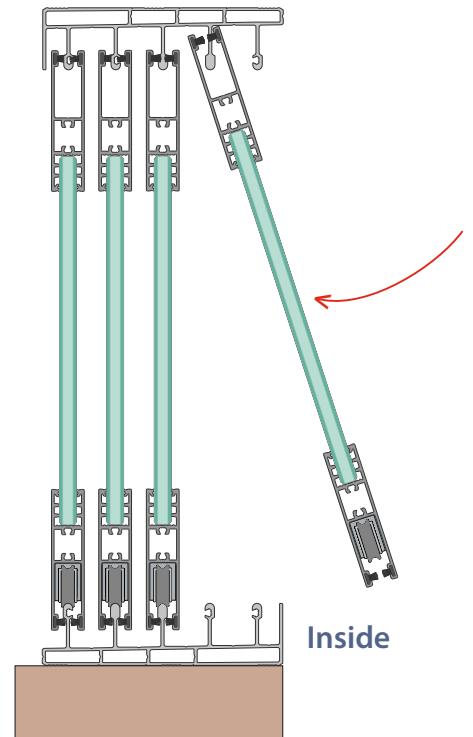
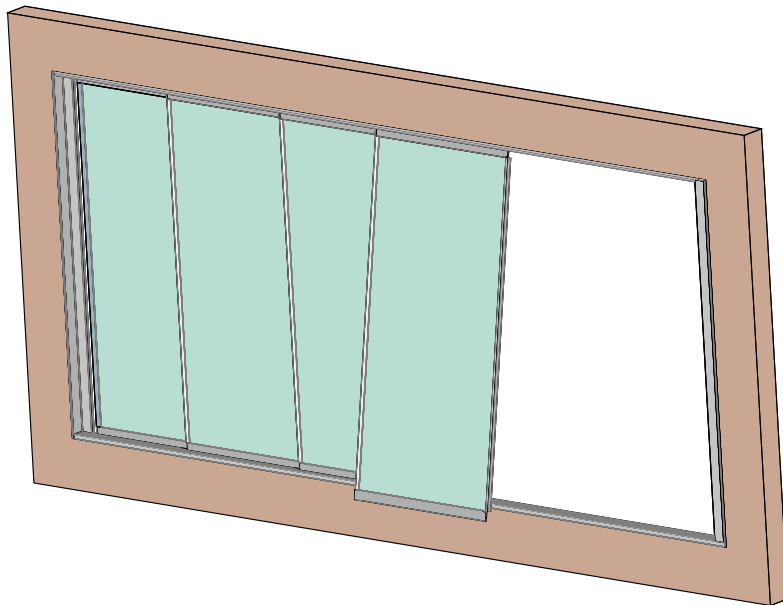


34

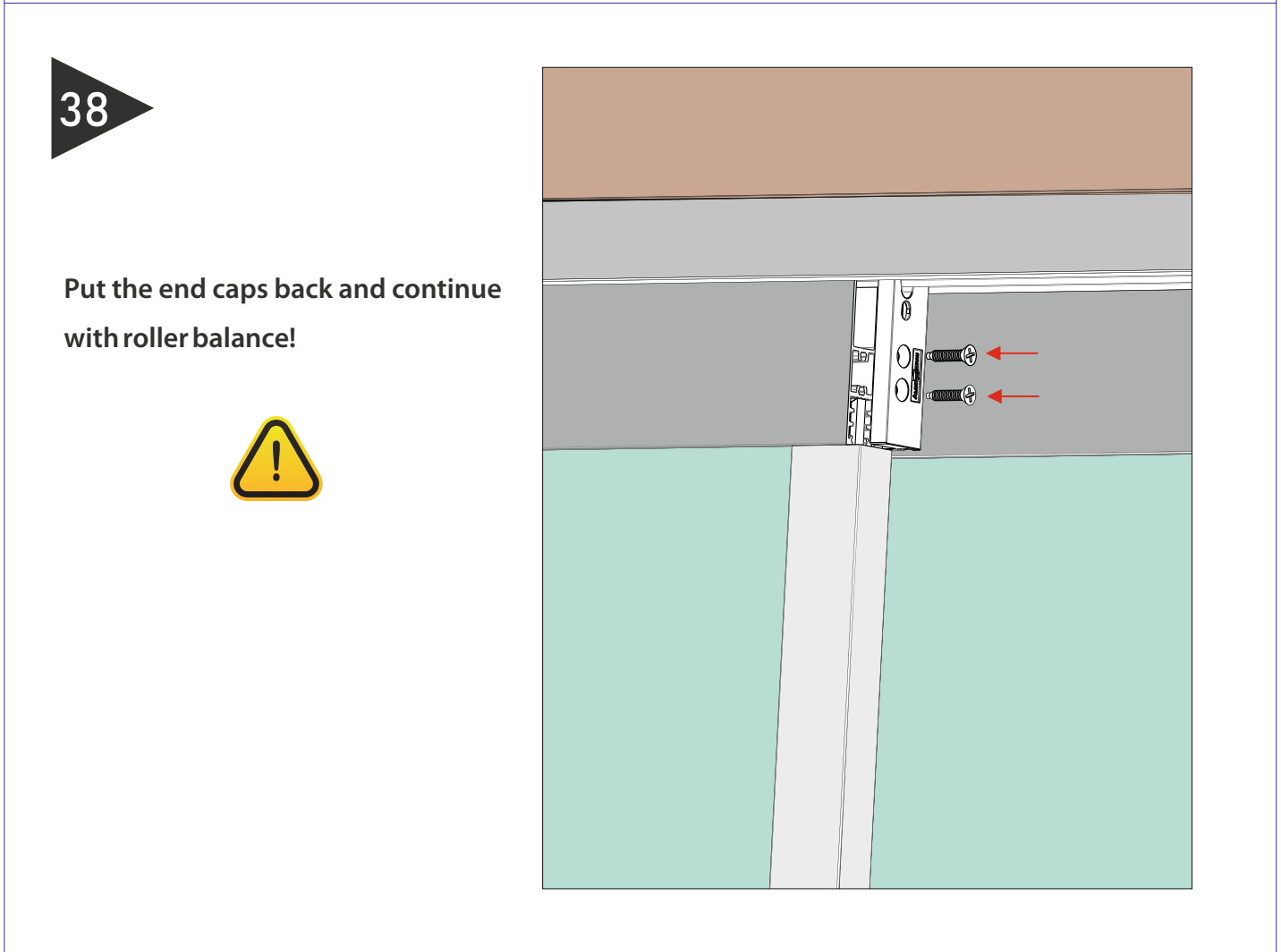
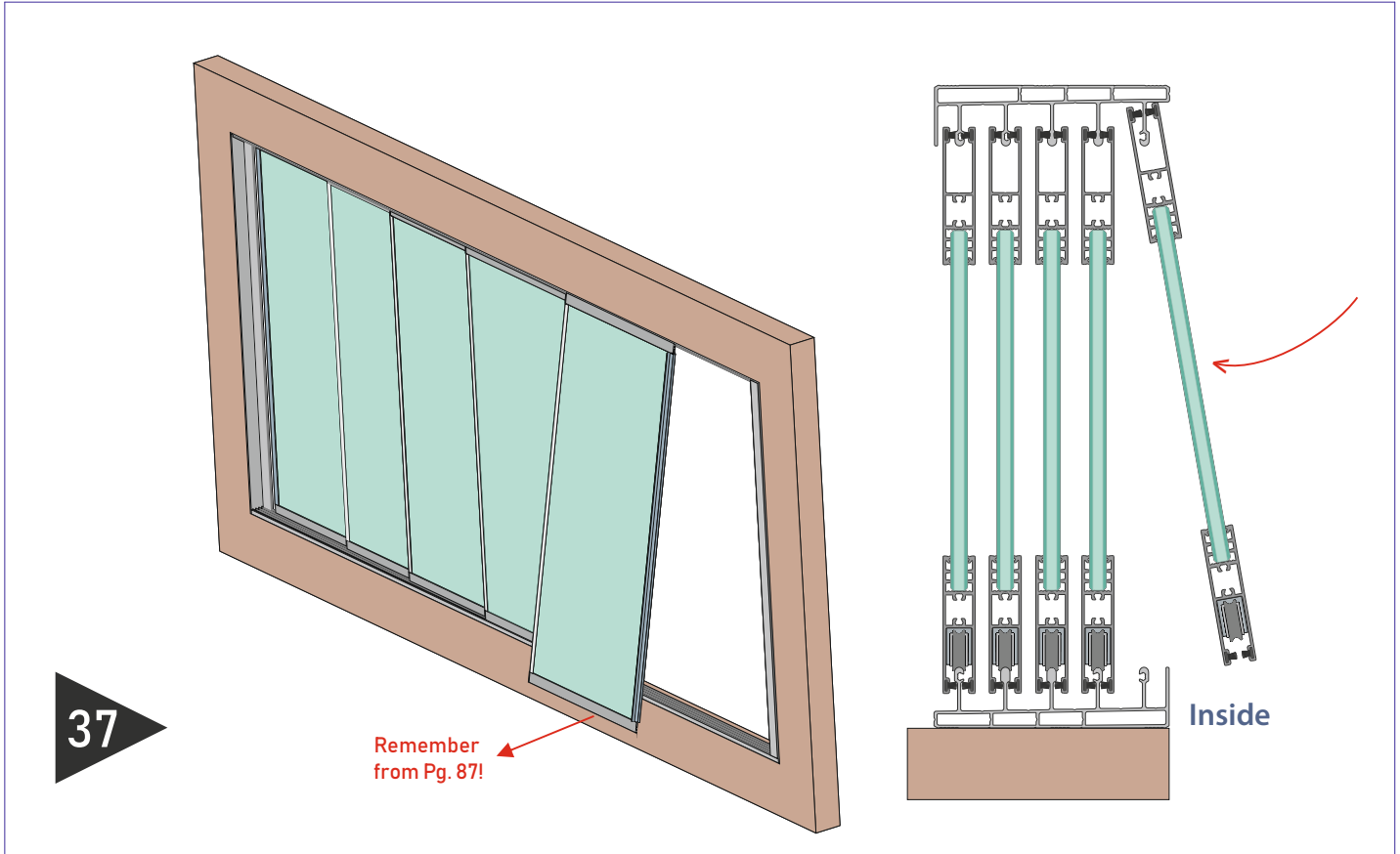




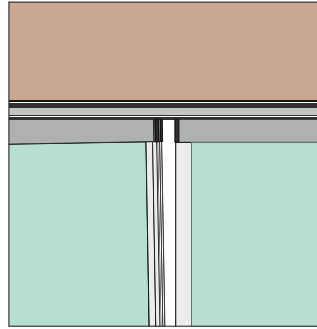
35



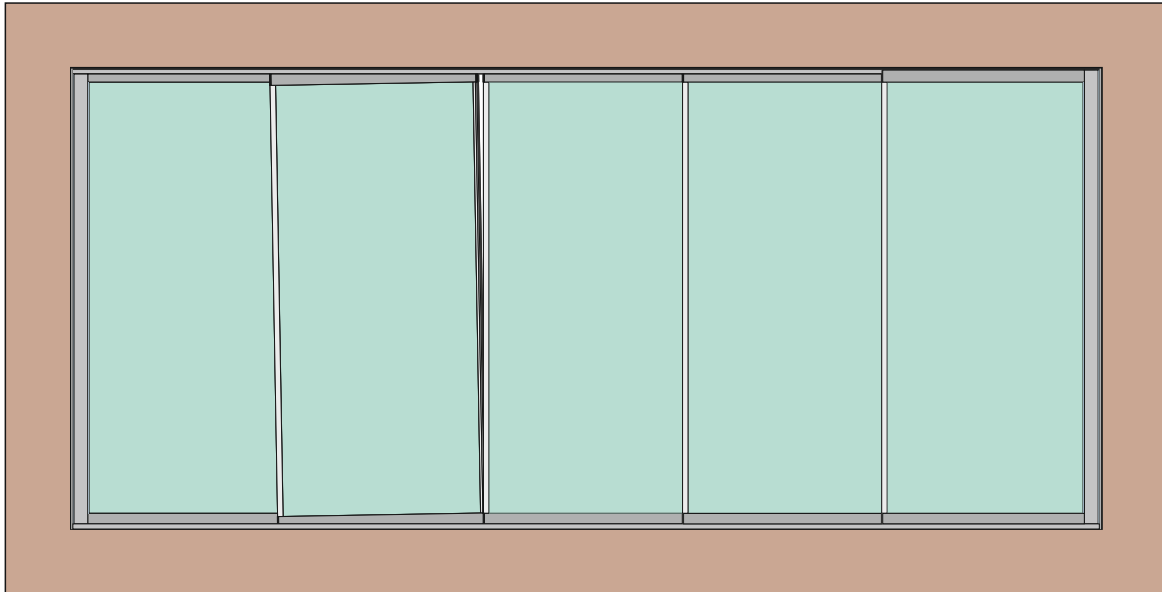
36



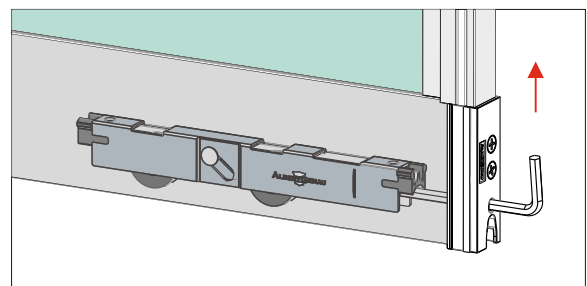
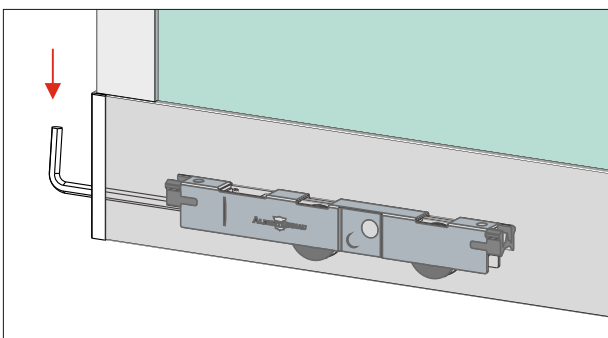
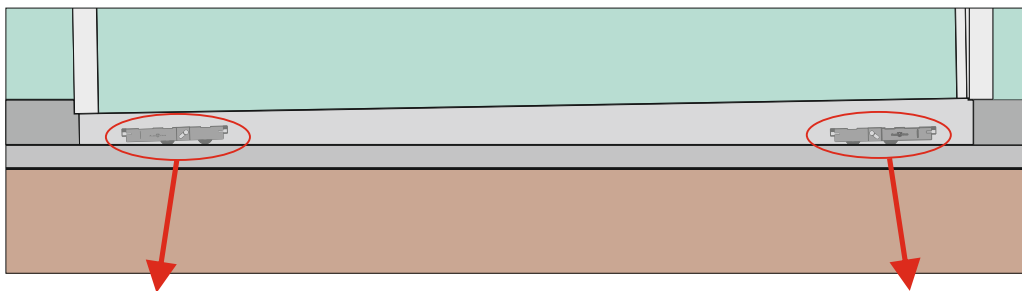
39



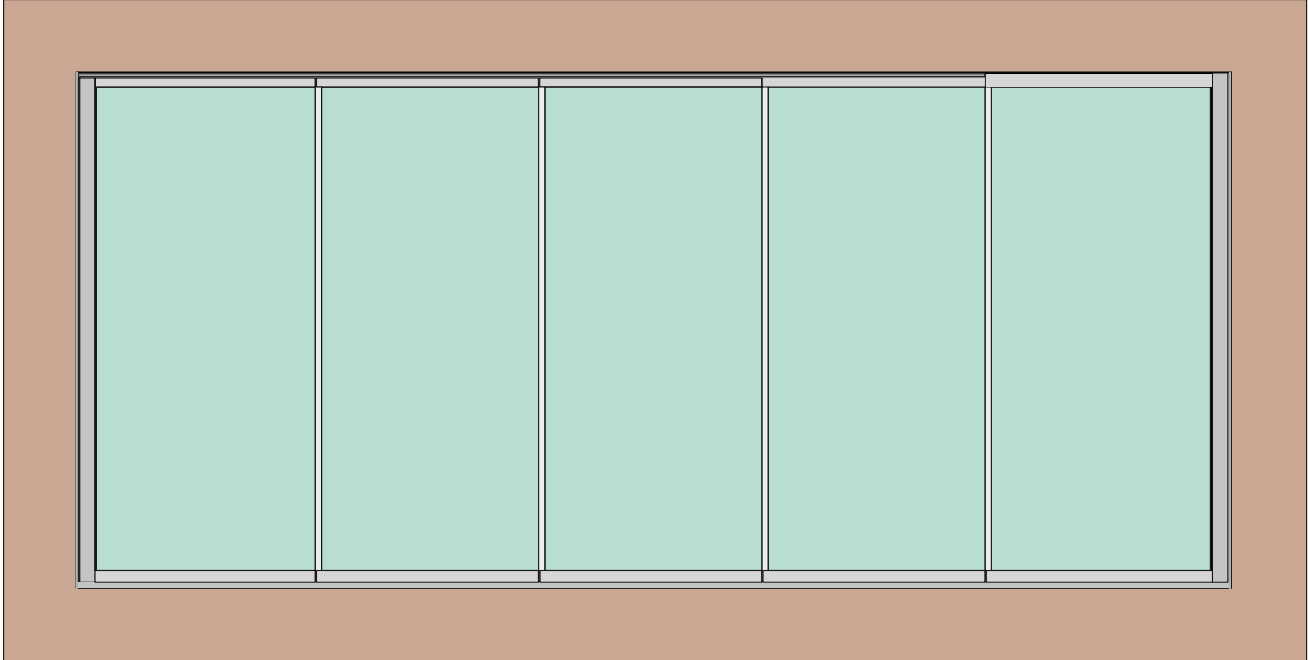
Check for glass alignment!



40



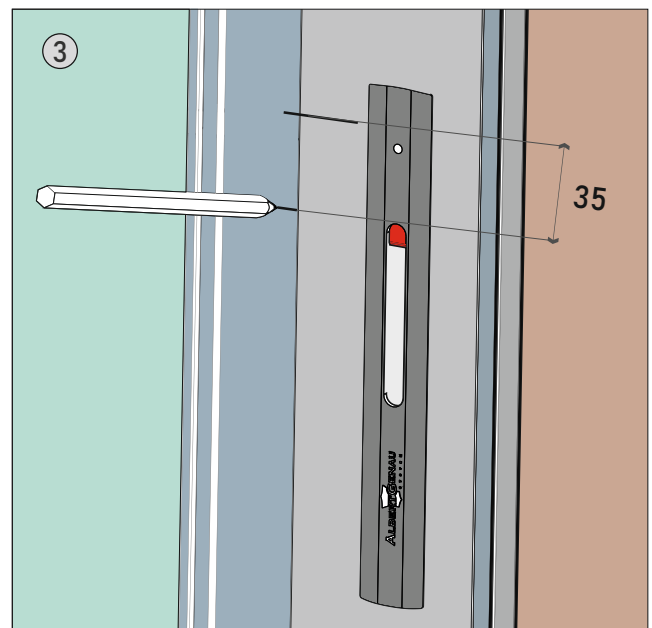
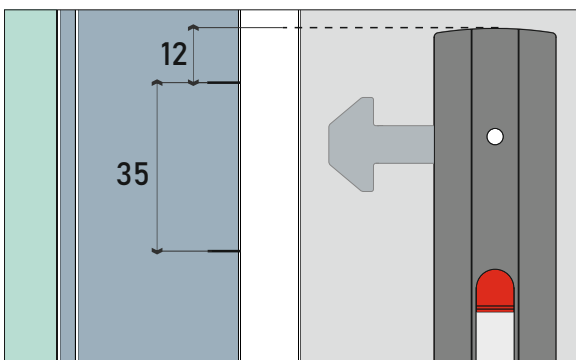
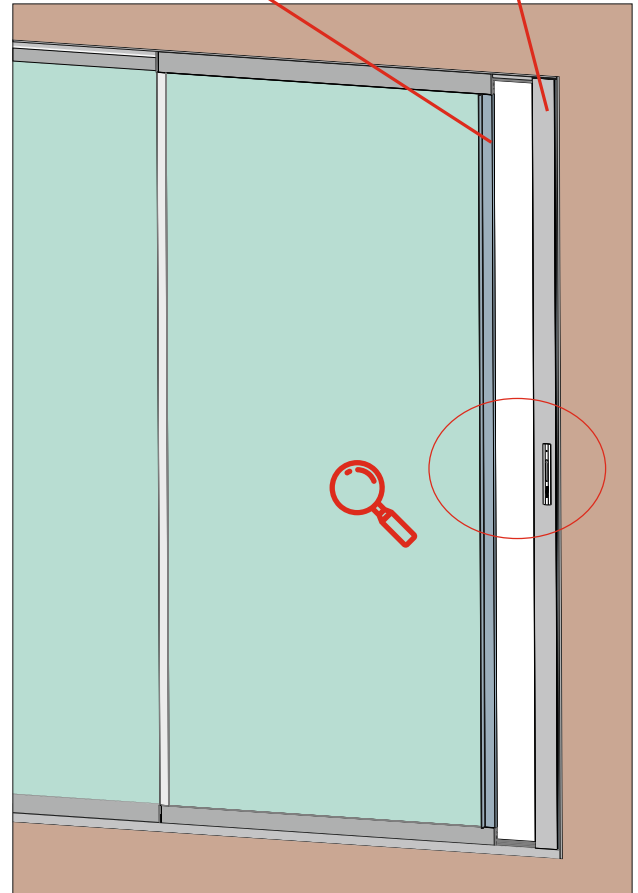
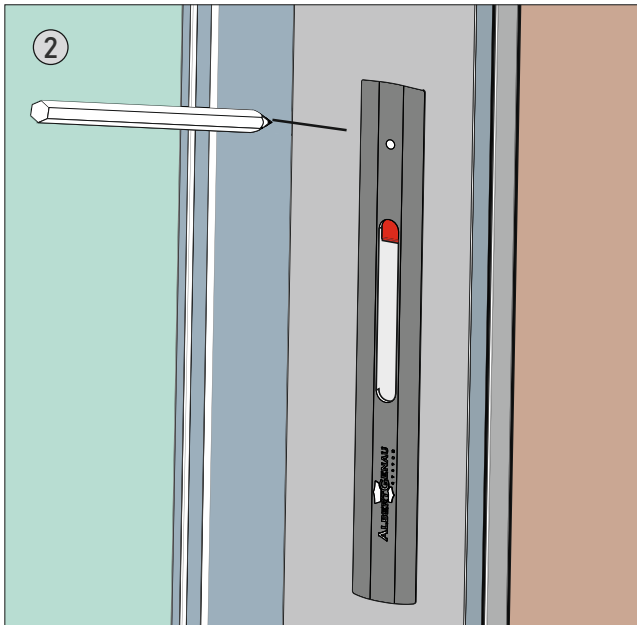
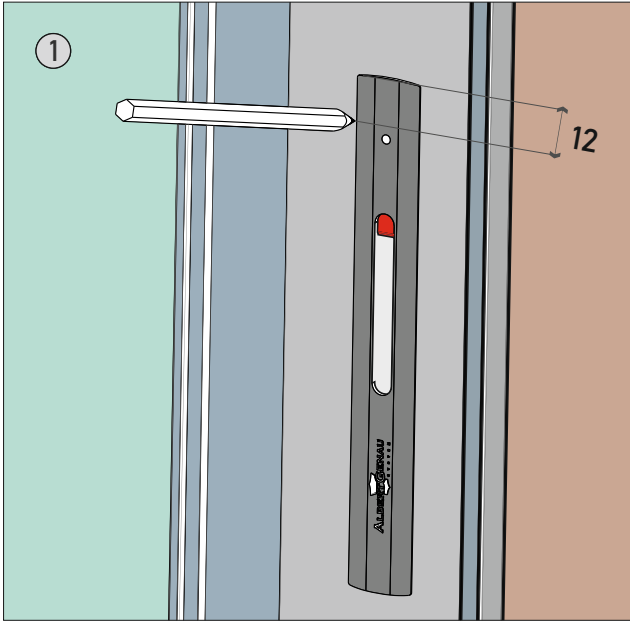
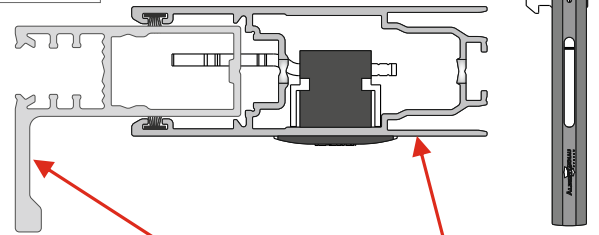
41

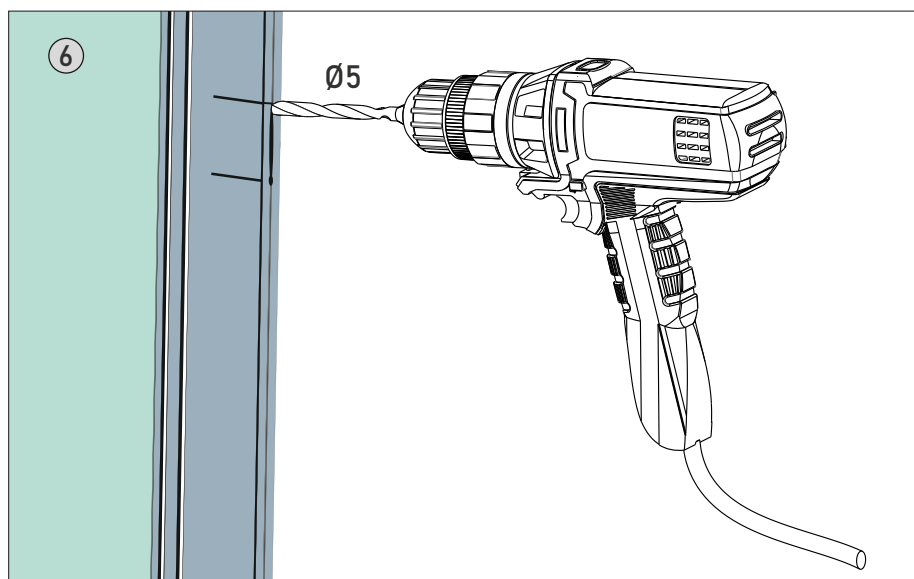
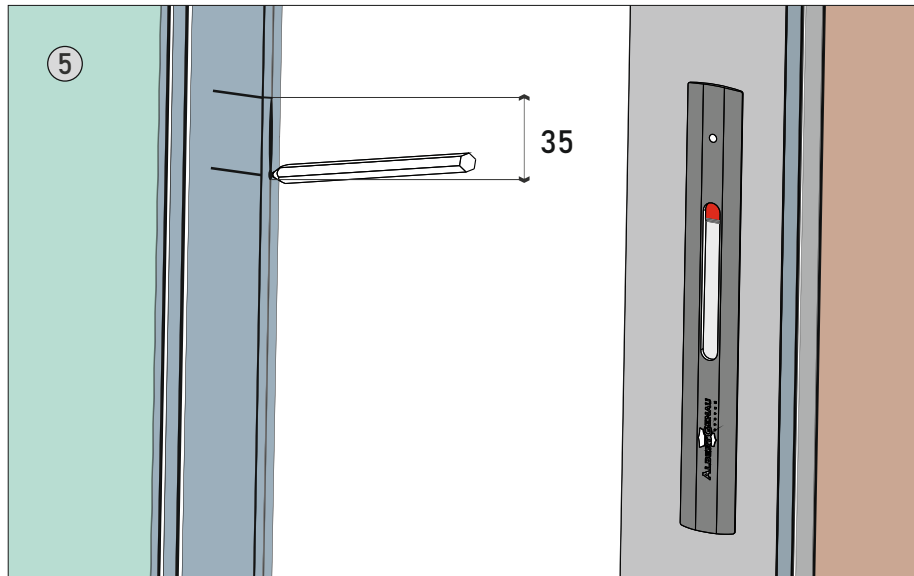
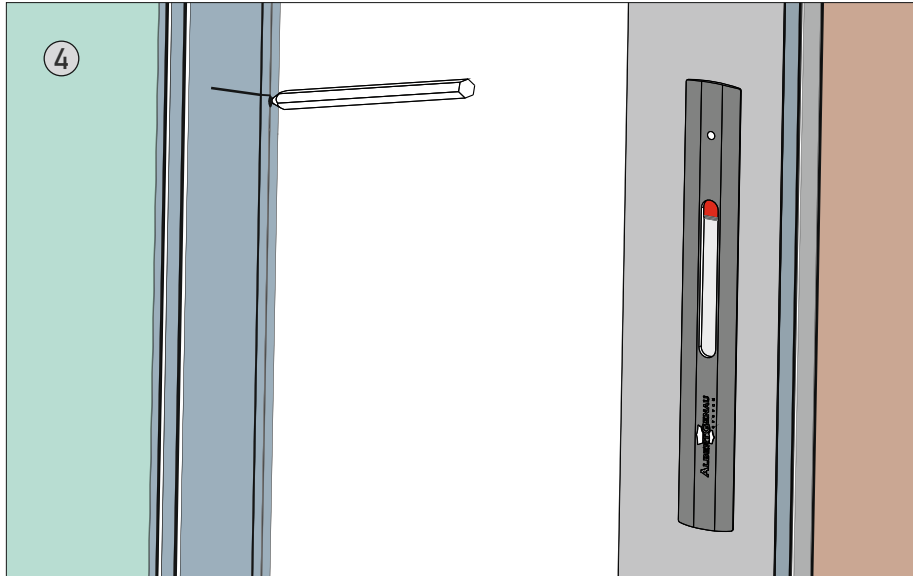


42

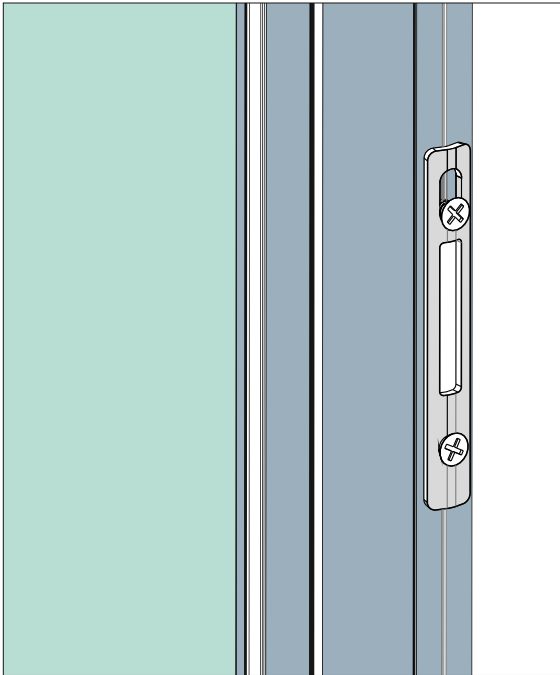
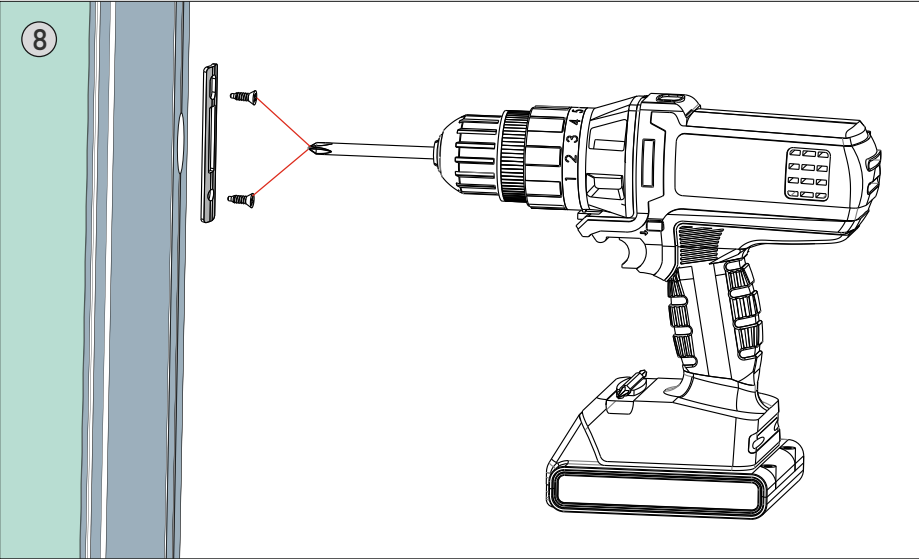
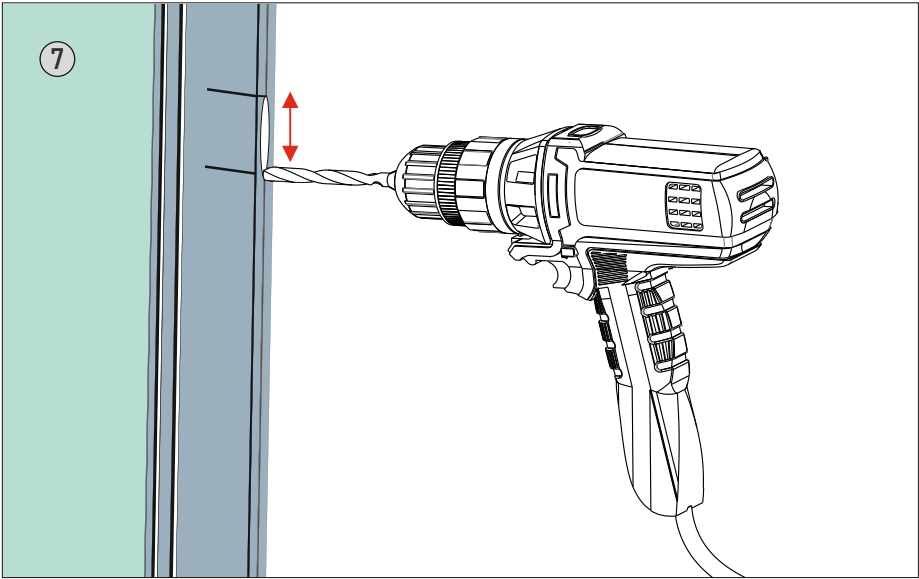
Remember from Pg. 62!

B05493





Slider Next Instalation-All Isolation System

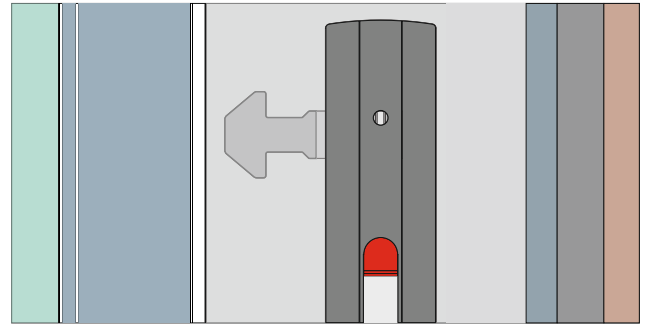
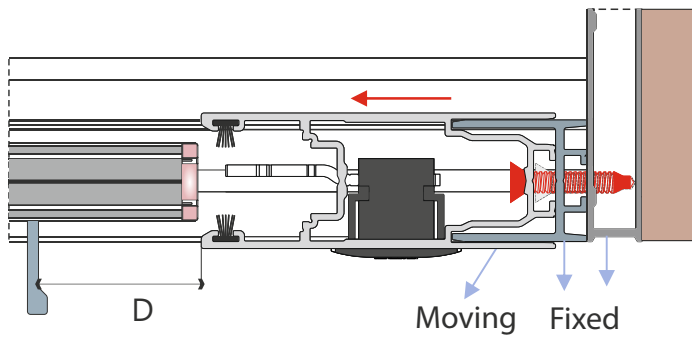


43



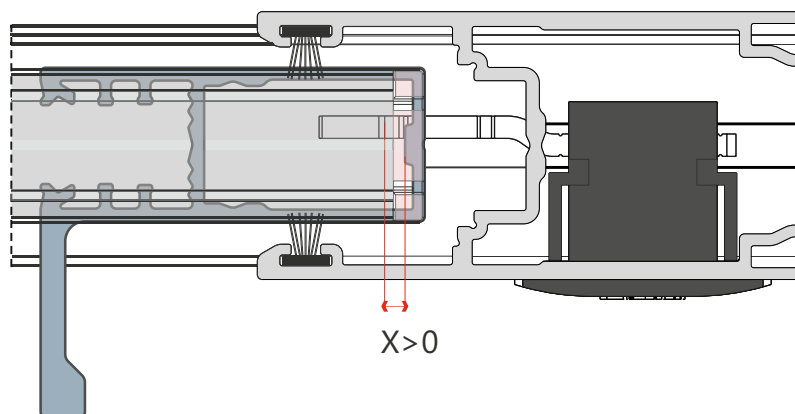
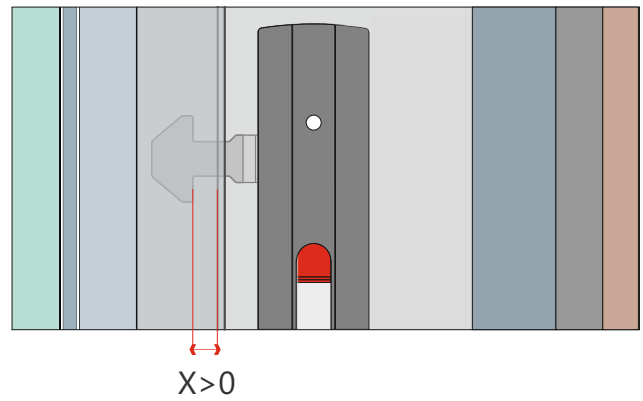
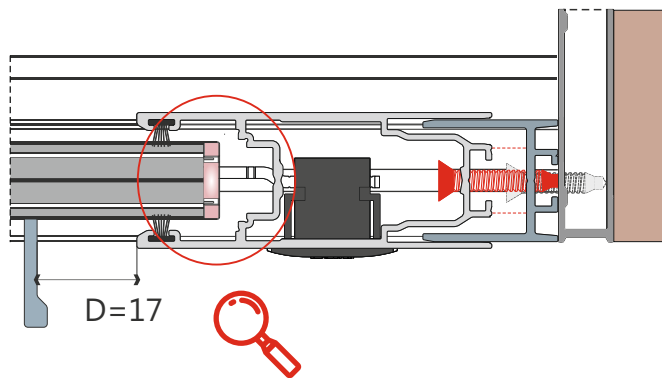
Check for lock strike and glass adjustments!

1



2

'D' distance between the knob and the profile must be about **17mm!**

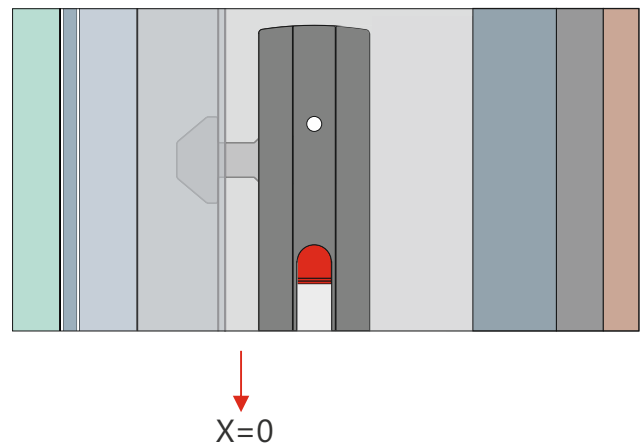
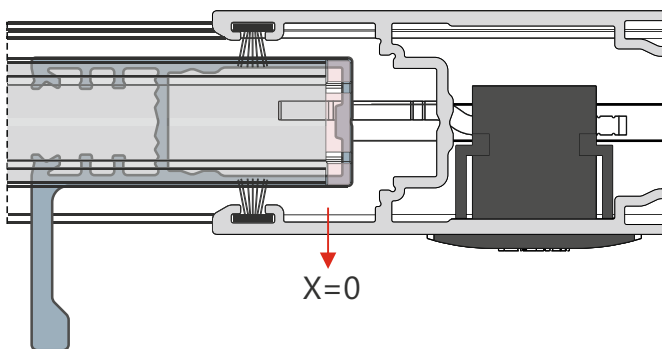
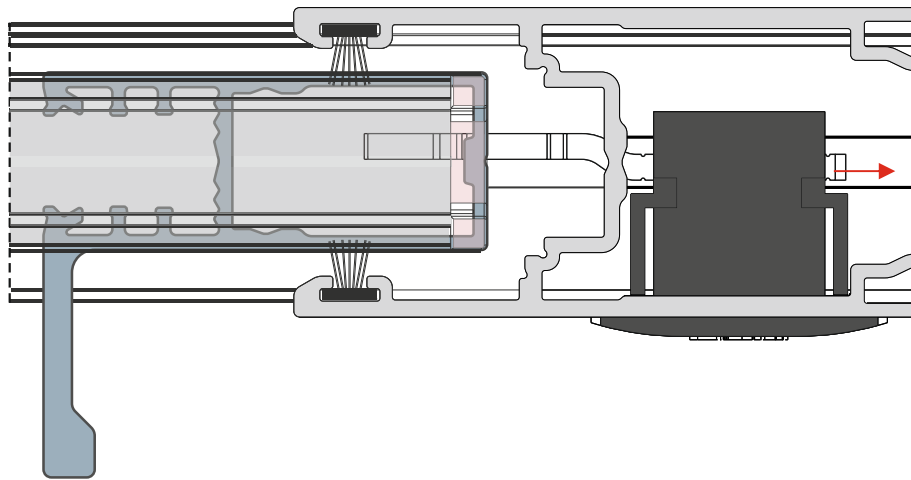
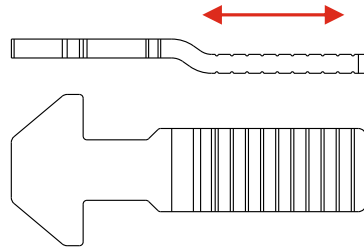


For a proper lock strike adjustment, 'X' must be **zero!**

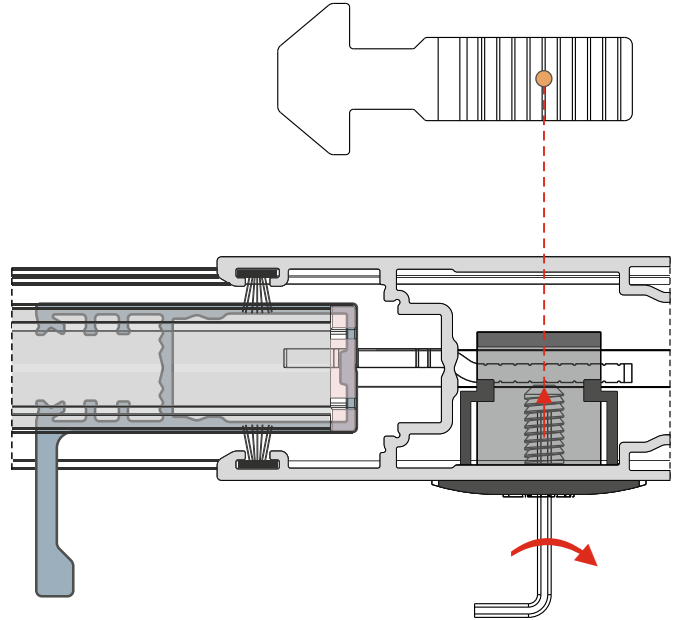
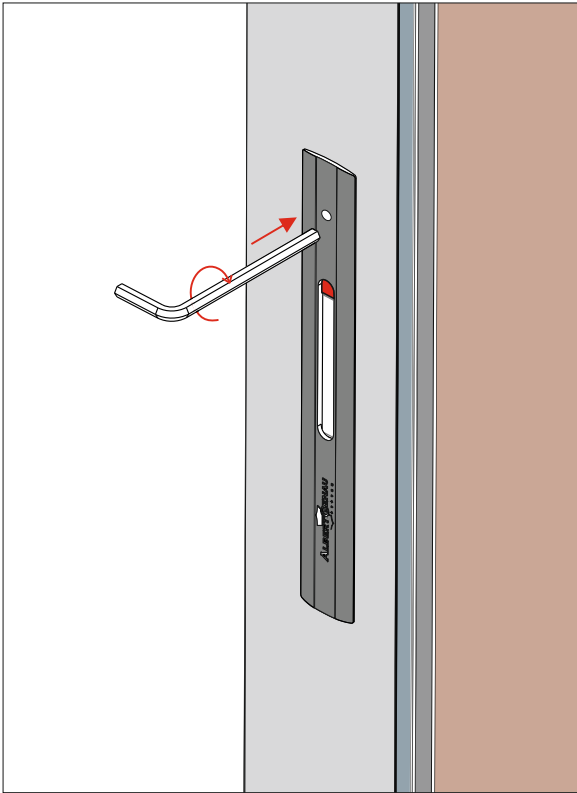
Hint: try to feel the gap by pulling and pushing the lockstriker profile!

3 Pushing the lock catching part backward to set the 'X' distance to **zero**!

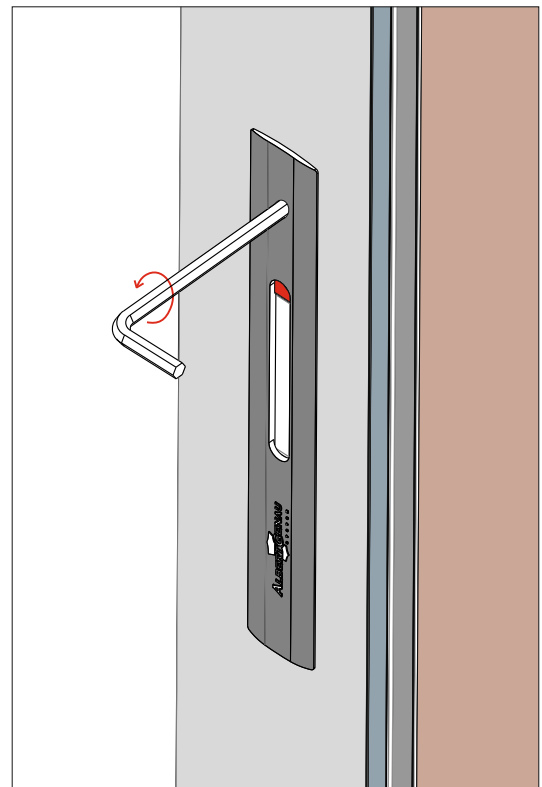
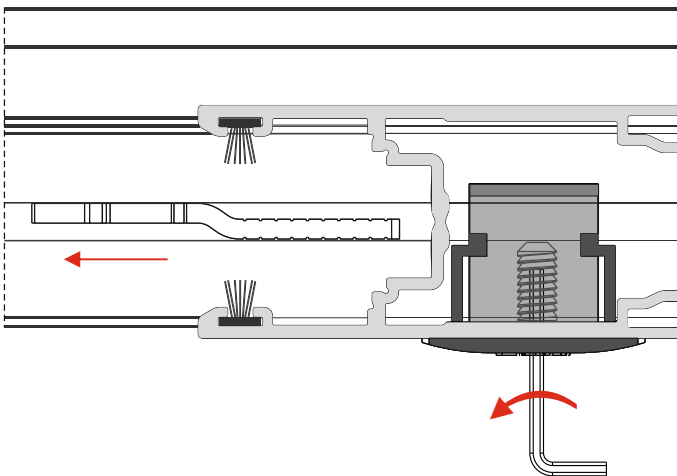
Note: the lock catch part can be moved forward and backward for necessary adjustments!



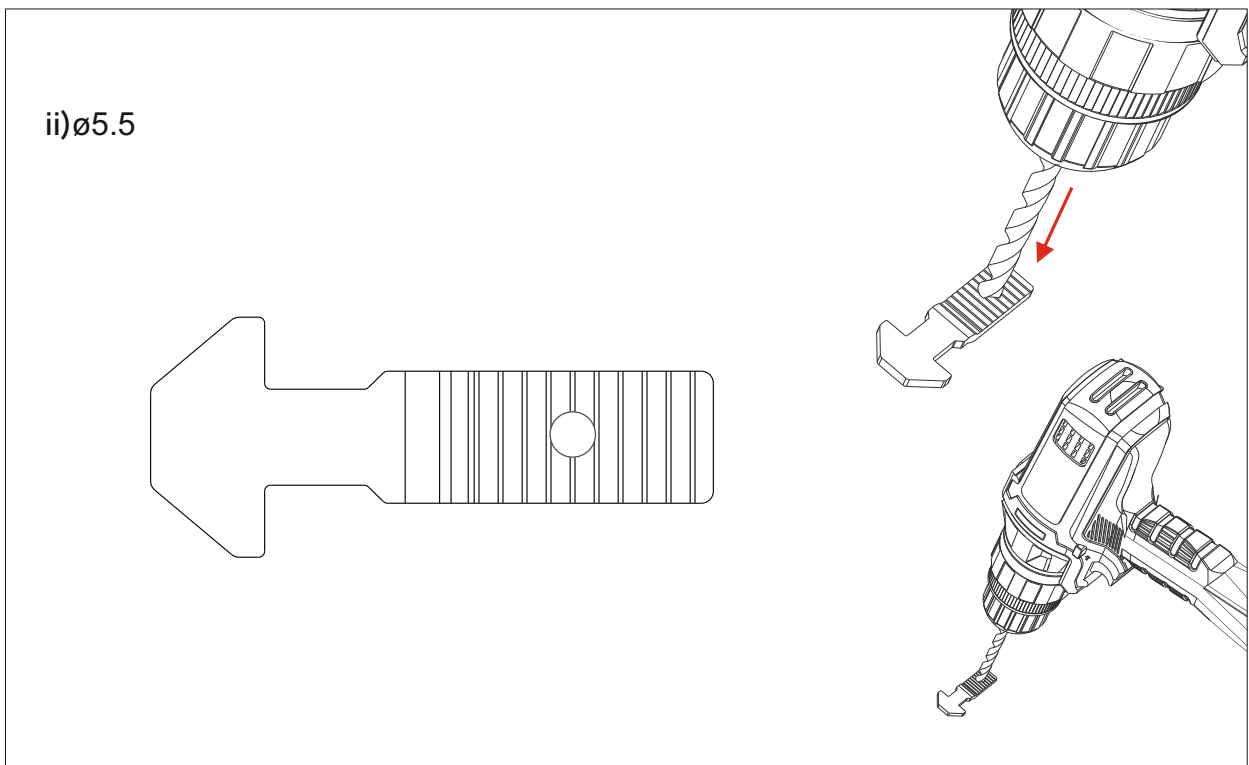
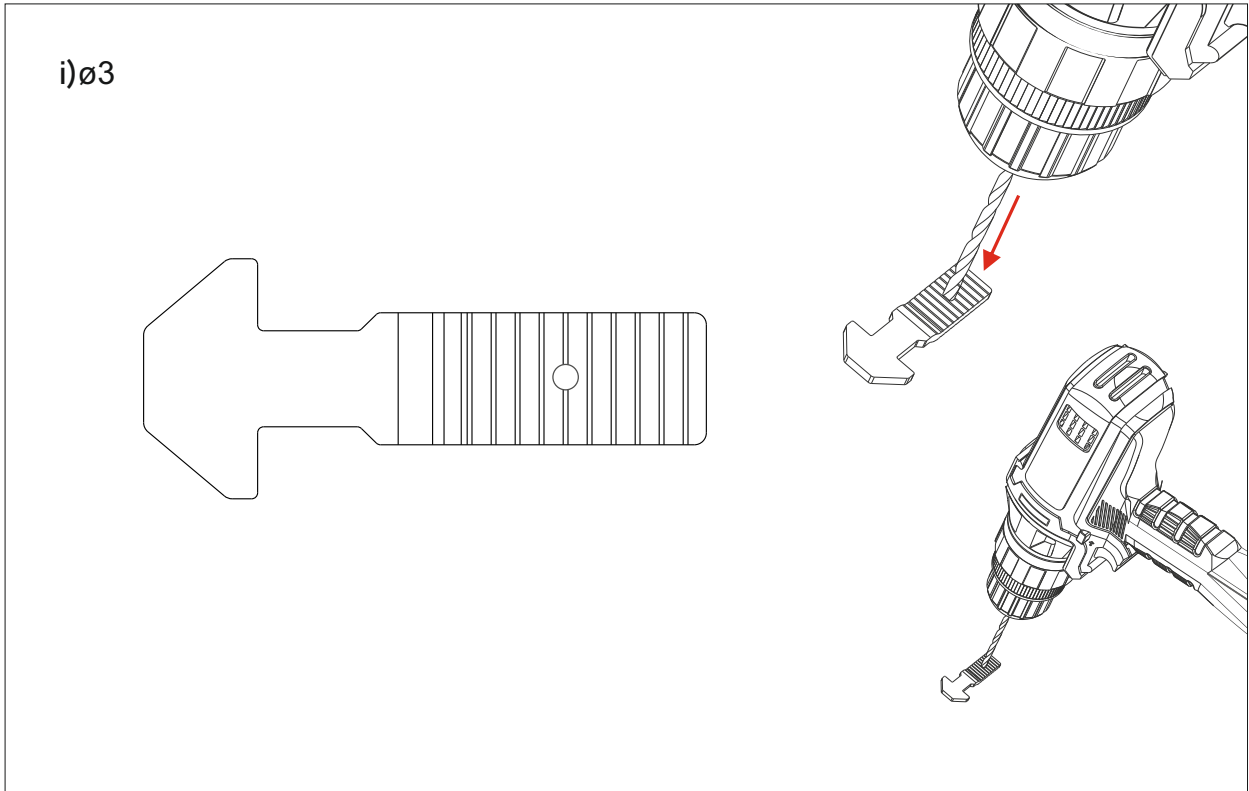
- 4 Mark the catching part, by tightening the setscrew inside it by M3 hex key!



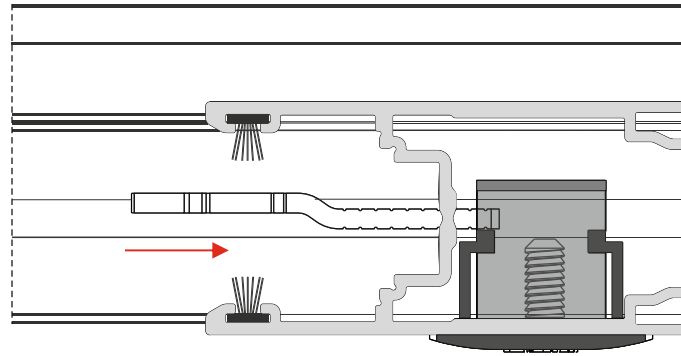
- 5 Loose the catching part to extract it!



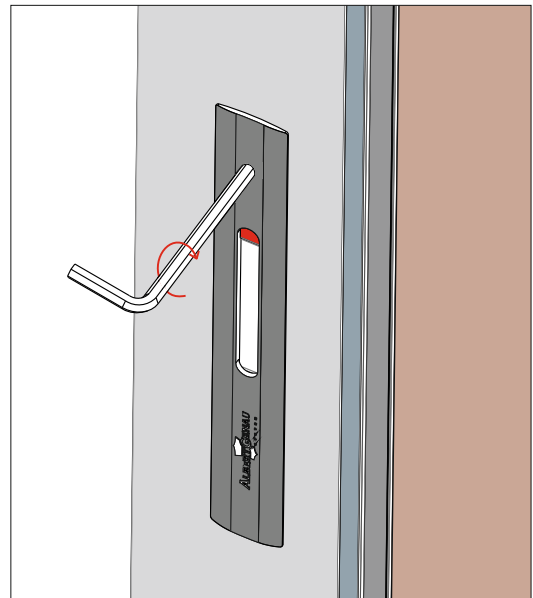
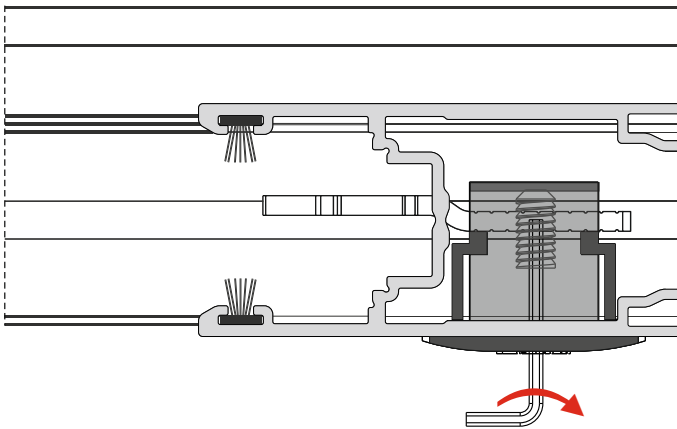
6 Drill the catching part at the marked place !



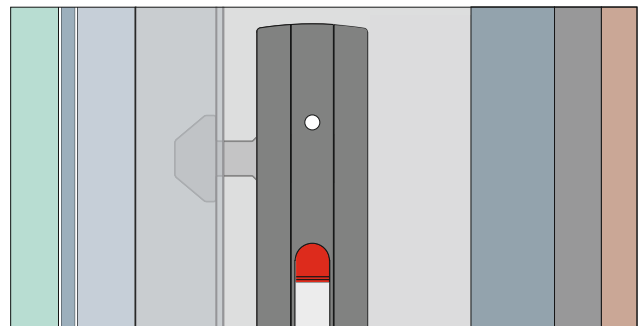
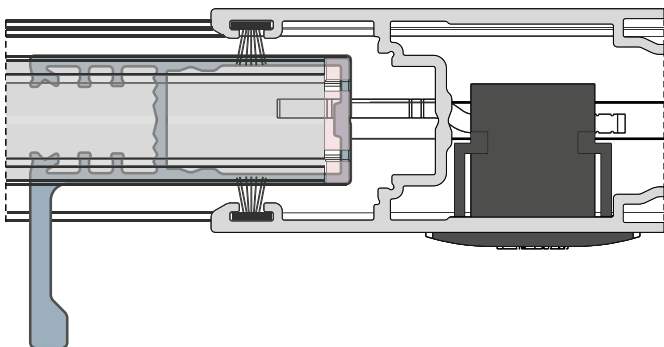
7 Insert the catching part back into the lock!



8 Fasten the setscrew through the drilled hole!



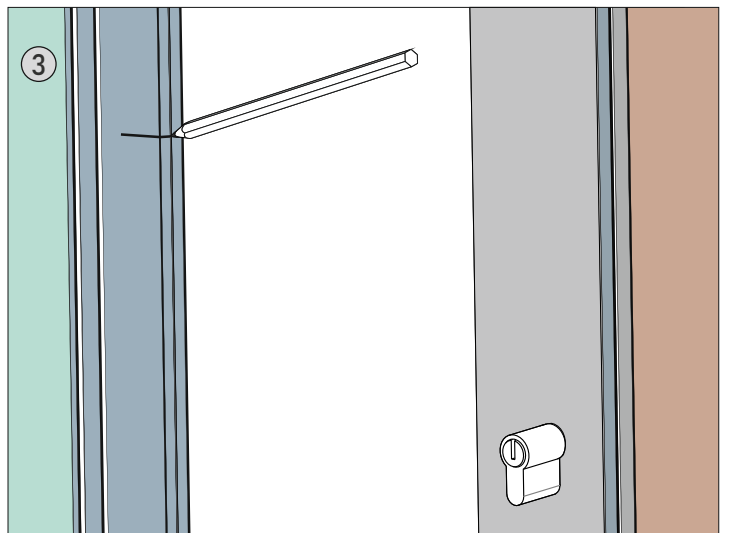
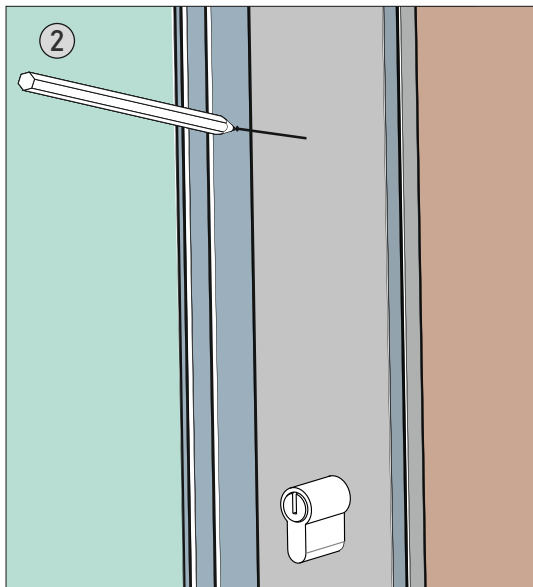
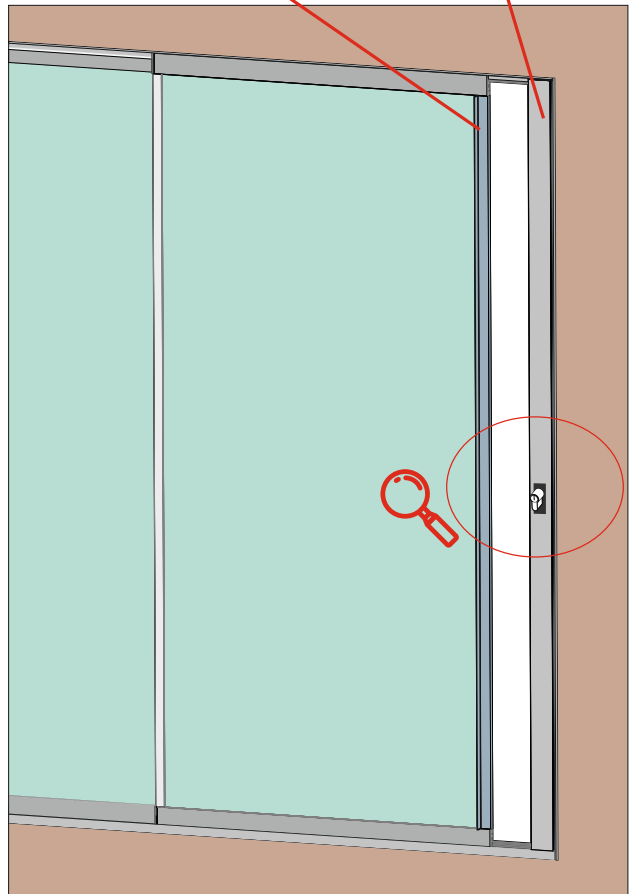
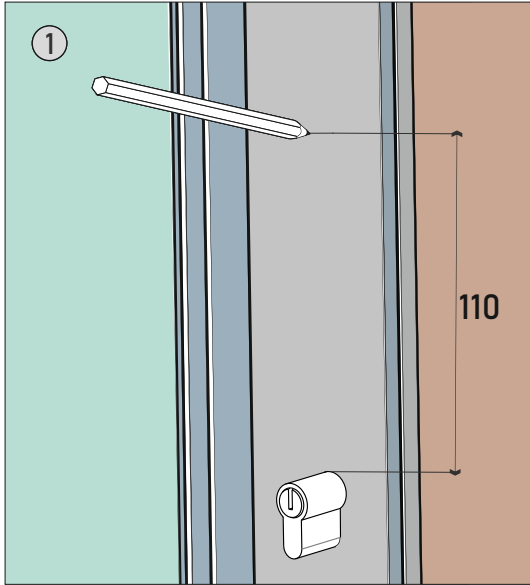
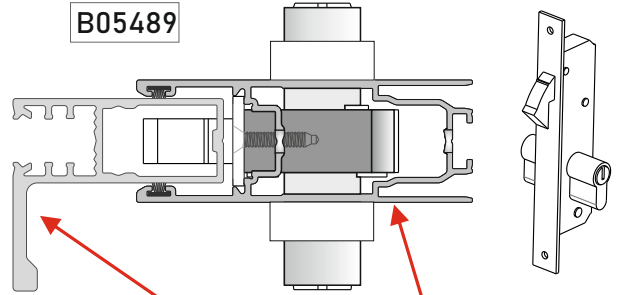
9

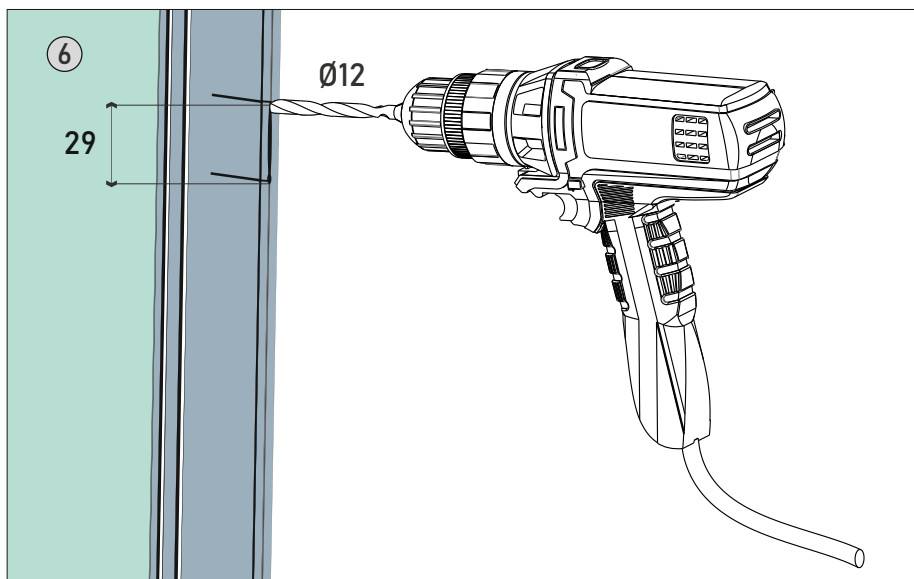
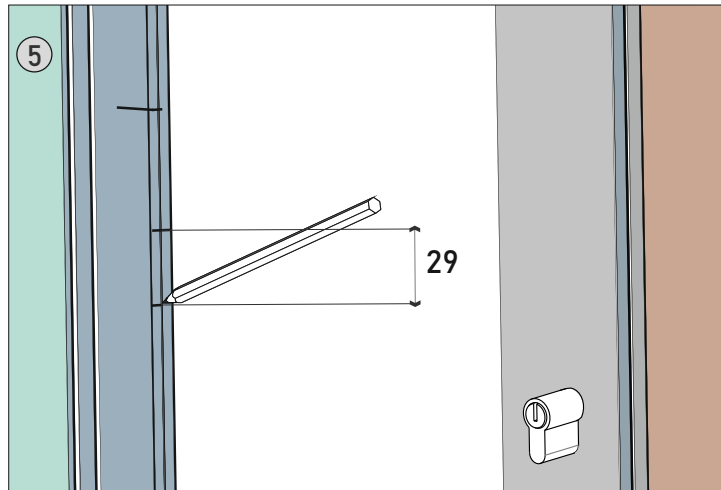
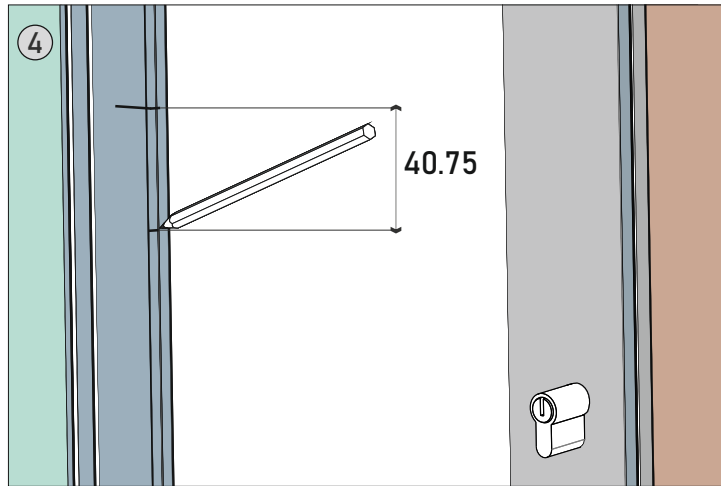


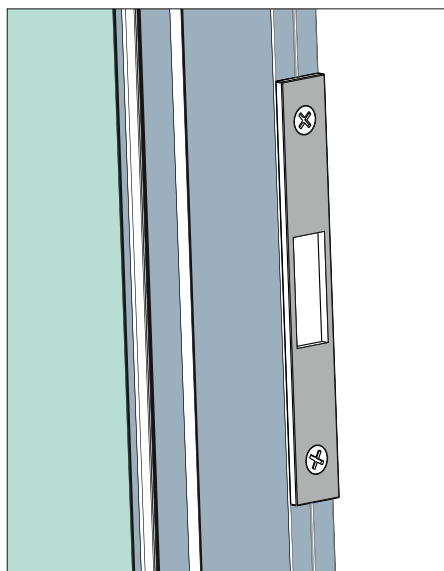
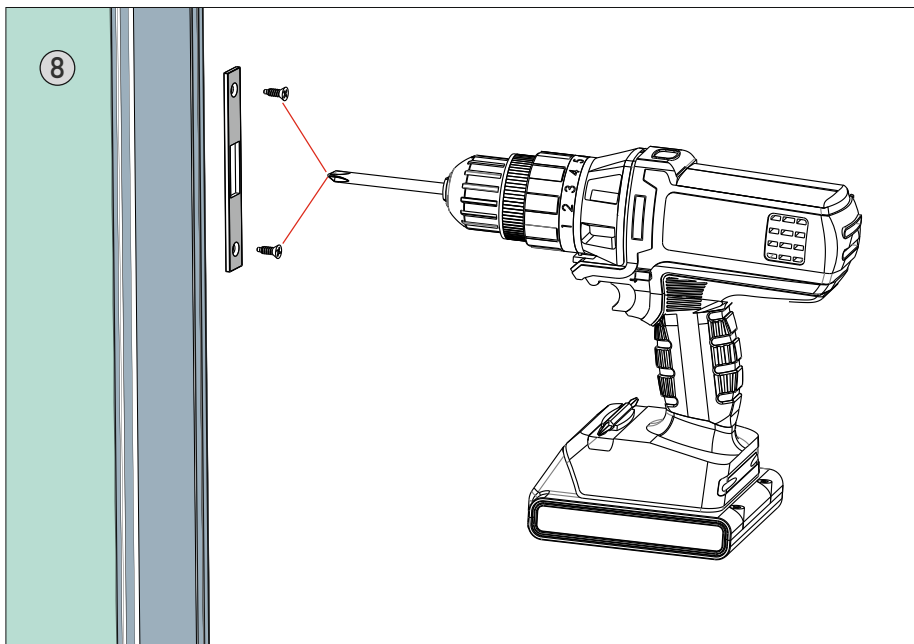
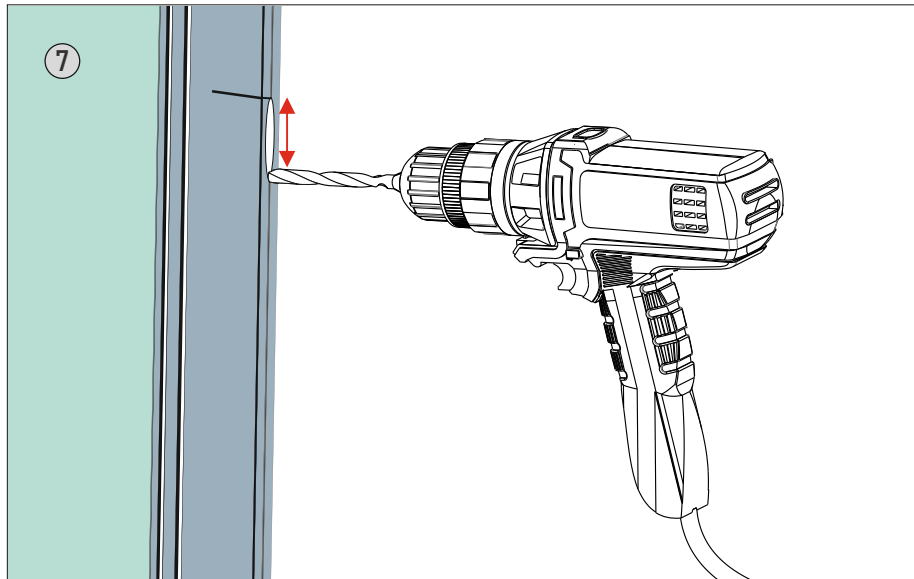
44

Remember from Pg. 63!

B05489



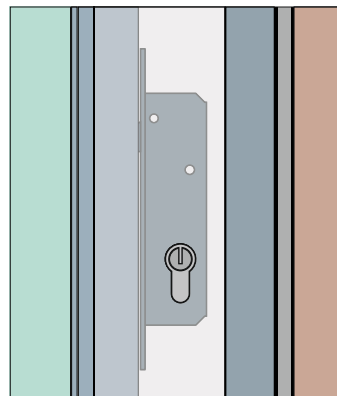
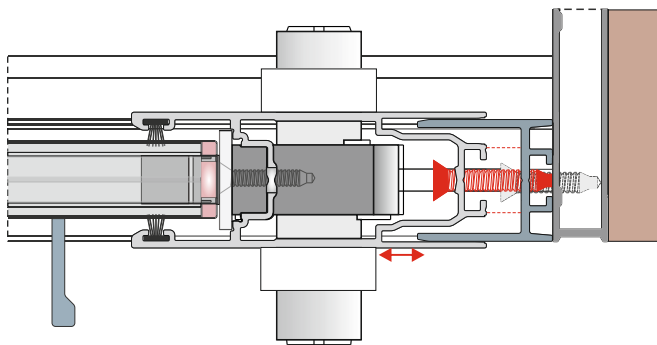
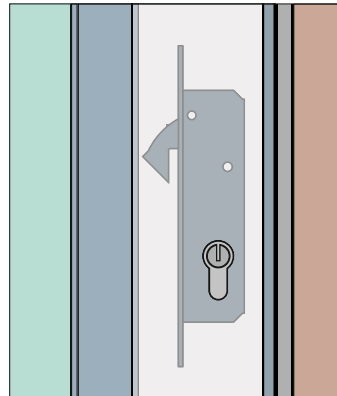
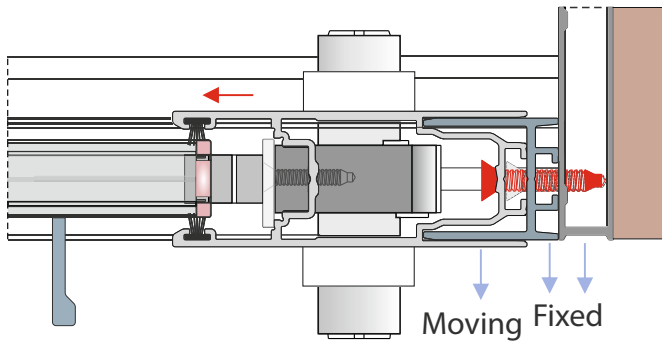




45



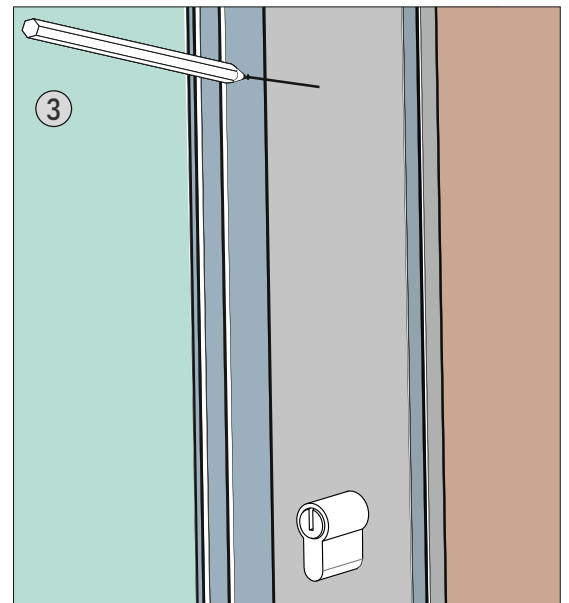
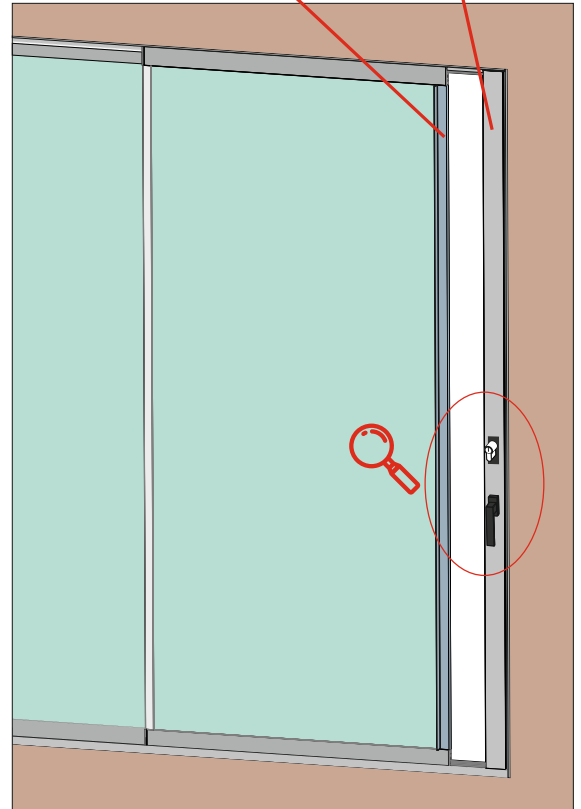
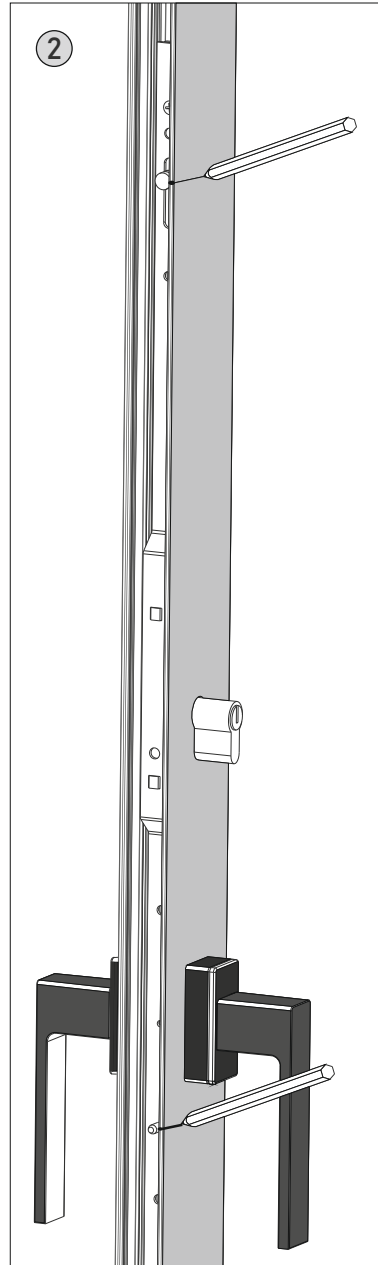
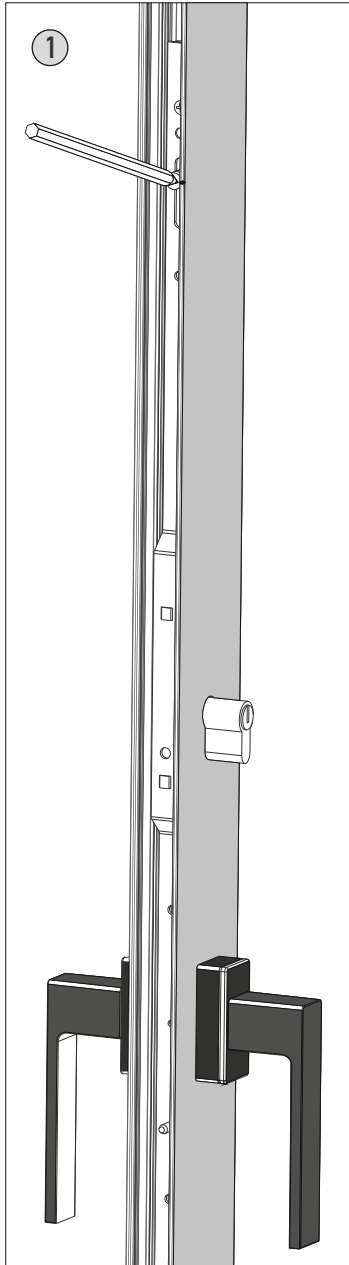
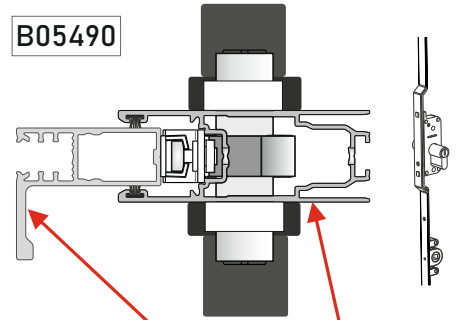
Check for lock strike and glass adjustments!

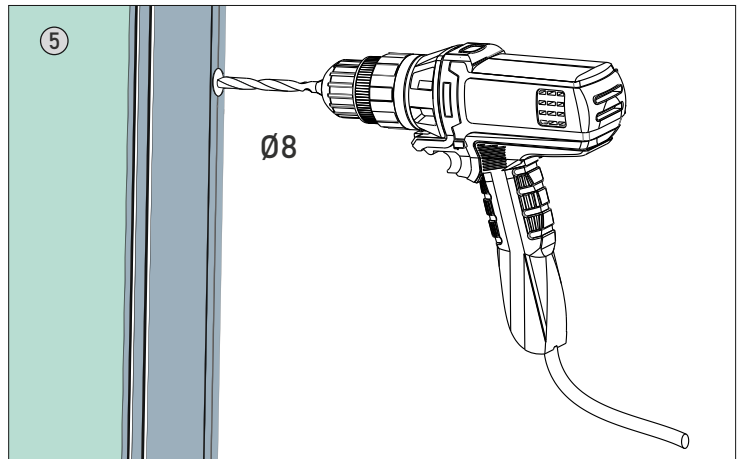
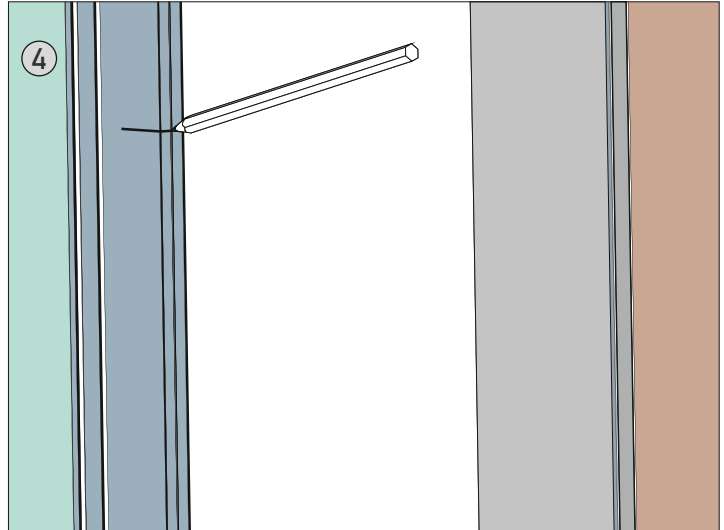
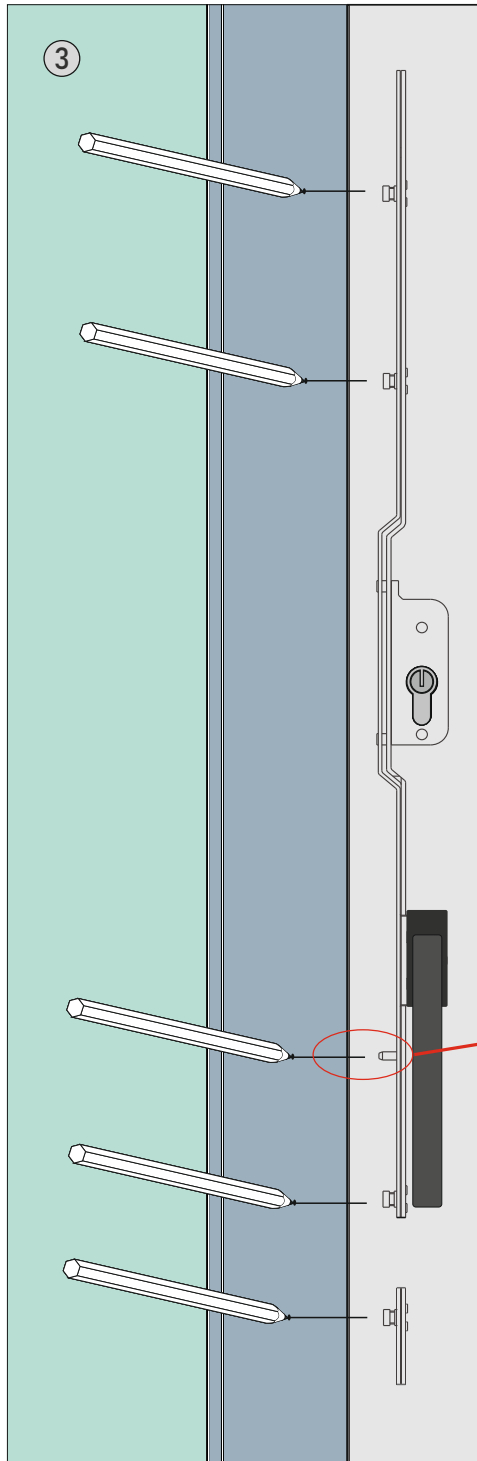


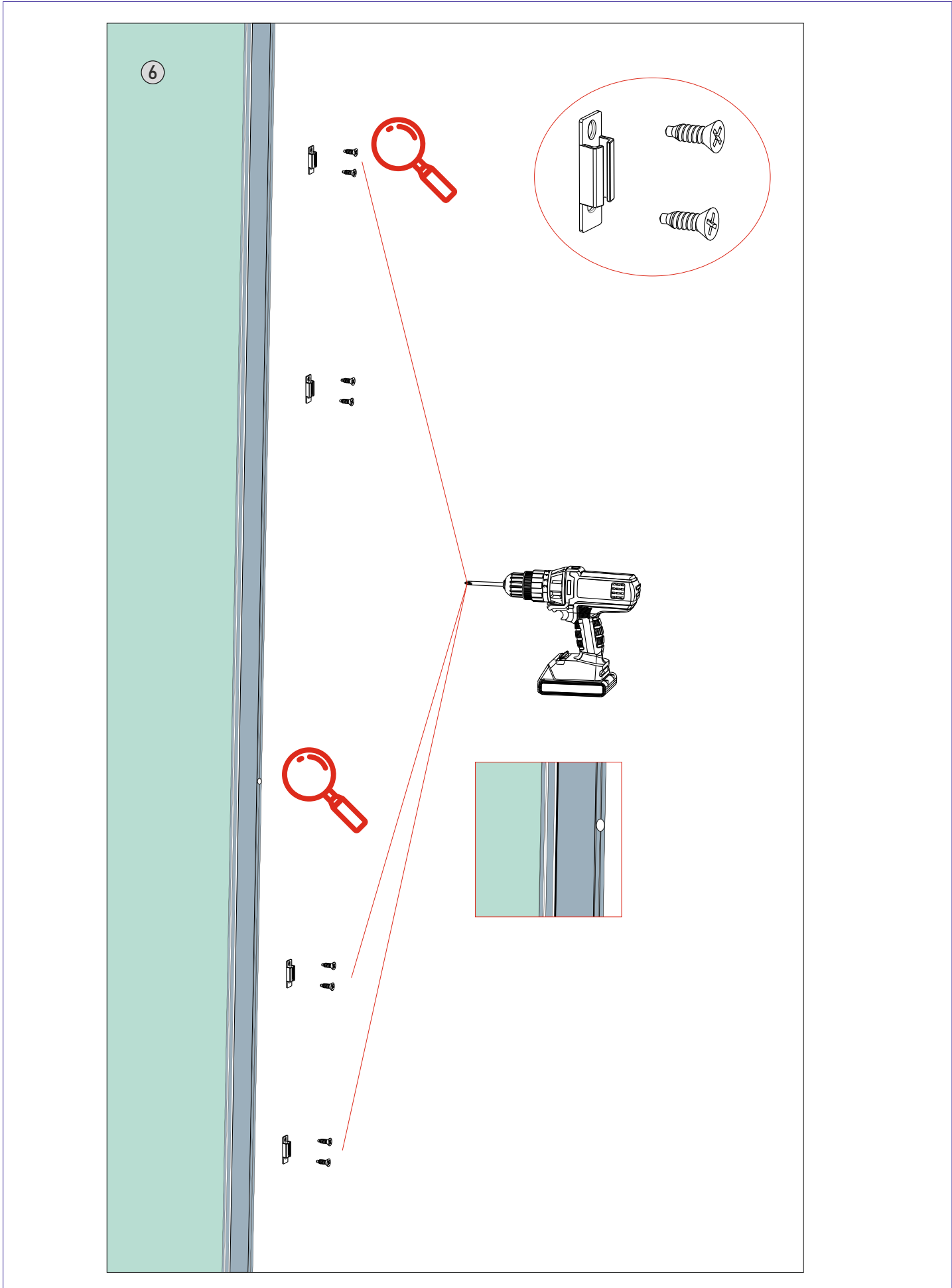
46

Remember from Pg.63!

B05490



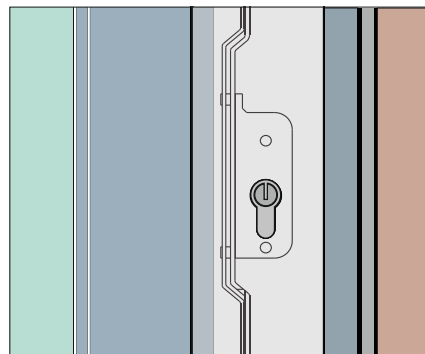
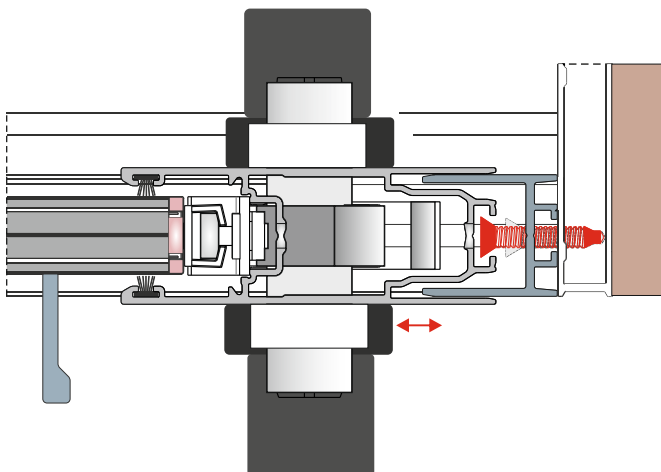
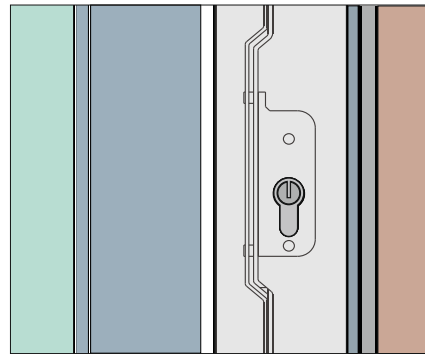
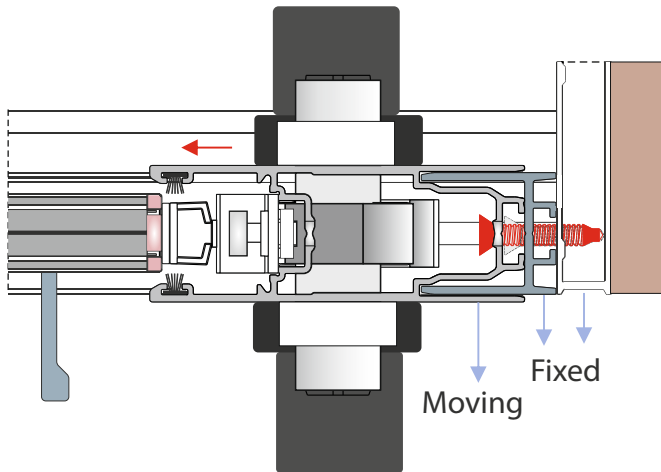




47



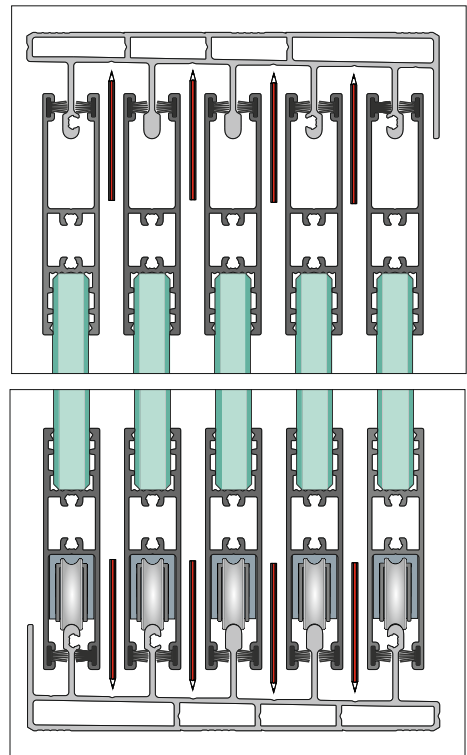
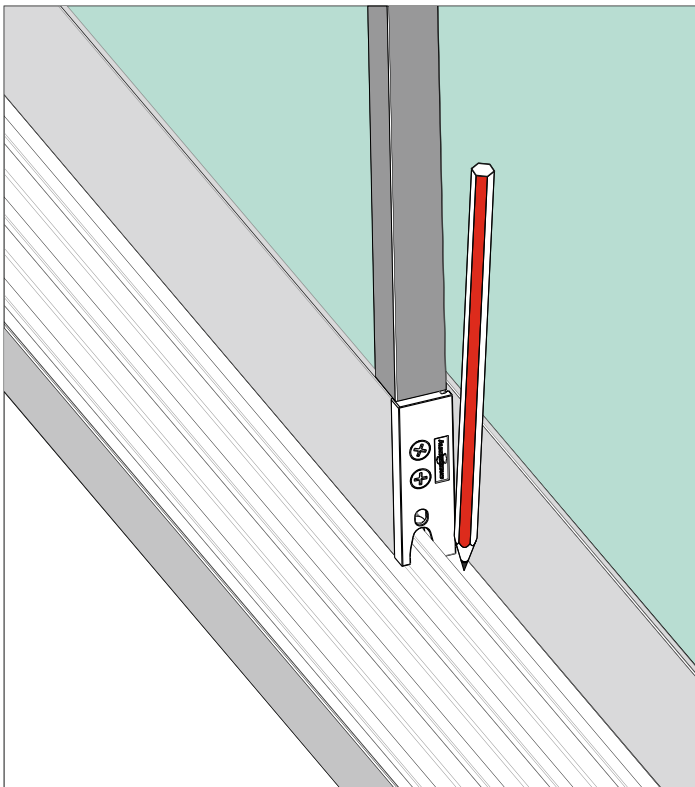
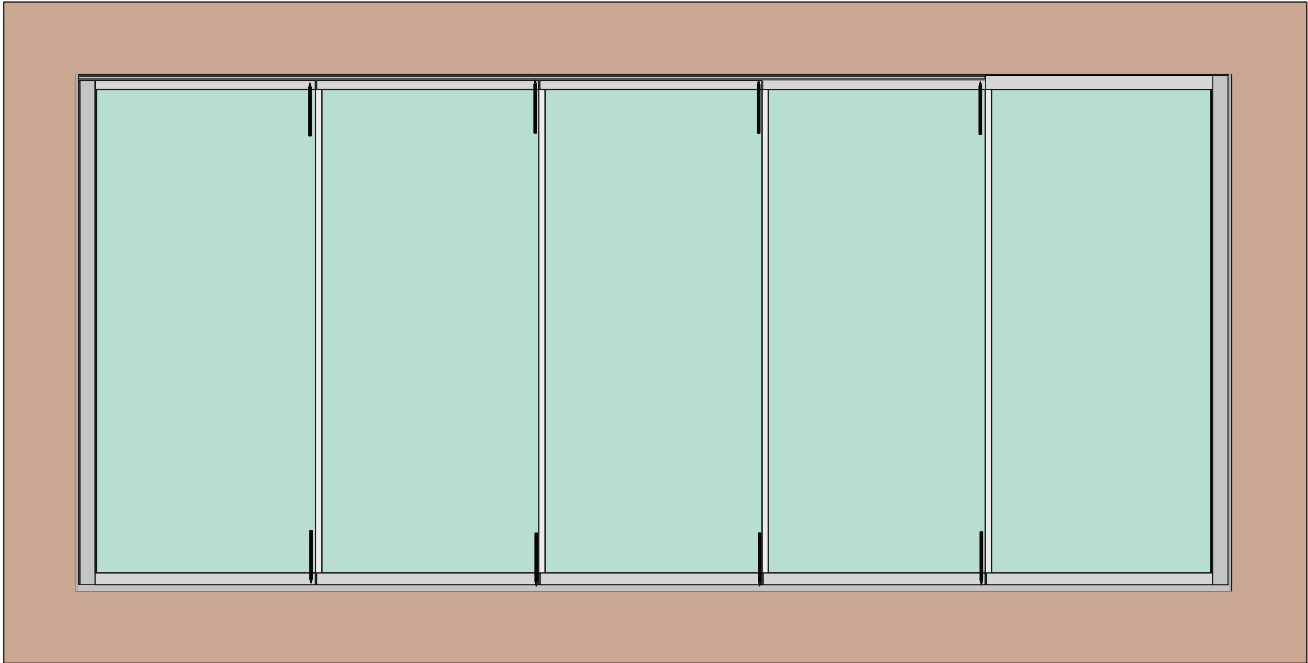
Check for lock strike and glass adjustments!



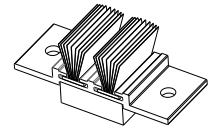
48



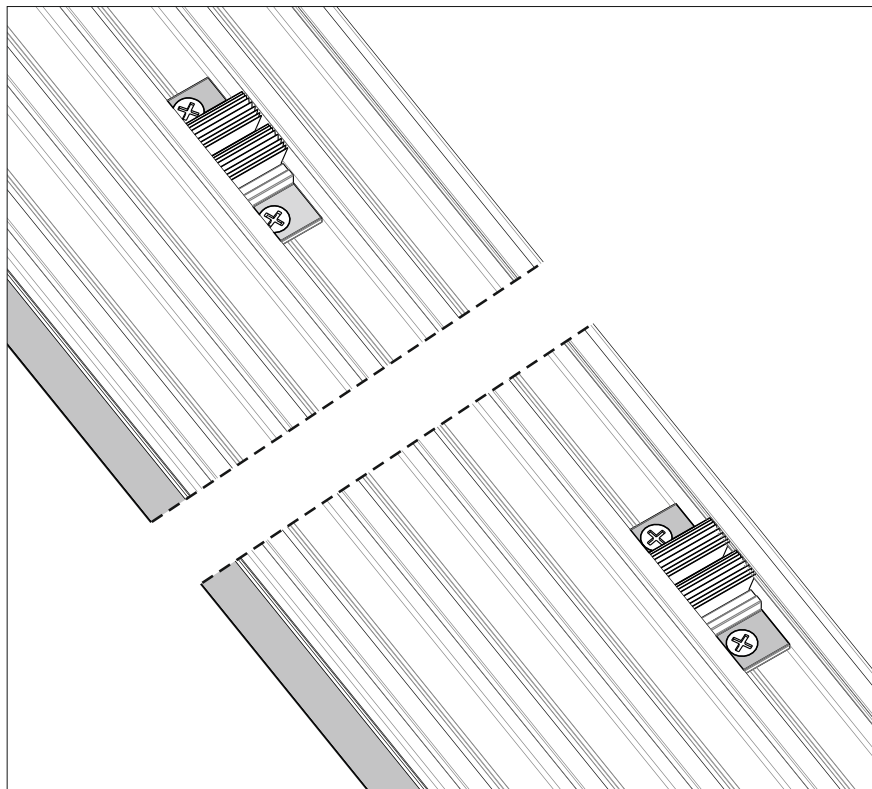
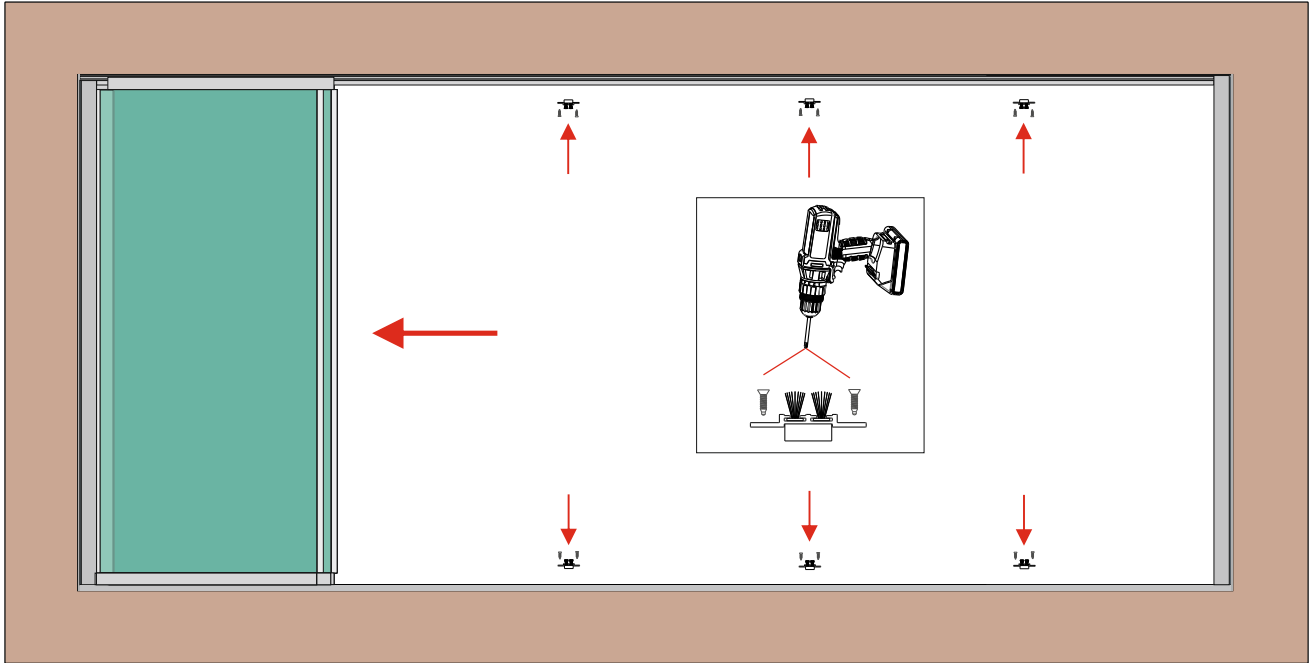
Mark panel intersections!



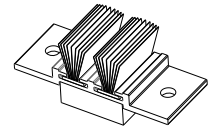
49



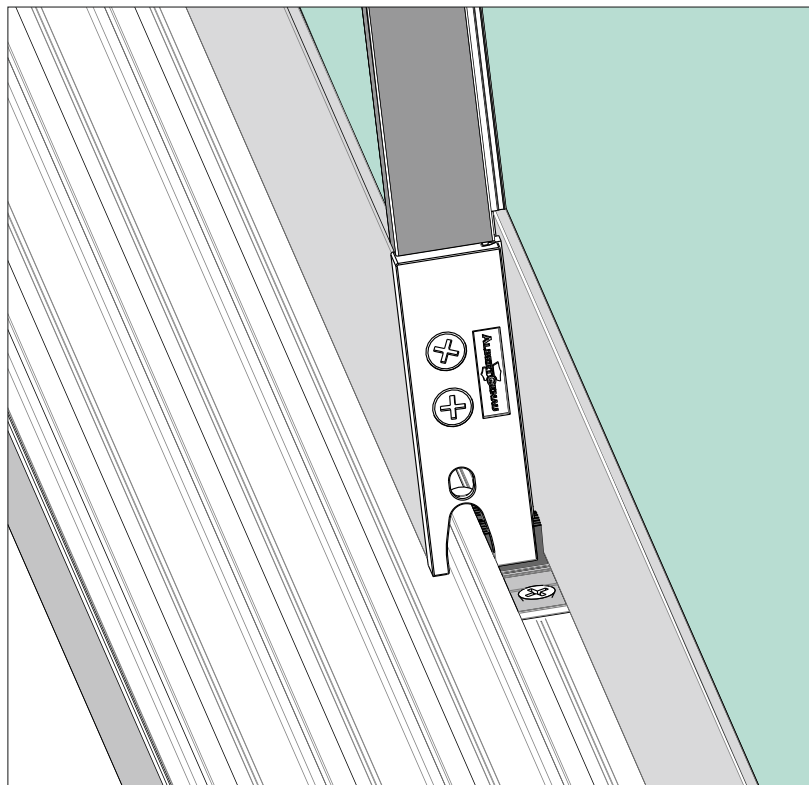
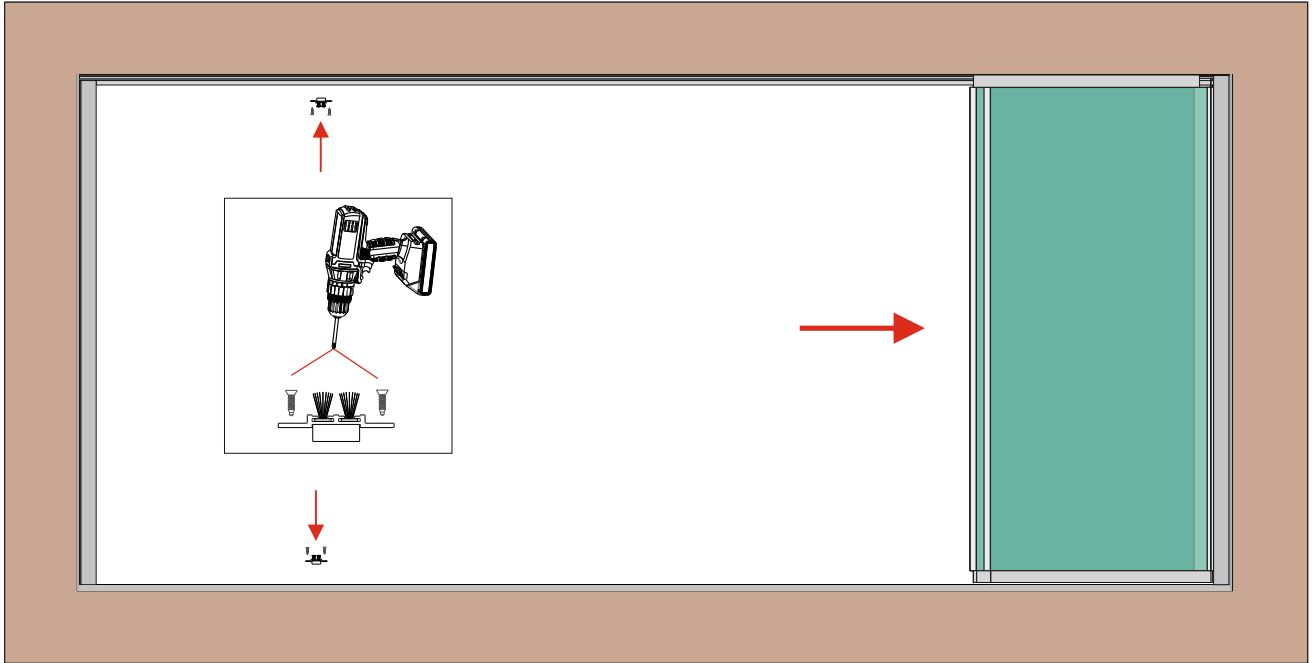
B8502166



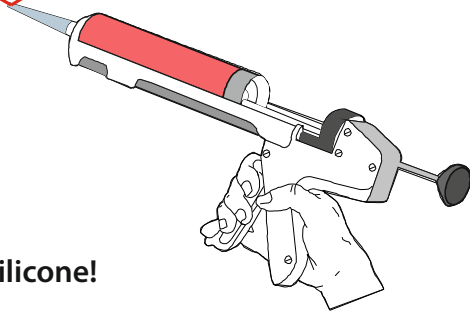
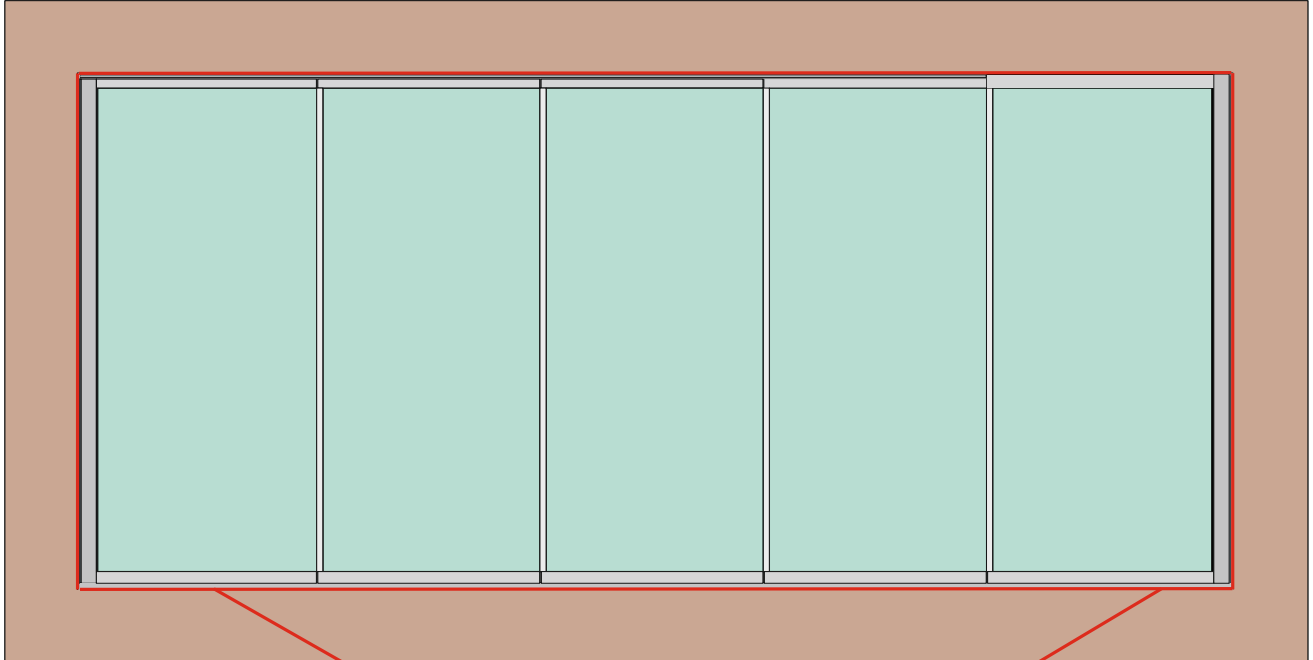
50



B8502166



51



Do not cover water drainage holes with silicone!